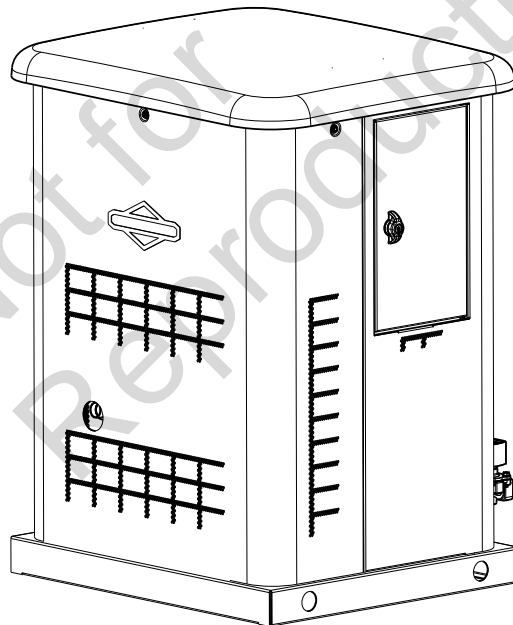




- en Installation and Operation Manual
- es Manual de instalación y operación
- fr Manuel d'installation et d'utilisation

12kW

- en Single Phase Air-Cooled Standby Generator System
- es Generador de reserva monofásico enfriado por aire
- fr Monophasé à refroidissement par air Système de génératrice auxiliaire



This generator is rated in accordance with UL (Underwriters Laboratories) 2200 (stationary engine generator assemblies) and CSA (Canadian Standards Association) standard C22.2 No. 100-14 (motors and generators).



Este generador está clasificado conforme a la norma UL (Underwriters Laboratories) 2200 (grupos generadores de motor fijo) y a la norma CSA (Canadian Standards Association) C22.2 N.º 100-14 (motores y generadores).



Les caractéristiques nominales de cette génératrice sont conformes à la norme 2200 (génératrices à moteur fixe) de UL (Underwriters Laboratories) et à la norme C22.2 No. 100-14 (moteurs et génératrices) de l'ACNOR (Association canadienne de normalisation).

Table of Contents:

California Proposition 65	3	Engine Air Cleaner.....	34
Thank You	3	Exhaust System Maintenance.....	35
Where to Find Us	3	Fuel System Maintenance.....	35
For Future Reference	3	Mixer/Throttle Control Device.....	35
Important Safety Instructions	3	Alarms (Service Code Detection System).....	35
Safety Alert Symbol and Signal Words.....	3	Acknowledge and Reset the Alarms (Service Code Detection System).....	35
Safety Symbols and Meanings.....	3	Electrical System Maintenance.....	36
Safety Messages.....	4	Troubleshooting	38
FCC Part 15 Information To User.....	7	Troubleshooting.....	38
General Information	8	Diagrams and Schematics	40
Equipment Description.....	8	Wiring Diagram and Schematic.....	40
Installer Responsibilities.....	8	Specifications	41
Owner Responsibilities.....	8	Generator Specifications: 12kW.....	41
Installation Factors to Consider.....	8	Engine Specifications.....	41
Delivery Inspection.....	8		
Shipment Contents.....	8		
Generator Placement	9		
Generator Location Considerations.....	9		
Reduce the Risk of Carbon Monoxide Poisoning.....	9		
Reduce The Risk of Fire.....	11		
Other General Location Guidelines.....	13		
Installation	14		
Lifting the Generator.....	14		
Cold Weather Kit.....	14		
Anchoring and Wind Rating.....	14		
Electrical and Fuel Inlet Locations.....	15		
Access Panels.....	16		
Fuel Installation Plan.....	18		
Electrical Field Connections.....	20		
System Control Board.....	24		
Initial Start-Up (No Load)	25		
Operation	27		
Features and Controls - 12kW Generator.....	27		
Important Owner's Considerations.....	28		
Automatic Operation Sequence.....	28		
Setting the Exercise Timer.....	28		
Maintenance	30		
Servicing the System.....	30		
Maintenance Schedule.....	30		
Generator Maintenance.....	30		
Cleaning the Generator.....	30		
Engine Maintenance.....	31		
Changing Engine Oil and Oil Filter.....	32		
Adjust Valve Lash.....	32		
Electronic Governor System.....	33		
Electronic Governing Check.....	33		
Service the Spark Plugs.....	33		

California Proposition 65



WARNING

This product can expose you to chemicals including used engine oil, which is known to the State of California to cause cancer, and carbon monoxide, which is known to the State of California to cause birth defects or other reproductive harm. For more information go to www.P65Warnings.ca.gov.

Thank You

Thank you for purchasing this quality-built Briggs & Stratton® generator. We are pleased that you have placed your confidence in the Briggs & Stratton brand. When operated and maintained according to the instructions in this manual, your generator will provide many years of dependable service.

This manual contains safety information to make you aware of the hazards and risks associated with standby generators and how to avoid them. This product is only for use as an optional generator system which provides an alternate source of electric power and to serve loads such as heating, refrigeration systems, and communication systems that, when stopped during any power outage, could cause discomfort or inconvenience.

SAVE THESE INSTRUCTIONS - This manual contains important instructions that must be obeyed during installation, operation, and maintenance of the generator and batteries.

This generator system requires professional installation before use. The installer must obey the instructions completely.

Where to Find Us

You never have to look far to find support and service for your equipment. There are many authorized service dealers worldwide that provide quality service. You can also contact Customer Service by phone at **800-732-2989** between 8:00 AM and 5:00 PM central time or click on Dealer Locator at www.briggsandstratton.com, which provides a list of authorized dealers.

For Future Reference

Please fill out the information below and keep with your receipt. Have this information at hand if it becomes necessary to contact your installer or authorized dealer regarding service or repair of the unit.

Date of Purchase: _____

Dealer / Retailer: _____

Dealer's / Retailer's Phone Number: _____

GENERATOR:

Model Number: _____

Model Revision: _____

Serial Number: _____

ENGINE:

Model Number: _____


Serial Number: _____

Important Safety Instructions

Every effort has been made to make sure that the information in this manual is accurate and current. However, we reserve the right to change, or improve the product and this document without notification.

The manufacturer cannot possibly anticipate every possible circumstance that can involve a hazard. The warnings in this manual, and the tags and decals affixed to the unit are, therefore, not all-inclusive. If you use a procedure, work method or operating technique that the manufacturer does not recommend, you must satisfy yourself that it is safe for you and others. You must also make sure that the procedure, work method or operating technique that you choose does not render the equipment unsafe.

Safety Alert Symbol and Signal Words

The safety alert symbol  identifies safety information about hazards that can result in personal injury. A signal word (**DANGER**, **WARNING**, or **CAUTION**) is used with the alert symbol to indicate the likelihood and the potential severity of injury. In addition, a hazard symbol may be used to represent the type of hazard.



DANGER indicates a hazard which, if not avoided, **will** result in death or serious injury.




WARNING indicates a hazard which, if not avoided, **could** result in death or serious injury.




CAUTION indicates a hazard which, if not avoided, **could** result in minor or moderate injury.

NOTICE Indicates information considered important but not hazard-related.

Safety Symbols and Meanings


Symbol	Meaning
	Safety alert symbol. Indicates a potential personal injury hazard.

Symbol	Meaning
	Read Manual. Failure to obey warnings, instructions, installation manual, and operator's manual could result in death or serious injury.
	Fire
	Explosion
	Electric Shock
	Toxic Fumes
	Moving Parts
	Wear Eye Protection
	Hazardous Chemical
	Hot Surface
	Rotating Parts
	Crush and Cut
	Explosive Pressure


Symbol	Meaning
	Auto Start

Safety Messages

 **WARNING**


 Failure to read and obey the operator's manual, all warnings, and operating instructions could result in death or serious injury.

 **WARNING**

 Engine exhaust contains carbon monoxide, a poisonous gas that could kill you in minutes. You cannot smell it, see it, or taste it. Even if you do not smell exhaust fumes, you could still be exposed to carbon monoxide gas.


- Operate this product **ONLY** outdoors in an area that will not accumulate deadly exhaust gas.
- Direct exhaust gas away from any windows, doors, ventilation intakes, soffit vents, crawl spaces, open garage doors or other openings that can allow exhaust gas to enter inside or be drawn into a potentially occupied building or structure.
- Carbon monoxide detector(s) **MUST** be installed and maintained indoors according to the manufacturer's instructions/recommendations. Smoke alarms cannot detect carbon monoxide gas.
- If you start to feel sick, dizzy, weak, or your carbon monoxide alarm sounds while using this product, get to fresh air right away. Call emergency services. You may have carbon monoxide poisoning.

 **WARNING**

 Storage batteries give off explosive hydrogen gas during recharging. Slightest spark could ignite hydrogen and cause explosion, resulting in death or serious injury.


- **DO NOT** dispose of battery in a fire. Recycle battery.
- **DO NOT** allow any open flame, spark, heat, or lit cigarette during and for several minutes after charging a battery.

 **WARNING**

 Battery electrolyte fluid contains acid and is extremely caustic. Contact with battery contents could cause severe chemical burns.


- DO NOT open or mutilate the battery
- Wear protective goggles, rubber apron, rubber boots and rubber gloves.
- Immediately wash electrolyte from skin with water.
- If electrolyte contacts eyes, immediately flush with water and seek medical attention.
- Spilled electrolyte is to be washed down with an acid neutralizing agent.

 **WARNING**

 A battery presents a risk of high short circuit current.


- Remove watches, rings, or other metal objects.
- Use tools having insulated handles.
- Disconnect charging source prior to connecting or disconnecting battery terminals.
- Do not lay tools or metal parts on top of batteries.
- Disconnect the negative (-) cable at the battery during installation and maintenance.

 **WARNING**

 Failure to isolate generator from utility power could result in death or serious injury to electric utility workers due to backfeed of electrical energy.


- Use a listed transfer switch to connect to a building electrical system.

 **WARNING**

 Generator and utility voltage could cause electrical shock or burn resulting in death or serious injury.


- Installation must be performed by a licensed professional.
- Disconnect all sources of electricity before installing or servicing equipment.
- Ground system before applying power.

 **WARNING**

 Hazardous Voltage - Installing low and high voltage wire in same conduit could cause electric shock or burns, resulting in death or serious injury.


- Do not run low and high voltage wire in the same conduit unless the insulation rating on ALL wiring is rated for 600V. See NFPA 70 for more information.

 **WARNING**

 Exhaust heat/gases could ignite combustibles or structures resulting in death or serious injury.



- Exhaust outlet of enclosure must have at least 5 ft. (1.5m) minimum clearance from any structure, shrubs, trees, or any kind of vegetation.
- Enclosure must be at least 5 ft (1.5m) from windows, doors, any wall opening, shrubs, or vegetation over 12 inches (30.5 cm) in height.
- Enclosure must have a minimum of 5 ft. (1.5 m) overhead clearance from any structure, overhang, or trees.
- DO NOT place enclosure under a deck or other type of structure that may confine airflow.
- Smoke detector(s) MUST be installed and maintained indoors according to the manufacturer's instructions. Carbon monoxide alarms cannot detect smoke.
- Do not place enclosure in a manner other than shown in illustrations.

 **WARNING**

 Exhaust heat/gases could ignite combustibles causing a fire, resulting in death or serious injury.


- Remove all combustible materials from in and around the generator compartment.

 **WARNING**

  Gaseous vapors are extremely flammable and explosive. Fire or explosion can cause severe burns or death.


- Never start and run the engine with the air cleaner assembly (if equipped) or the air filter (if equipped) removed.

 **WARNING**

 With the battery connected, the generator may crank and start without warning resulting in death or serious injury.


- Do not connect the negative (-) cable at the battery until the installation is complete.

 **WARNING**

 With the battery connected, the generator may crank and start without warning resulting in death or serious injury.


- Before servicing, stop the generator and disconnect the negative (-) cable at the battery.

 **WARNING**

 Hazardous Voltage - Contact with power lines could cause electric shock or burns, resulting in death or serious injury.


- If lifting or hoisting equipment is used, DO NOT contact any power lines.
- DO NOT lift or move generator without assistance.

 **WARNING**

 Propane and Natural Gas are extremely flammable and explosive, which could cause burns, fire or explosion resulting in death or serious injury.


- Installation must be performed by a licensed professional.
- Install the fuel supply system according to NFPA 37 and other applicable fuel-gas codes.
- Before placing the generator into service, the fuel system lines must be properly purged and leak tested.
- NO leakage is permitted.
- DO NOT operate engine if smell of fuel is present.

 **WARNING**

 Propane and Natural Gas are extremely flammable and explosive, which could cause burns, fire or explosion resulting in death or serious injury.


- The generator is equipped with an automatic safety gas fuel shut-off valve.
- DO NOT operate the equipment if the fuel shut-off valve is missing or inoperative.

 **WARNING**

 Propane and Natural Gas are extremely flammable and explosive, which could cause burns, fire or explosion resulting in death or serious injury.


- LP gas is heavier than air and will settle in low areas.
- Natural gas is lighter than air and will collect in high areas.
- The slightest spark could ignite these fuels and cause an explosion.
- DO NOT light a cigarette or smoke.

 **WARNING**

 Propane and Natural Gas are extremely flammable and explosive, which could cause burns, fire or explosion resulting in death or serious injury.

- Inspect the fuel system periodically.
- NO leakage is permitted.
- DO NOT operate engine if smell of fuel is present.

 **WARNING**

 Generator and utility voltage could cause electrical shock or burn resulting in death or serious injury.

- DO NOT allow unqualified persons to operate or service this equipment.

 **WARNING**

Unintentional sparking could cause fire or electric shock resulting in death or serious injury.

WHEN ADJUSTING OR MAKING REPAIRS TO YOUR GENERATOR

- Disconnect the spark plug wire from the spark plug and place the wire where it cannot contact spark plug.

WHEN TESTING FOR ENGINE SPARK

- Use approved spark plug tester.
- DO NOT check for spark with spark plug removed.

NOTICE Improper treatment of generator could damage it and shorten its life.

- Use generator only for intended uses.
- If you have questions about intended use, contact your authorized dealer.
- Operate generator only on level surfaces.
- Adequate, unobstructed flow of cooling and ventilating air is critical to correct generator operation.
- The access panels/doors must be installed whenever the unit is running.
- DO NOT expose generator to excessive moisture, dust, dirt, or corrosive vapors.
- Remain alert at all times while working on this equipment. Never work on the equipment when you are physically or mentally fatigued.
- DO NOT insert any objects through cooling slots.
- DO NOT use the generator or any of its parts as a step. Stepping on the unit could cause stress and break parts. This may result in dangerous operating conditions from leaking exhaust gases, fuel leakage, oil leakage, etc.
- Shut off generator if:
 - electrical output is lost.
 - equipment sparks, smokes, or emits flames.
 - unit vibrates excessively or makes unusual noises.

FCC Part 15 Information To User

Pursuant to part 15.21 of the FCC Rules, you are cautioned that changes or modifications to the product not expressly approved by Briggs & Stratton could void your authority to operate the product.

This device complies with part 15 of the FCC Rules.

Operation is subject to the following two conditions: (1) This device may not cause harmful interference, and (2) this device must accept any interference received, including interference that may cause undesired operation.

This equipment has been tested and found to comply with the limits for a Class B digital device, pursuant to part 15 of the FCC Rules. These limits are designed to provide reasonable protection against harmful interference in a residential installation. This equipment generates, uses and can radiate radio frequency energy and, if not installed and used in accordance with the instructions, may cause harmful interference to radio communications. However, there is no guarantee that interference will not occur in a particular installation. If this equipment does cause harmful interference to radio or television reception, which can be determined by turning the equipment off and on, the user is encouraged to try to correct the interference by one or more of the following measures:

- Reorient or relocate the receiving antenna.
- Increase the separation between the equipment and receiver.
- Connect the equipment into an outlet on a circuit different from that to which the receiver is connected.
- Consult the dealer or an experienced radio/TV technician for help.

General Information

For most applications, this manual contains the information necessary for the correct installation, operation, and maintenance of the equipment. All efforts have been made to make sure that the information in this manual is accurate and current. We reserve the right to change the product and this document without notification.

Equipment Description

NOTICE This product does NOT qualify for either an emergency standby or legally required standby system as defined by NFPA 70 (NEC).

- Emergency generator systems are intended to automatically supply illumination, power, or both, to designated areas and equipment in the event of failure of the normal supply. Emergency systems can also provide power for such functions as ventilation where essential to maintain life, where current interruption of the normal supply would produce serious life safety or health hazards.
- Legally Required standby generator systems are intended to automatically supply power to selected loads in the event of failure of the normal source which can create hazards or hamper rescue or fire-fighting operations.

Installer Responsibilities

- Read and obey the safety instructions.
- Install only a NRTL-approved transfer switch that is compatible with the generator.
- Read and obey the instructions in this Installation and Operation Manual.
- Installation must strictly comply with all applicable codes, industry standards, laws, and regulations.
- Allow sufficient room on all sides of the generator for maintenance and service.
- Discuss the generator placement with owner.
- Make sure that ALL manuals are given to the owner after the installation has been completed.

Owner Responsibilities

- Read and obey the instructions in this Installation and Operation Manual.
- Follow a regular schedule for maintaining and using the generator, as specified in this manual.
- Carbon monoxide detector(s) MUST be installed and maintained indoors according to the manufacturer's instructions and recommendations. Smoke alarms cannot detect carbon monoxide gas.
- Smoke detector(s) MUST be installed and maintained indoors according to the manufacturer's instructions and recommendations. Carbon monoxide alarms cannot detect smoke.

Installation Factors to Consider

The illustrations shown in this manual are for typical circumstances. They are meant to familiarize you with the installation options available for the generator.

Federal and local codes, appearance, noise levels, fuel types, and distances are installation factors that must be considered. Remember that, as the distance increases from the existing electrical service and gaseous fuel supply, and the number of bends in the fuel supply increases, compensations must be made for piping and wiring materials. This is necessary to comply with local codes and overcome electrical voltage drops and gaseous fuel pressure drops.

Delivery Inspection

Avoid damage from dropping, bumping, or collision with the shipping carton.

After removing the carton, carefully inspect the generator for any damage that may have occurred during shipment.

If loss or damage is found at the time of delivery, have the person(s) making the delivery notate the loss or damage on the freight bill and affix his signature under the consignor's memo of loss or damage. If the loss or damage is notated after delivery, separate the damaged materials and then contact the carrier for claim procedures. Missing or damaged parts are not warranted.

Shipment Contents

The generator system is supplied with:

- Oil (5W30 Synthetic)
- Flexible fuel line
- Quick Operation Manual
- Product and emissions warranty booklet
- 2 access keys
- 15 Amp ATO-type fuse
- Battery tie-down strap
- Tamper proof plug
- Qty (2) 1/4-20 Screws (to achieve a 140-175 mph wind rating).
- 4 lifting hole caps
- Touch up paint


Not included (You will need):

- Carbon monoxide detector(s)
- Smoke detector(s)
- Starting battery
- Connecting wire and conduit
- Fuel supply valves/plumbing
- Crane, lifting straps, chains or cables
- Two 60" (152cm) lengths of 3/4" (1.9cm) nominal minimum Schedule 40 steel pipe (NOT conduit)
- Torque screwdriver, 5 to 50 inch-pound range
- Multi-meter

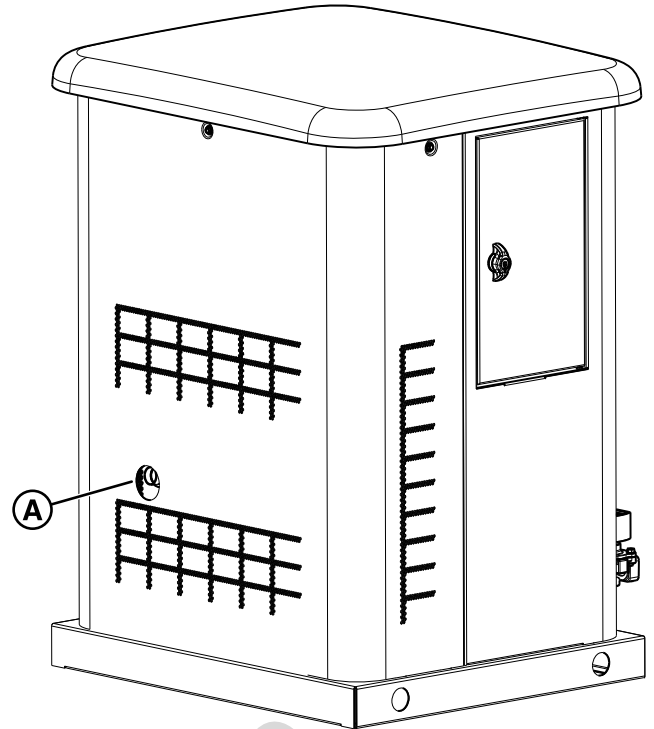
Generator Placement

Before installing the generator, consult with the owner and convey the following requirements, which must be satisfied before the installation is complete. There are two equally important safety concerns in regards to carbon monoxide poisoning and fire. There are also several general location guidelines that must be met before the installation is considered complete.



 Engine exhaust contains carbon monoxide, a poisonous gas that could kill you in minutes. You cannot smell it, see it, or taste it. Even if you do not smell exhaust fumes, you could still be exposed to carbon monoxide gas.

- Operate this product **ONLY** outdoors in an area that will not accumulate deadly exhaust gas.
- Direct exhaust gas away from any windows, doors, ventilation intakes, soffit vents, crawl spaces, open garage doors or other openings that can allow exhaust gas to enter inside or be drawn into a potentially occupied building or structure.
- Carbon monoxide detector(s) **MUST** be installed and maintained indoors according to the manufacturer's instructions/recommendations. Smoke alarms cannot detect carbon monoxide gas.
- If you start to feel sick, dizzy, weak, or your carbon monoxide alarm sounds while using this product, get to fresh air right away. Call emergency services. You may have carbon monoxide poisoning.



(A) Exhaust outlet side of enclosure.

Generator Location Considerations

The installation location of the generator has a direct effect on:

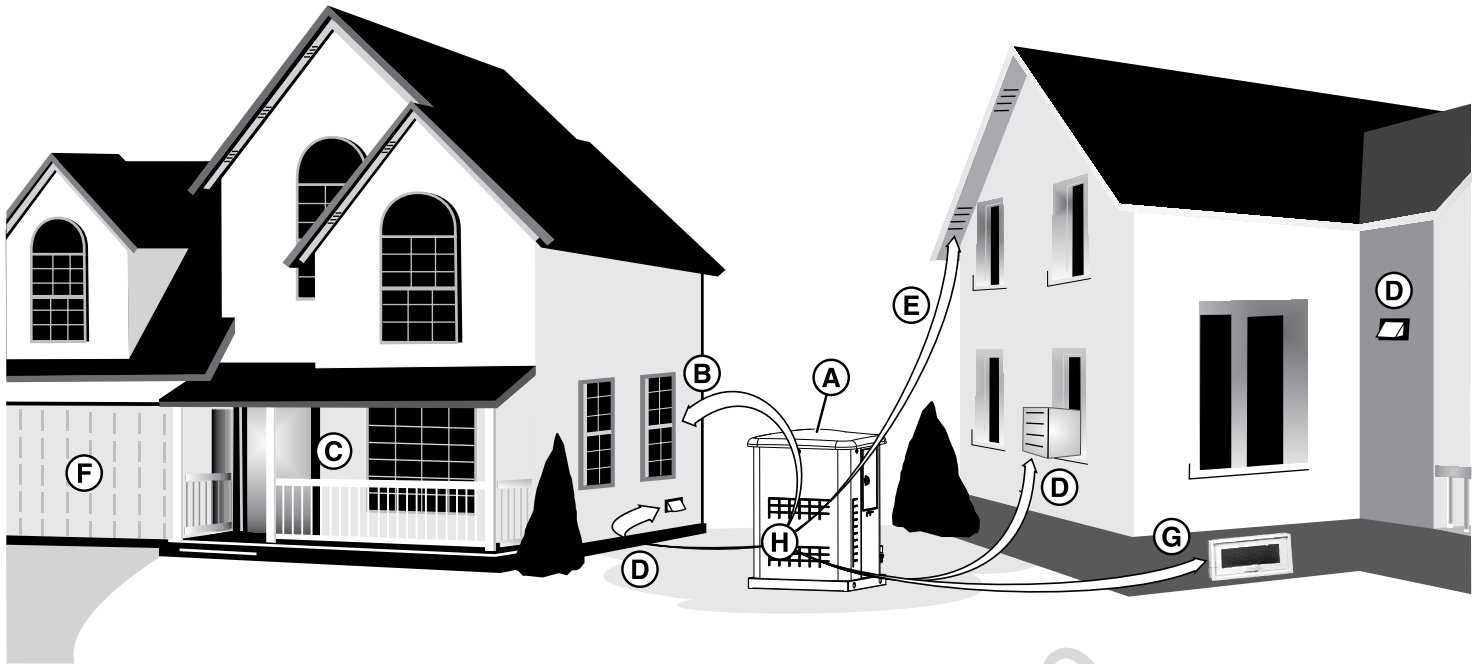
1. The amount and size of the plumbing required to fuel the generator.
2. The amount and size of the wiring required to control and connect the generator.
3. The safety of the installation regarding exhaust gas and carbon monoxide hazards, fire risks, proximity to other utilities, and exposure to weather elements.

Specific location guidelines are discussed in the next section. The owner and installer must consult one another to determine how the site can affect installation costs and compliance with local codes and standards.

There are two critical safety concerns to be addressed - carbon monoxide poisoning and the risk of fire, as follows:

Reduce the Risk of Carbon Monoxide Poisoning

The arrows and the lettered call-outs in the figure below point out potential points of entry for Carbon Monoxide Gas.



All fossil fuel burning equipment, such as standby generators (A), contains carbon monoxide (CO) gas in the engine exhaust. CO gas is odorless, colorless and tasteless and is unlikely to be noticed until a person is overcome. CO gas can kill you, so it is required that the following is included as part of the installation.

- Install the generator (A) outdoors in an area that will not accumulate deadly exhaust gas (H).
- DO NOT install the generator (A) where exhaust gas (H) can accumulate and enter inside or be drawn into a potentially occupied building or structure.
- In many states it is required by law to have a Carbon Monoxide (CO) detector that works in your home. Carbon monoxide detector(s) MUST be installed and maintained indoors according to the manufacturer's instructions / recommendations. A CO detector is an electronic device that detects hazardous levels of CO. When there is a buildup of CO, the detector will alert the occupants with an alarm and by flashing a visual indicator light. Smoke alarms cannot detect CO gas.
- Your neighbor(s) home can be exposed to the engine exhaust (H) from your standby generator (A) and must be considered when installing your standby generator.
- Make sure exhaust gas (H) is kept away from:

(B) Windows

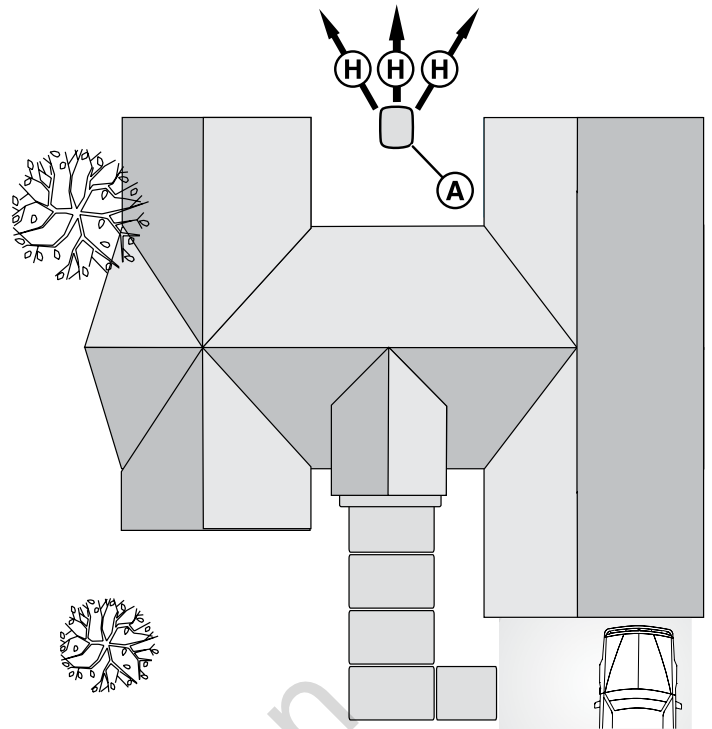
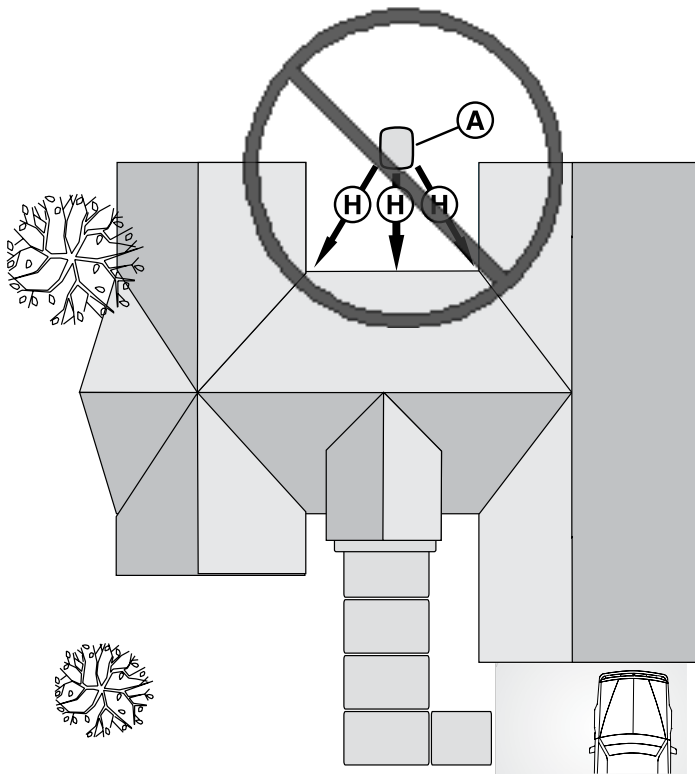
(C) Doors

(D) Ventilation Intakes

(E) Soffit Vents

(F) Garage Doors

(G) Crawl spaces or other openings that can allow exhaust gas to enter inside or be drawn into a potentially occupied building or structure.




- Nearby structures may be exposed to the engine exhaust (H) from the generator (A) and must be considered when installing the standby generator.
- Wind and air currents should be taken into consideration when positioning the generator (A). Place the generator in an area where winds will carry the exhaust gas away from any potentially occupied building or structure.
- DO NOT place the standby generator (A) in an area where leaves or debris can accumulate.

Reduce The Risk of Fire

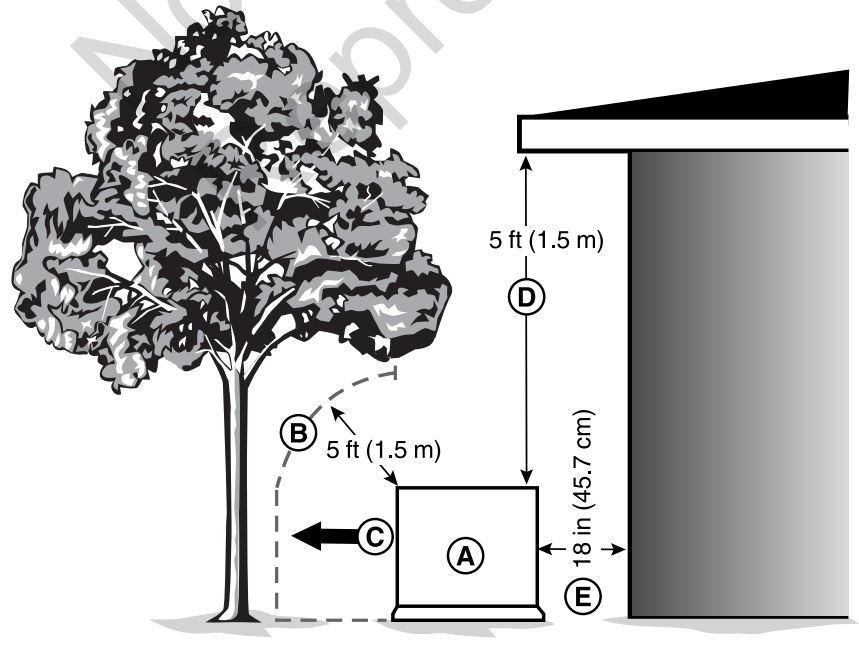
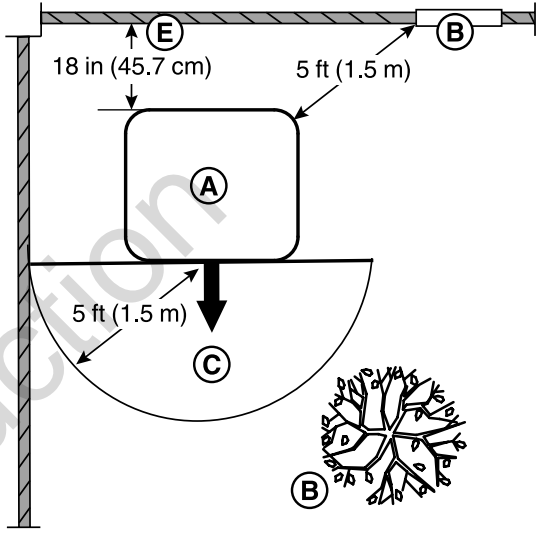
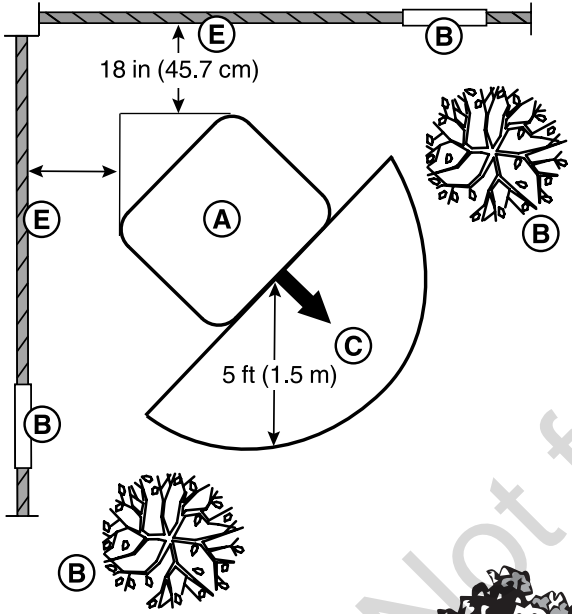
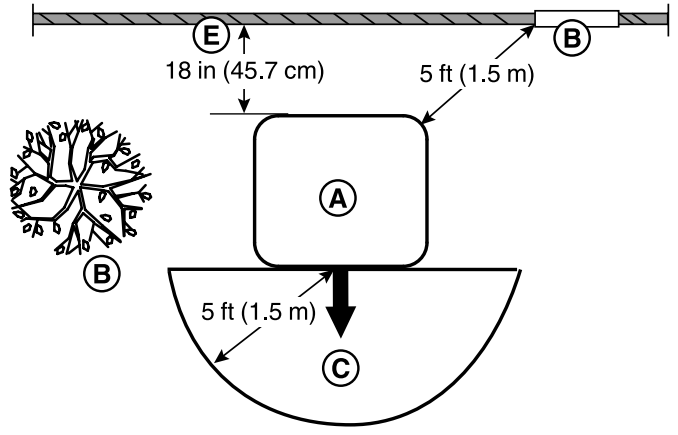
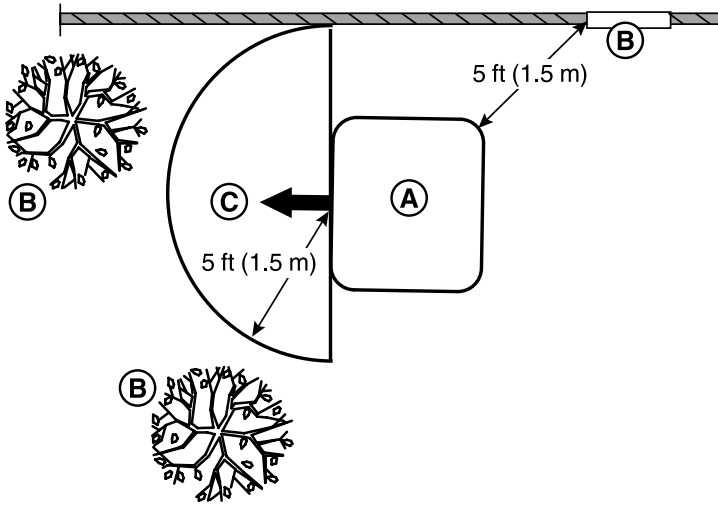
Obey the installation requirements listed below. The figures below illustrate the minimum distances from structures and vegetation to reduce the risk of fire.

The National Fire Protection Association (NFPA) standard NFPA 37 establishes criteria for minimizing the hazard of fire during the installation and operation of stationary combustion engines. NFPA 37 limits the spacing of an enclosed generator from openings in walls, structures and combustible materials outside the enclosure. The following generator placement requirements are based on compliance to NFPA 37.

WARNING

 Exhaust heat/gases could ignite combustibles or structures resulting in death or serious injury.

- Exhaust outlet of enclosure must have at least 5 ft. (1.5m) minimum clearance from any structure, shrubs, trees, or any kind of vegetation.
- Enclosure must be at least 5 ft (1.5m) from windows, doors, any wall opening, shrubs, or vegetation over 12 inches (30.5 cm) in height.
- Enclosure must have a minimum of 5 ft. (1.5 m) overhead clearance from any structure, overhang, or trees.
- DO NOT place enclosure under a deck or other type of structure that may confine airflow.
- Smoke detector(s) MUST be installed and maintained indoors according to the manufacturer's instructions. Carbon monoxide alarms cannot detect smoke.
- Do not place enclosure in a manner other than shown in illustrations.



Legend for Generator Locations to reduce the risk of fire:

(A) Standby Generator

- (B) Standby enclosure must be at least 5 ft (1.5 m) from windows, doors, any wall opening, shrubs or vegetation over 12 inches (30.5 cm) in height.
- (C) Exhaust outlet of standby enclosure must have at least 5 ft (1.5 m) minimum clearance from any structure, shrubs, trees or any kind of vegetation.
- (D) Standby enclosure must have a minimum of 5 feet (1.5 m) overhead clearance from any structure, overhang or trees.
- (E) Standby enclosure must have a minimum of 18 inches (45.7 cm) clearance from any structures with or without a fire rating.

Other General Location Guidelines

- Place the standby generator in a prepared location that is flat and has provisions for water drainage.
- Install the standby generator in a location where sump pump discharge, rain gutter down spouts, roof run-off, landscape irrigation, or water sprinklers will not flood the unit or spray the enclosure and enter any air inlet or outlet openings.
- Install the standby generator where it will not affect or obstruct any services (including covered, concealed and underground), such as telephone, electric, fuel (natural gas / LPG vapor), irrigation, air conditioning, cable, septic, sewer, well and so forth.
- Install the standby generator where leaves, grass, snow, etc will not obstruct air inlet and outlet openings. If prevailing winds will cause blowing or drifting, you may need to construct a windbreak to protect the unit.

Not for
Reproduction

Installation

This product is only for use as an optional generator system which provides an alternate source of electric power and to serve loads such as heating, refrigeration, and communication systems that, when stopped during any power outage, can cause discomfort or inconvenience.

Every effort has been made to make sure that the information in this manual is accurate and current. However, we reserve the right to change, alter, or otherwise improve the product and this document at any time without prior notice.

Only current licensed electrical and plumbing professionals can attempt generator system installations. Installations must strictly comply with all applicable codes, industry standards, laws and regulations.

Lifting the Generator



WARNING

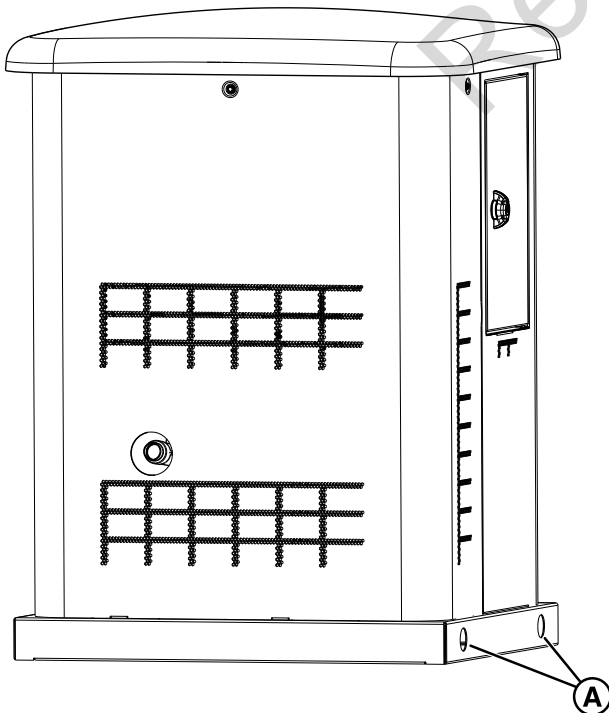


Hazardous Voltage - Contact with power lines could cause electric shock or burns, resulting in death or serious injury.

- If lifting or hoisting equipment is used, DO NOT contact any power lines.
- DO NOT lift or move generator without assistance.

Correct tools, equipment, and qualified personnel must be used in all phases of handling and moving the generator. The approximate weight of the generator is listed in the *Generator Specifications* section.

Use the lifting holes (A) in the base of the generator to lift the generator onto the concrete slab/pad. Lift the generator in accordance with OSHA or local lifting regulations.



Cold Weather Kit

If the generator operates in temperatures below 30°F (-1°C), it is **HIGHLY RECOMMENDED** that a Cold Weather Kit be installed.

Cold Weather Kit, Part No. 6578 (Fortress models) includes:

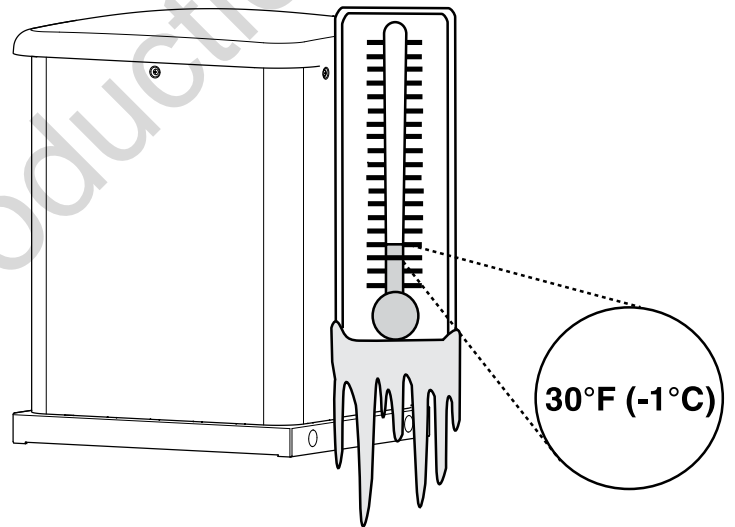
- Battery warmer
- Battery stand

Cold Weather Kit, Part No. 6567 (Briggs & Stratton models) includes:

- Oil warmer
- Battery warmer
- Battery stand
- Wire harness

These items are available at your local service dealer.

If you need more information, please call **800-732-2989** between 8:00 AM and 5:00 PM CT.



Anchoring and Wind Rating

Concrete Anchoring of Unit to Poured or Existing Slab

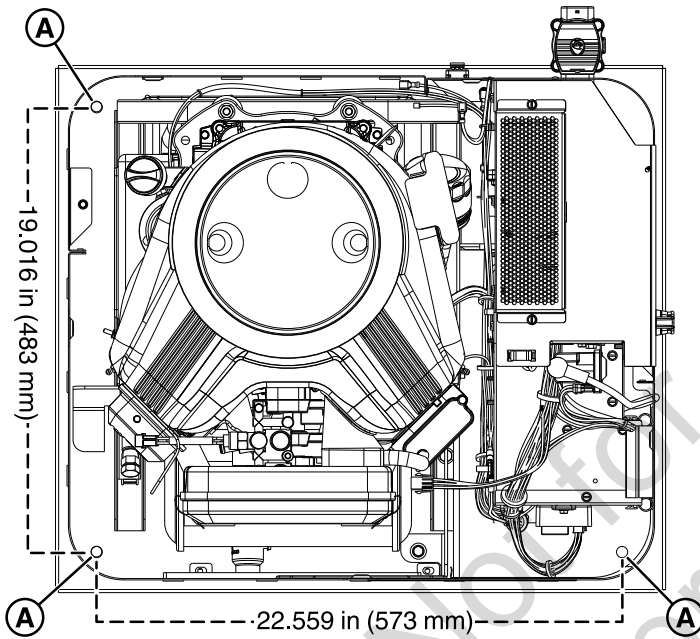
To achieve the listed wind rating, the generator must be installed in strict compliance with this installation manual. The product components must be of the material specified and all screws must be installed in accordance with the applicable provisions and the anchor manufacturer's published installation instructions.

The concrete slab/pad must meet the requirements below and the generator must be anchored with the anchors of **Anchor Types** 1 or 2.

Anchor Types

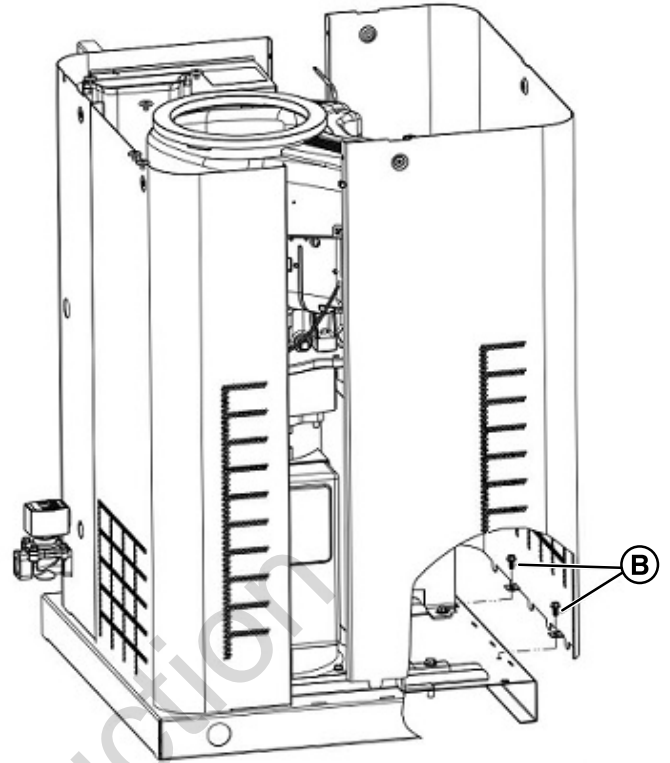
1. Qty (3) 3/8" SS ITW RED HEAD LDT, Anchor embedded 2 1/2" (63.5mm) in 3000 psi concrete. 3" (76.2mm) from the edge minimum, 6" (152.4mm) spacing minimum.
2. Qty (3) 3/8" SS Powers/Dewalt Power Stud +SD2 Anchor embedded 2 1/2" (63.5mm) in 3000 psi concrete. 3" (76.2mm) from the edge minimum, 6" (152.4mm) spacing minimum.

There are three 7/16" hole locations (A) in the base of the generator in which to anchor the unit.



Panel Attachment in Wind Rated Areas

To achieve a wind rating of 140 mph and above, (2) 1/4-20 Screws (B) are included and must be installed in the bottom of the front panel.



Electrical and Fuel Inlet Locations

The 3/4 inch N.P.T. fuel inlet connector (A) and electrical inlet locations (B) are shown below.

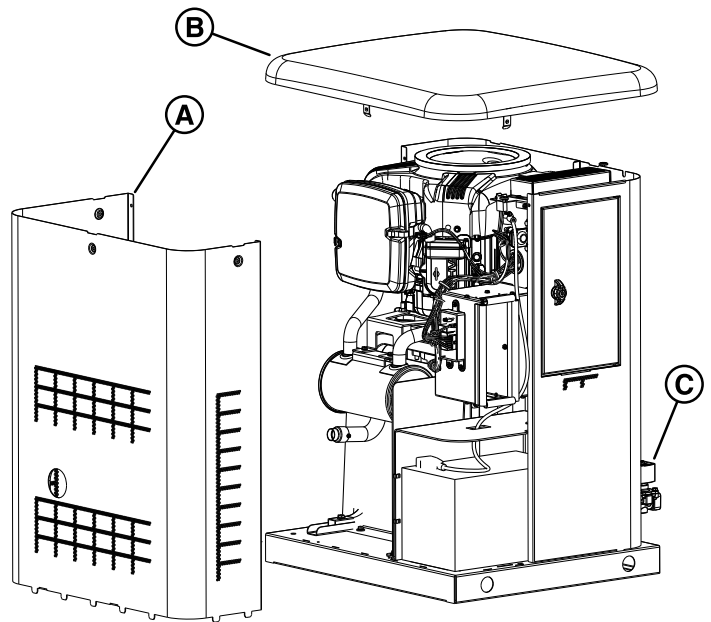
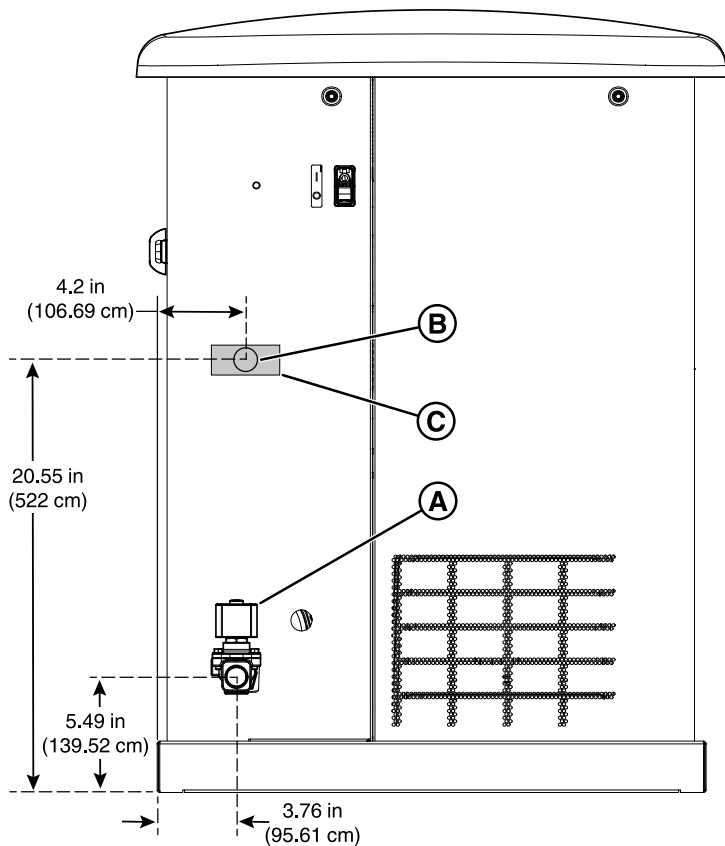
A 1/2 inch knock-out is provided for the electrical inlet. This inlet can be enlarged or supplemented to accommodate a maximum conduit size of 1-1/2 inches. Make sure that the installed conduit(s) enter the unit in zone (C) as shown in the drawing that follows so that they correctly enter the electrical box and do not interfere with the roof or any other component of the generator.

Concrete Slab/Pad Types

WIND RATING MPH	PAD MODEL	PAD DIMENSIONS			CONCRETE SPEC
		Width	Length	Thickness	
Up to 140	Pre-cast Pad (contact dealer)	29in (736.6mm)	32in (812.8mm)	3in (76.2mm)	3000 PSI
140 to 175	Pre-cast Pad (contact dealer)	29in (736.6mm)	32in (812.8mm)	4in (101.6mm)	3000 PSI
140 to 175	Poured	30in (762mm)	32in (812.8mm)	5in (127.6mm)	3000 PSI

These items are available at your local service dealer.

NOTICE Unless mandated by local or state codes to achieve wind rating, a concrete slab/pad is not required



Roof Removal

1. Remove the screws (A) that secure the roof to the unit.
2. Carefully lift and remove the roof from the unit.

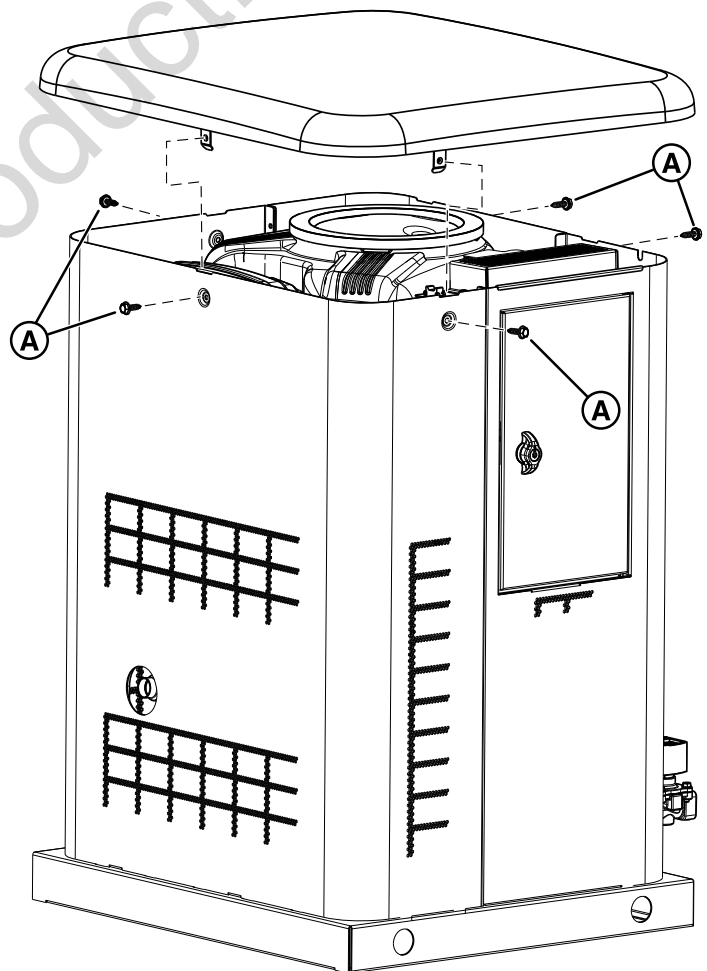
Access Panels

The generator is equipped with an enclosure that has two access panels, as shown in the image that follow.

Front Panel (A) and roof (B) are used to access:

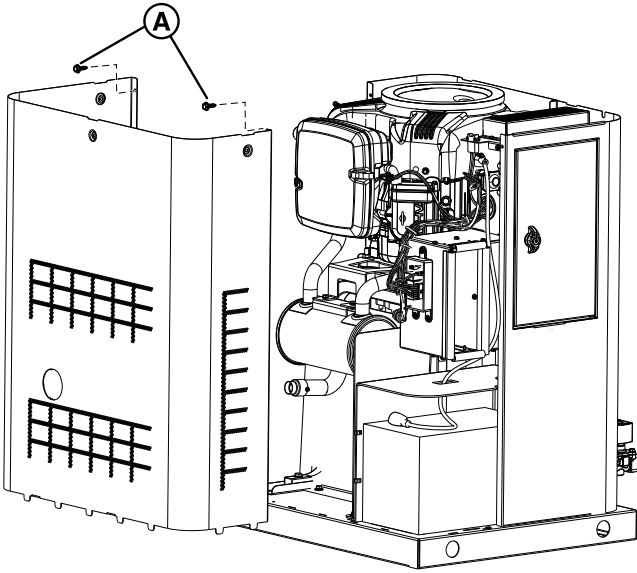
- Battery Compartment
- Engine Oil Drain Hose
- Engine Oil Filter
- Engine Valve Cover
- Spark Plugs

Each generator is shipped with a set of identical keys fastened to the fuel solenoid (C).

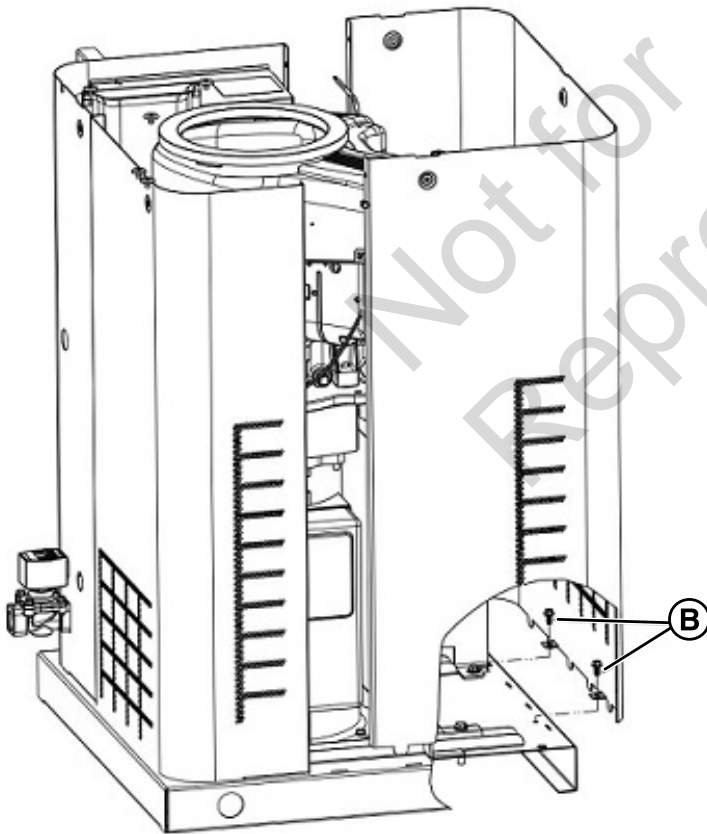


Front Panel Removal

1. Remove the two screws (A) that secure the panel to the unit.



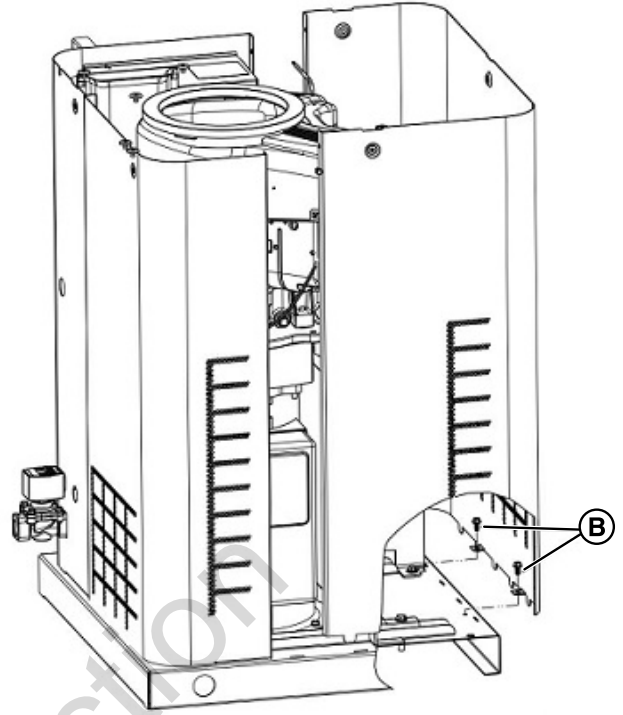
2. If installed (for wind rated regions), remove the two screws (B) that secure the panel to the base.



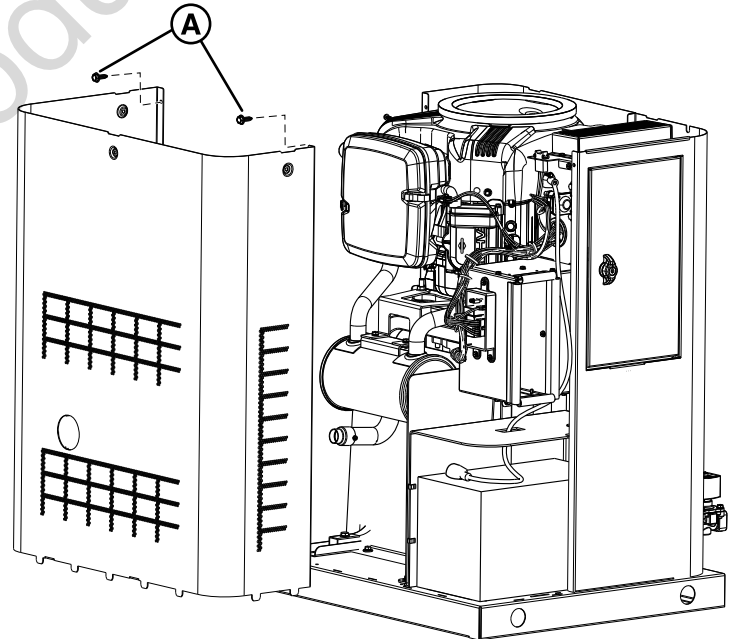
3. Lift and flex panel outward and off of the base. Use caution not to damage the battery box.

Front Panel Installation

1. Lift and flex the panel outward and onto the base. Use caution not to damage the battery box.
2. With wind rated units, install the two screws at (B).

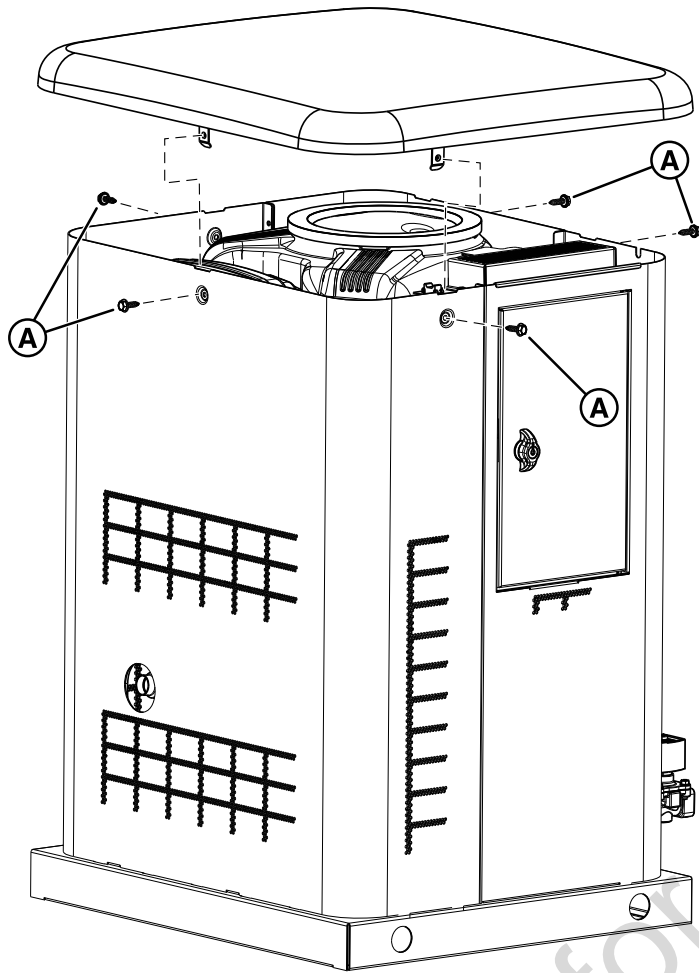


3. Secure the panel with the two screws at (A).



Install the Roof

1. Carefully put the roof on the unit.
2. Install the screws (A) that secure the roof to the unit.



applicable fuel gas codes. Consult with your local fuel supplier or Fire Marshall if questions or problems arise.

! WARNING

! Propane and Natural Gas are extremely flammable and explosive, which could cause burns, fire or explosion resulting in death or serious injury.

- The generator is equipped with an automatic safety gas fuel shut-off valve.
- DO NOT operate the equipment if the fuel shut-off valve is missing or inoperative.

! WARNING

! Propane and Natural Gas are extremely flammable and explosive, which could cause burns, fire or explosion resulting in death or serious injury.

- LP gas is heavier than air and will settle in low areas.
- Natural gas is lighter than air and will collect in high areas.
- The slightest spark could ignite these fuels and cause an explosion.
- DO NOT light a cigarette or smoke.

Fuel Installation Plan

! WARNING

! Propane and Natural Gas are extremely flammable and explosive, which could cause burns, fire or explosion resulting in death or serious injury.

- Installation must be performed by a licensed professional.
- Install the fuel supply system according to NFPA 37 and other applicable fuel-gas codes.
- Before placing the generator into service, the fuel system lines must be properly purged and leak tested.
- NO leakage is permitted.
- DO NOT operate engine if smell of fuel is present.

NOTICE The supplied flexible fuel line is not to be installed underground or in contact with the ground.

- *The entire flexible fuel line must be visible for periodic inspection and must not be concealed within nor contact nor run through any wall, floor, or partition.*

The information below is provided to assist gaseous fuel system technicians in planning installations. In no way should this information be interpreted to conflict with

TO THE INSTALLER: Consult with the generator owner(s) and convey any technical considerations that can affect their installation plans before applying these general guidelines.

The following general rules apply to gaseous fuel system piping:

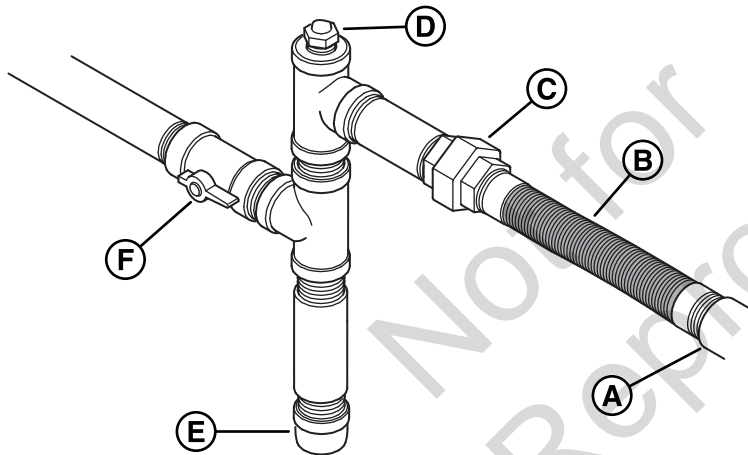
- The piping material must conform to federal and local codes, be rigidly mounted, and be protected against vibration.
- Piping should be protected from physical damage, especially where it passes through flower beds, shrub beds, and other cultivated areas where damage can occur.
- Install the provided flexible fuel line (B) between the generator fuel inlet port (A) and the rigid piping to prevent thermal expansion and contraction from causing excessive stress on the piping material.
- A union (C) or a flanged connection must be provided downstream to permit removal.
- A manometer test port (D) should be installed for vapor fuels. Use the port to install a manometer and check if the engine receives the correct fuel pressure for operation. A digital manometer (P/N 19495) or an analog manometer is available at your service center for vapor fuels only. When the initial test runs are completed, the manometer is removed and the port is plugged.
- For vapor fuels only: Where the formation of hydrates or ice is known to occur, piping should be protected against

freezing. The termination of hard piping must include a sediment trap (E) where condensate is not likely to freeze.

- A minimum of one accessible, approved manual shutoff valve (F) shall be installed in the fuel supply line within 6 ft (180 cm) of the generator.
- You must install a manual fuel shut-off valve in the interior of the building.
- Where local conditions include earthquake, tornado, unstable ground, or flood hazards, special consideration shall be given to increase strength and flexibility of piping supports and connections.
- Piping must be of the correct size to maintain the required supply pressures and volume flow under varying generator load conditions with all gas appliances connected to the fuel system turned on and operating.
- Use a pipe sealant or joint compound approved for use with NG/LP on all threaded fittings to reduce the possibility of leakage.

NOTICE Keep thread sealant out of the gas piping to prevent component part damage.

- Installed piping must be properly purged and leak tested, in accordance with applicable codes and standards.



- (A) Generator Fuel Inlet
- (B) Flexible Fuel Line
- (C) Union Fitting
- (D) Manometer Test Port
- (E) Sediment Trap
- (F) Manual Shut-off Valve

Fuel Type

An important consideration affecting the entire installation is the type of fuel used by your generator. The system was factory tested and adjusted using natural gas, but can be converted to use LP vapor. For correct engine function, factors that are inherent to each of these fuels, like your location and the duration of possible utility interruptions, are important considerations in the following fuel guidelines:

- Use clean, dry fuel that is free of moisture or any particulate material. Using fuels outside the

recommendation values that follow can cause performance problems.

- In engines set up to run on propane (LP), commercial grade HD5 propane with a minimum fuel energy of 2500 BTUs/ft³ with maximum propylene content of 5% and butane and heavier gas content of 2.5% and minimum propane content of 90% is required.

Natural gas rating will depend on specific fuel, but typical derates are between 10 and 20% of the LP gas rating.

Natural gas or LP engines are certified to operate on natural or liquid propane gas. The emissions control system for this engine is EM (Engine Modifications).

Fuel Pressure

Both LP vapor and natural gas fuel supply pressure at the generator's fuel inlet port and must be between the following levels at full load with all gas appliances turned on and in operation.

- NG is 3.5-7" W.C.
- LP is 11-14" W.C.

Make sure that all gas line shutoff valves are OPEN and that adequate fuel pressure is available whenever automatic operation is desired.

For Natural Gas fuel pressure levels of 3.5 - 5" W.C., replace the regulator assembly with service kit 6331-00 (available at your local service dealer).

Power Loss

Air density is less at high altitudes, resulting in less available engine power. Engine power will decrease by 3.5% for each 1,000 feet (300 m) above sea level and by 1% for each 10° F (5.6°C) above 77°F (25°C). Generators located in these conditions must have their transfer switch adjusted appropriately for this power decrease. See your Automatic Transfer Switch manual on how to adjust for the power decrease.

The Gaseous Fuel System

Fuel Pipe Sizing

NFPA 54 and 58 are common resources. The installer must consider the specific gravity of gas, compensate for a nominal amount of restriction from bends and fittings, and refer to federal and local codes for guidance.

Fuel Conversion

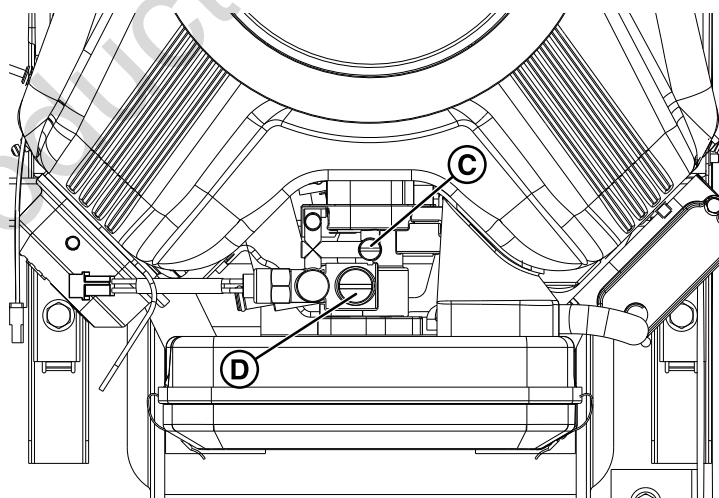
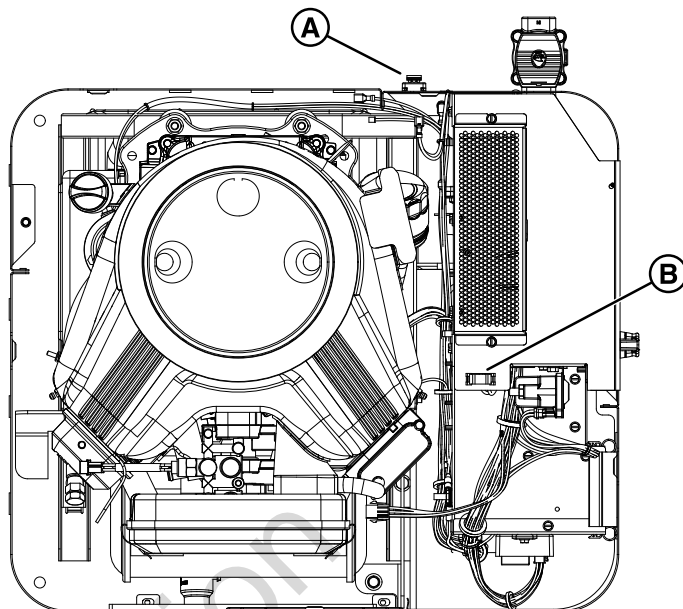
The engine of your generator system is factory Calibrated and set to operate on natural gas (NG). It can also be operated on liquefied petroleum (LP) vapor.

NOTICE The initial factory NG settings are:

- Screw C: 2.5 turns
- Screw D: 0.5 turns

To configure 12kW units for LP fuel use:

1. Push the ON/OFF Switch (A) on the side of the generator to the "OFF" (0) position.
2. Remove utility power to the generator to de-energize the battery charger.
3. Remove the roof.
4. Remove the 15 Amp fuse (B) from the fuse holder at top of the control box.
5. Remove the front panel.
6. Disconnect the negative (-) cable at the battery.
7. Using a slotted screwdriver turn screws (C and D) clockwise until they are snug (over tightening can damage the mixer port).
8. Using a slotted screw driver turn screw (C) counterclockwise ¼ turn.
9. Leave screw (D) seated.
10. Connect the negative (-) cable at the battery.
11. Install the front panel.
12. Install the 15 Amp fuse (B) into the fuse holder at top of the control box.
13. Install the roof.
14. Push the ON/OFF Switch (A) on the side of the generator to the "ON" (I) position.
15. Open Control Panel access door and verify that the panel is in **Manual Mode**.
16. Push and hold the CONFIG button to access the configuration menu.
17. Push SELECT to edit the items in the configuration menu.
18. To setup the generators control board for LP fuel you will need to enter the Configuration Menu by using the Dealer Password, which is available on the Power Portal.
19. Navigate to "SELECT PROFILE" and press select on the correct profile for the generator. For example "12KW_LP" for operating a 12kW unit running on LP fuel.
20. To Save the new fuel setting, press and hold the STOP/ CONFIG button until "Saving Settings..." is displayed.
21. For Additional information on the operation of the generator controller please refer to the "Operation Instructions GC1031 GENSET Controller Manual," PN: 80086364.



NOTICE Selecting a profile that is not intended for the generator can cause the generator to run erratically and could result in damage.

Electrical Field Connections



WARNING



Generator and utility voltage could cause electrical shock or burn resulting in death or serious injury.

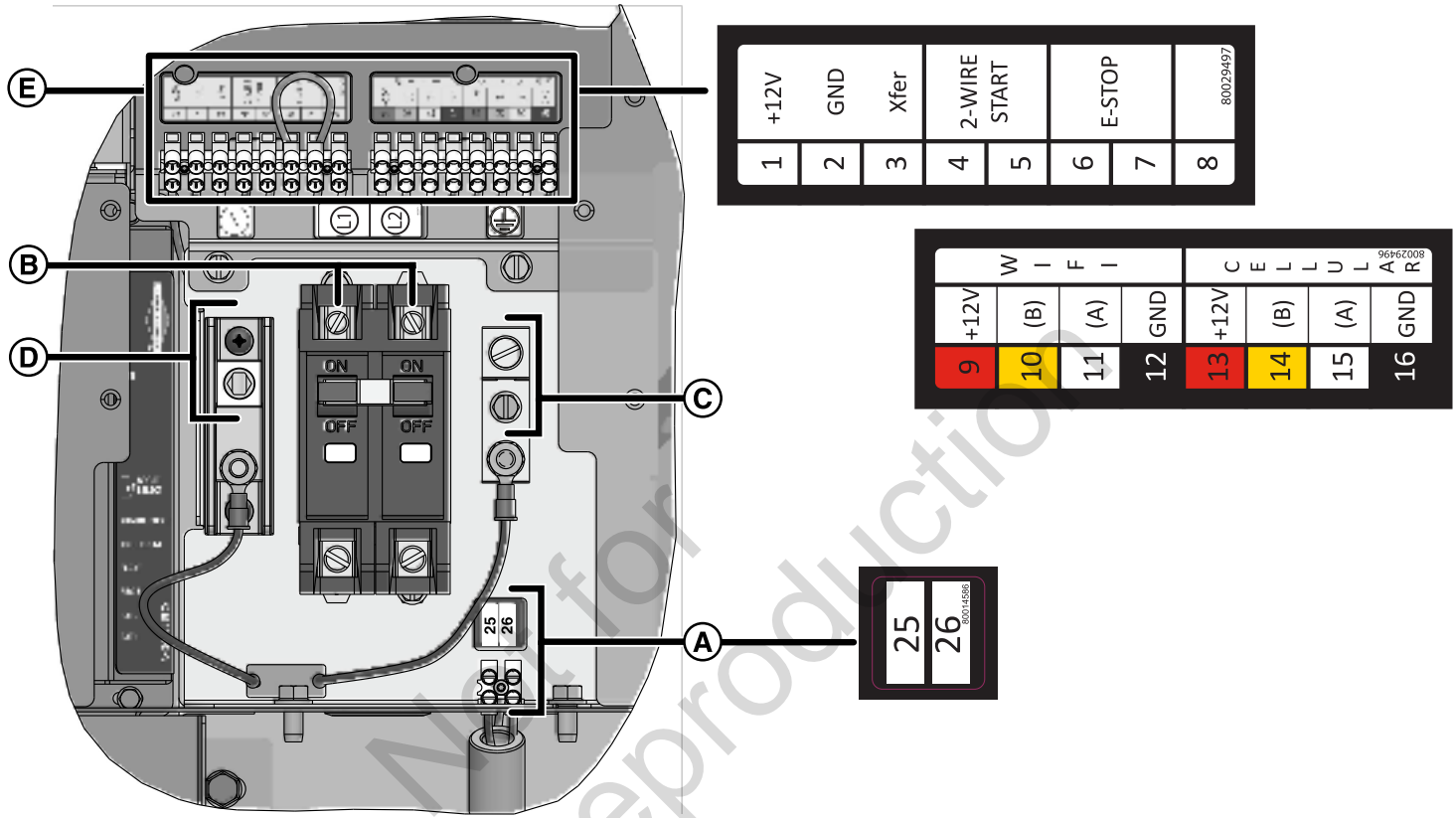
- Installation must be performed by a licensed professional.
- Disconnect all sources of electricity before installing or servicing equipment.
- Ground system before applying power.

WARNING

Hazardous Voltage - Installing low and high voltage wire in same conduit could cause electric shock or burns, resulting in death or serious injury.

- Do not run low and high voltage wire in the same conduit unless the insulation rating on ALL wiring is rated for 600V. See NFPA 70 for more information.

Low Voltage connections are made via a field connection terminal block (E) in the main electrical area. Compare this illustration with your generator to familiarize yourself with the location of these connections.



- A • Two Pin Terminal Block — Used to connect utility 240 VAC from fuse block in ATS to the control board. Connect only one wire per terminal. Use #14 [2.5mm²] AWG minimum 300 volt wire.
- B • Power Connection (Line 1 and Line 2) — Power connection to transfer switch.
- C • Ground Connection — Connect to transfer switch ground wire.
- D • Neutral Connection — Connect to transfer switch neutral wire.
- E • Reference the table that follows:

Pin Number	Description	Wire type	Connect To	Notes
1	12VDC	18AWG[1mm ²] twisted pair conductors, 300V minimum, 90°C Cu wire.	Transfer switch basic controller J7-8 12VDC	Transfer switch Transfer Signal (only works with basic Transfer Switch Controller).
2	GND	18AWG[1mm ²] twisted pair conductors, 300V minimum, 90°C Cu wire.	Transfer switch basic controller J7-7 GND	
3	Transfer Signal	18AWG[1mm ²] twisted pair conductors, 300V minimum, 90°C Cu wire.	Transfer switch basic controller J7-4 T/R	

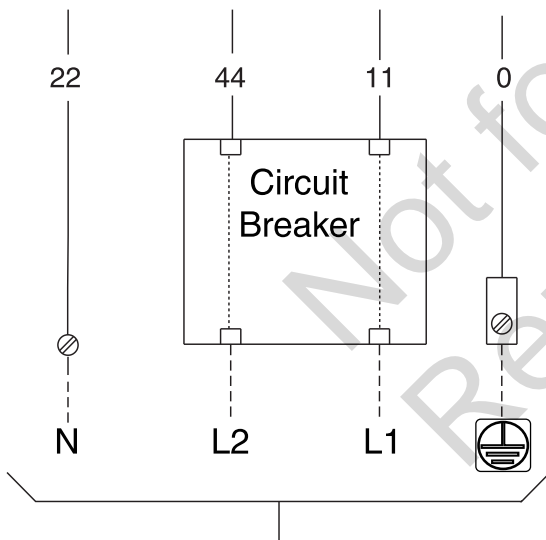
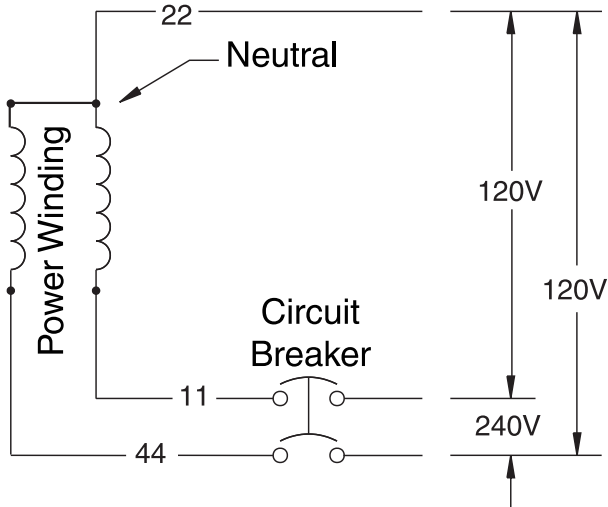
4	2 Wire-Start	18AWG[1mm ²] twisted pair conductors, 300V minimum, 90°C Cu wire.	Refer to Transfer switch manual to verify if this function is available.	Contact Close for Genset Start. (Only for transferswitch that provides this option) Mains monitoring must be disabled in the controller.
5	2 Wire-Start	18AWG[1mm ²] twisted pair conductors, 300V minimum, 90°C Cu wire.		
6	E-Stop	18AWG[1mm ²] twisted pair conductors, 300V minimum, 90°C Cu wire.	E-Stop Switch	Contact Open to Shutdown Genset
7	E-Stop	18AWG[1mm ²] twisted pair conductors, 300V minimum, 90°C Cu wire.	E-Stop Switch	
8	Not Used			
9	12VDC	18AWG[1mm ²] twisted pair conductors, 300V minimum, 90°C Cu wire.	Refer to the Amplify Gateway Manual.	Comm to WIFI module
10	(B)	18AWG[1mm ²] twisted pair conductors, 300V minimum, 90°C Cu wire.		
11	(A)	18AWG[1mm ²] twisted pair conductors, 300V minimum, 90°C Cu wire.		
12	GND	18AWG[1mm ²] twisted pair conductors, 300V minimum, 90°C Cu wire.		
13	12VDC	18AWG[1mm ²] twisted pair conductors, 300V minimum, 90°C Cu wire.	Refer to the InfoHub™ Premium Manual.	Comm to Cellular module
14	(B)	18AWG[1mm ²] twisted pair conductors, 300V minimum, 90°C Cu wire.		
15	(A)	18AWG[1mm ²] twisted pair conductors, 300V minimum, 90°C Cu wire.		
16	GND	18AWG[1mm ²] twisted pair conductors, 300V minimum, 90°C Cu wire.		
25	Utility	14AWG [2.5mm ²] 300V minimum, 90°C Cu Wire	Transfer switch Utility	Voltage Sensing for Genset Start. Use either this signal or 2-wire start signal for Genset Start Signal.
26	Utility	14AWG [2.5mm ²] 300V minimum, 90°C Cu Wire	Transfer switch Utility	

- For power output connection (L1, L2, Neutral (N), and Ground), refer to the National Electric and local codes.
- For communication wires use #18 AWG [1mm²] twisted pair conductors, no greater than 500 ft in length, 300 volt wire.
- When connecting to the terminal block, fasten only one wire to each connector screw.
- Torque terminal block screws to 4.4 in-lb [0.49 Newton meter].
- Torque circuit breaker connections to 45 in-lb [5 Newton meter].
- Transfer switch connection. In terminal group (E) pin 1, 2 and 3 get connected to a Briggs & Stratton® basic transfer switch (refer to the transfer switch installation manual).

Generator AC System Connection

A single-phase, three-wire AC connection system is used in the generator. Refer to the schematic and wiring diagram that follows.

NOTICE Neutral is not bonded to ground at generator.



Grounding the Generator

Unless mandated by local code, additional chassis grounding to earth at the generator is not required. Any grounding at generator must use metal piercing lock washers (or equal), listed terminals installed per terminal supplier's instructions, and comply with national electrical codes and local requirements.

Power Connections from the Generator to the Transfer Switch



WARNING



Failure to isolate generator from utility power could result in death or serious injury to electric utility workers due to backfeed of electrical energy.

- Use a listed transfer switch to connect to a building electrical system.

Utility Circuit Connection

240V Utility leads must be routed in conduit. The 240V Utility leads deliver power to the generator's circuit board, optional battery warmer and optional oil warmer. This power also charges the battery. In AUTO Mode, when the power on these leads is lost, the generator will start. Using the installer-supplied minimum 300V, 14 [2.5 mm²] AWG wire, connect each control circuit terminal in the generator (25 and 26) to the fuse block in the automatic transfer switch.

Generator Power Connection

Using the installer supplied minimum 300V wires and the table located in the *Electrical Field Connections* section, connect generator power output L1, L2, neutral (N), and ground to the corresponding L1, L2, neutral (N) and ground in the transfer switch.

NOTICE Refer to the National Electric Code for correct electrical field connections and wire size calculations.

Final Installation Considerations

Engine Oil

NOTICE Any attempt to crank or start the engine before it has been correctly filled with the recommended oil will result in equipment failure and service codes.

- Refer to *Maintenance* in the *Operation* section of this manual for oil fill information.
- Damage to equipment resulting from failure to obey this instruction will void the engine and generator warranty.

This engine is shipped from the factory pre-run and filled with synthetic oil (API SJ/CF 5W-30). This allows for system operation in a wide range of temperature and climate conditions. Before starting the engine, check the oil level as described in the *Maintenance* section of this manual.

The use of synthetic oil does not alter the required oil change intervals described in the *Operation* section of this manual.

For operation in temperatures below 30°F (-1°C), the use of fully synthetic oil (minimum API SJ) of viscosity 5W30 is required.

Battery



WARNING



Storage batteries give off explosive hydrogen gas during recharging. Slightest spark could ignite hydrogen and cause explosion, resulting in death or serious injury.

- DO NOT dispose of battery in a fire. Recycle battery.
- DO NOT allow any open flame, spark, heat, or lit cigarette during and for several minutes after charging a battery.



WARNING



Generator and utility voltage could cause electrical shock or burn resulting in death or serious injury.

- Installation must be performed by a licensed professional.
- Disconnect all sources of electricity before installing or servicing equipment.
- Ground system before applying power.



WARNING



Battery electrolyte fluid contains acid and is extremely caustic. Contact with battery contents could cause severe chemical burns.

- DO NOT open or mutilate the battery
- Wear protective goggles, rubber apron, rubber boots and rubber gloves.
- Immediately wash electrolyte from skin with water.
- If electrolyte contacts eyes, immediately flush with water and seek medical attention.
- Spilled electrolyte is to be washed down with an acid neutralizing agent.

The installer must supply and install a rechargeable 12 volt starting battery. The starting battery MUST conform to the specifications shown in this chart.

Battery Specifications		
Specifications	Standard	Cold Start (Less than 30°F / -1°C)
Volts	12 Volt DC	12 Volt DC
Amps (Minimum)	540 CCA (Cold Cranking Amps)	800 CCA (Cold Cranking Amps)
Construction	Wet Lead Acid	Wet Lead Acid
Terminal Type	Top Post Type Battery	Top Post Type Battery
Dimensions (Maximum)	BCI Size 26 or BCI Size 51	BCI Size 24



WARNING



With the battery connected, the generator may crank and start without warning resulting in death or serious injury.

- Do not connect the negative (-) cable at the battery until the installation is complete.

Install the battery as described in *Servicing the Battery* in the *Maintenance* section of this manual. Always make sure that the NEGATIVE cable is connected last and that the red POSITIVE terminal insulator is secure.

Use the supplied tie-down strap to secure the battery to the unit. Each end of the strap should be attached to the existing tabs in the base of the unit.

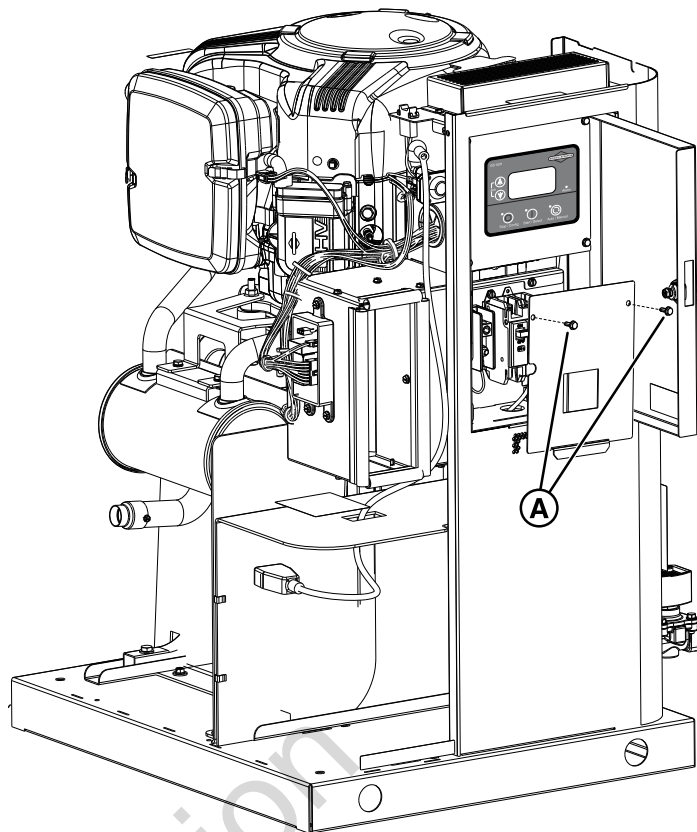
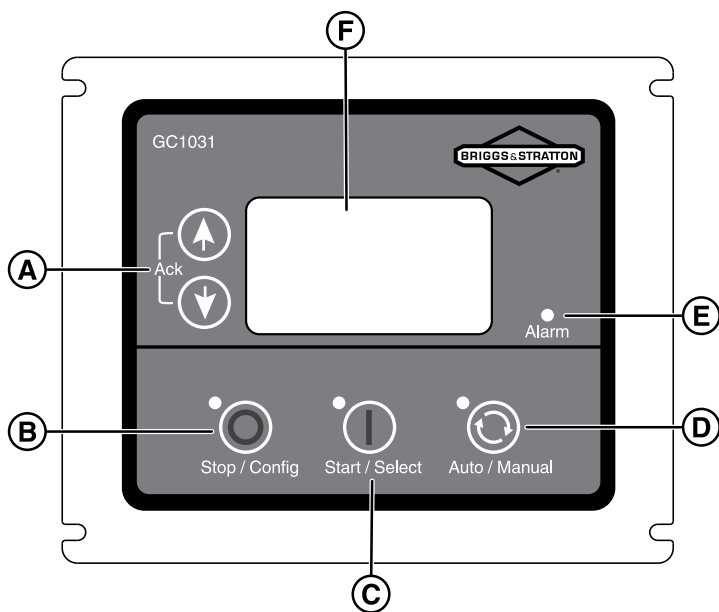
System Control Board

NOTICE Please see separate online manual: "Operation Instructions GC1031 GENSET Controller" (part number 80086364) for details on set up and operation.

The generator control panel, located inside the generator housing, is shown below. Brief descriptions of the controls used during installation are:

- (A) Menu / Programming Navigation Buttons
- (B) Stop / Config Button
- (C) Start / Select Button
- (D) Auto / Manual Button
- (E) Alarm
- (F) Digital Display — Displays generator mode, menu options, and alarms.

Detailed descriptions of the controls are located in the *Description of Control Keys* section inside the online "Operation Instructions GC1031 GENSET Controller" manual (part number 80086364).



Initial Start-Up (No Load)



WARNING



Exhaust heat/gases could ignite combustibles causing a fire, resulting in death or serious injury.

- Remove all combustible materials from in and around the generator compartment.

The unit has been set-up for NG operation at the factory. Fuel conversion, if needed, must be completed prior to doing these steps (See *Fuel Conversion*). Before operating the generator or putting it into service, inspect the entire installation carefully. Then, test the system without any electrical loads connected, as follows:

- Remove the two screws (A) that secure the circuit breaker cover to expose unit's circuit breaker.
- Connect an accurate multi-meter to line side of the generator's main circuit breaker.
- Set the generator's main circuit breaker to the ON (closed) position.
- Install the 15 Amp fuse.
- Push the ON/OFF switch, located on the side of the generator, to the ON (I) position.
- Push the START/SELECT button on the control board. The engine will start in Low Idle Mode (LIM). Push again to bring the engine to full speed.

NOTICE When the generator is started for the very first time, it will require that any air in the gaseous fuel lines be purged. This can cause the engine to run roughly for a few minutes.

- Listen for unusual noises, vibration or other indications of abnormal operation. Look for oil leaks while the engine runs.
- Let the engine warm up for approximately 5 minutes to allow internal temperatures to stabilize.
- Check the generator output at load side of circuit breaker. The voltage must be 225 - 250 Volts and the frequency must be 59 - 61 Hz.
- Check the generator output between one generator connection lug and the neutral lug, then between the other generator connection lug and the neutral lug. In

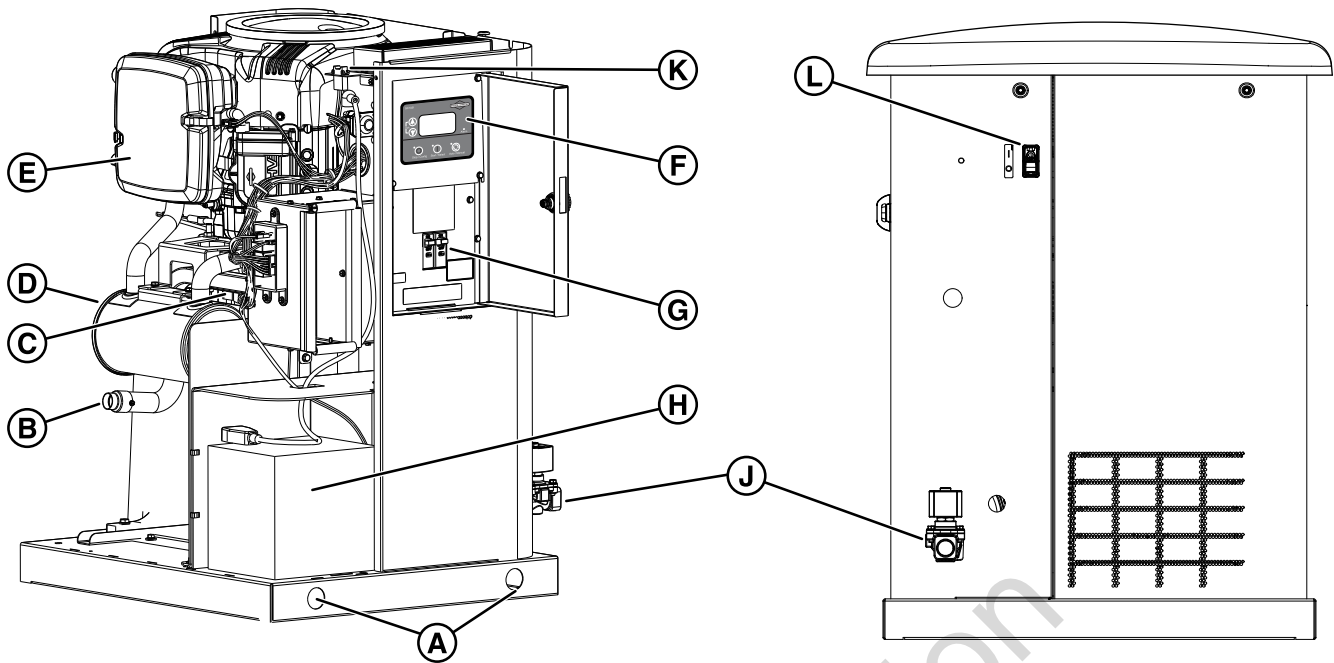
both cases, voltage reading must be between 112 and 125 Volts.

11. Push the STOP/CONFIG button on the control board. The engine will enter cool-down mode for approximately 5 minutes. Push again to stop the engine.
12. Install the circuit breaker cover.
13. When the test is completed and successful, install the front panel and the roof.

Not for
Reproduction

Operation

Features and Controls - 12kW Generator



Generator is shown with roof and access covers removed for clarity

- (A) Lifting Holes — Provided at each corner for lifting the generator.
- (B) Exhaust Port — High-performance muffler lowers the engine noise to comply with most residential codes.
- (C) Alternator — An electrical machine that generates an alternating current.
- (D) Muffler — A device that reduces engine noise.
- (E) Air Cleaner — Uses a dry type filter element to protect the engine by filtering dust and debris out of intake air.
- (F) Control Panel — Used for various test, operation and maintenance functions.
- (G) Circuit Breaker — Protects the system from shorts and other over-current conditions.
- (H) Battery Compartment — For the installer supplied 12 Volt DC, battery that provides power to start the engine.
- (J) Fuel Inlet Port — Attach appropriate fuel supply to generator here.
- (K) Fuse — Located on the top of the control box.
- (L) ON / OFF Switch — Used to turn the generator on (I) and off (O).

Important Owner's Considerations



Engine exhaust contains carbon monoxide, a poisonous gas that could kill you in minutes. You cannot smell it, see it, or taste it. Even if you do not smell exhaust fumes, you could still be exposed to carbon monoxide gas.

- Carbon monoxide detector(s) MUST be installed and maintained indoors according to the manufacturer's instructions/recommendations. Smoke alarms cannot detect carbon monoxide gas.
- If you start to feel sick, dizzy, weak, or your carbon monoxide alarm sounds while using this product, get to fresh air right away. Call emergency services. You may have carbon monoxide poisoning.



Propane and Natural Gas are extremely flammable and explosive, which could cause burns, fire or explosion resulting in death or serious injury.

- The generator is equipped with an automatic safety gas fuel shut-off valve.
- DO NOT operate the equipment if the fuel shut-off valve is missing or inoperative.

Engine Oil

The engine is shipped from the factory pre-run and filled with synthetic oil (API SJ/CF 5W-30). This allows for system operation in a wide range of temperature and climate conditions. Before starting the engine, check the oil level as described in *Maintenance*.

NOTICE Any attempt to crank or start the engine without being correctly filled with the recommended oil will result in equipment failure.

- Damage to equipment resulting from failure to obey this instruction will void engine and generator warranty.

Battery

The installer must supply a rechargeable 12 volt DC starting battery. See Battery in *Final Installation Considerations* in this manual.

15 Amp Fuse

Make sure that the fuse is correctly installed before operating your generator.

Automatic Operation Sequence

The generator's control board monitors utility voltage. If the utility voltage drops below a preset level, the control board will signal the engine to crank and start. When the utility

voltage is restored above a preset voltage level, the engine is signaled to shut down. The actual system operation is not adjustable and is sequenced by sensors and timers on the control board, as follows:

Utility Voltage Dropout Sensor

- This sensor monitors the utility source voltage.
- If the utility source voltage drops below approximately 70 percent of the nominal supply voltage, the sensor initiates a timer. The timer is used to 'sense' brown-outs.
- Once the timer has expired, the engine will crank and start.

Utility Voltage Pickup Sensor

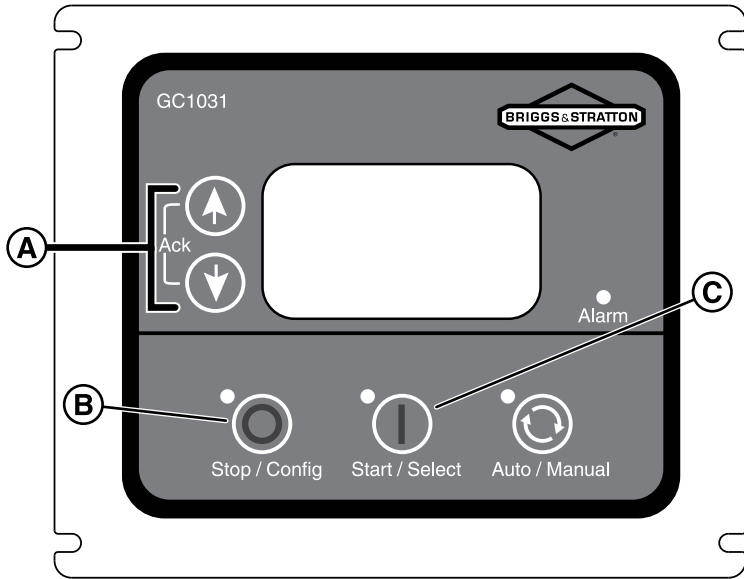
This sensor monitors the utility voltage. When the utility voltage is restored above approximately 80 percent of the nominal source voltage, a shut-down timer is initiated and the engine will go to engine cool-down.

Engine Cool-down Timer

When the utility power is sensed, the load transfers to the utility source and the engine will go into a 5 minute cool down period.

Setting the Exercise Timer

1. Push and hold the Stop/Config button (B).
2. Push the Start/Select button (C) to enter WRITE MODE.
3. Enter the password (0000) by using the arrow keys (A) and the Start/Select button (C).
4. In the CONFIGURATION screen use the arrow keys (A) to find MODULE.
5. Push the Start/Select button (C) and using the arrow keys (A) find AUTO EXERCISE.
6. Push the Start/Select button (C) and using the arrow keys (A) select each parameter and choose the desired settings.
7. To save your settings when completed, push and hold the Stop/Config button (B) until "Saving Settings" shows on the display.



A detailed list of all the on screen parameters is located in the *Configuration of GCU* section inside the online "*Operation Instructions GC1031 GENSET Controller*" manual (part number 80086364)

Not for
Reproduction

Maintenance

Servicing the System



WARNING



Generator and utility voltage could cause electrical shock or burn resulting in death or serious injury.

- DO NOT allow unqualified persons to operate or service this equipment.



WARNING



With the battery connected, the generator may crank and start without warning resulting in death or serious injury.

- Before servicing, stop the generator and disconnect the negative (-) cable at the battery.

Before performing any generator maintenance, always do the following steps

1. Push the ON/OFF Switch on the side of the generator to the "OFF" (0) position.
2. Remove utility power to the generator to de-energize the battery charger.
3. Remove the roof.
4. Remove the 15 Amp fuse from the fuse holder at top of the control box.
5. Remove the front panel.
6. Disconnect the negative (-) cable at the battery.
7. Perform service steps as specified.
8. Connect the negative (-) cable at the battery.
9. Install the front panel.
10. Install the 15 Amp fuse into the fuse holder at top of the control box.
11. Install the roof.
12. Restore utility power to the generator.
13. Push the ON/OFF Switch on the side of the generator to the "ON" (I) position.
14. Set the generator mode to AUTO.

Maintenance Schedule

Follow the hourly or calendar intervals of operation, whichever occurs first.

Every 8 Hours of Operation or Daily
Clean Debris
Check the Engine Oil Level
Every 100 Hours of Operation or Annually
Change the Air Filter
Change the Engine Oil and Filter
Replace the Spark Plugs

Check the Valve Clearance
Check the Circuit Breaker Torques
Annually
Clean the Oil Cooler Fins

Regular maintenance will improve the performance and extend the life of the generator. See any authorized dealer for service.

Emissions Control

Maintenance, replacement, or repair of the emissions control devices and systems can be done by any non-road engine repair establishment or an individual. However, to obtain "no change" emissions control service, the work must be done by a factory authorized dealer. See the Emissions Warranty.

Generator Maintenance

The generator's warranty does not cover items that have been subjected to operator abuse or negligence. To receive full value from the warranty, the operator must maintain the generator as instructed in this manual.

Some adjustments will need to be made periodically to correctly maintain your generator.

All service and adjustments must be made at least once each season. Obey the requirements in the *Maintenance Schedule* chart.

Generator maintenance consists of keeping the unit clean. Operate the unit in an environment where it will not be exposed to excessive dust, dirt, moisture or any corrosive vapors. The cooling air louvers on the enclosure must not become clogged with snow, leaves, or other foreign material. To prevent generator damage caused by overheating, keep the enclosure cooling inlets and outlets clean and unobstructed at all times.


Check the cleanliness of the unit frequently and clean when dust, dirt, oil, moisture or other foreign substances are visible on its exterior/interior surface. Inspect the air inlet and outlet openings inside and outside the enclosure to make sure the air flow is not blocked.

NOTICE Incorrect treatment of generator can damage it and shorten its life.

- DO NOT expose generator to excessive moisture, dust, dirt, or corrosive vapors.
- DO NOT insert any objects through cooling slots.

Cleaning the Generator

 **WARNING**

 Exhaust heat/gases could ignite combustibles causing a fire, resulting in death or serious injury.

- Keep the area near the generator clean and free of debris.

NOTICE DO NOT use direct spray from a garden hose to clean generator. Water can enter the engine and generator and cause damage.

NOTICE Periodically inspect the engine exterior for contamination and potential damage from dirt, leaves, rodents, spider webs, insects, etc. and remove.

1. Push the ON/OFF Switch on the side of the generator to the “OFF” (0) position.
2. Remove utility power to the generator to de-energize the battery charger.
3. Remove the roof.
4. Remove the 15 Amp fuse from the fuse holder at top of the control box.
5. Remove the front panel.
6. Disconnect the negative (-) cable at the battery.
7. Clean generator as follows: Use a damp cloth to wipe exterior surfaces clean. Use a soft, bristle brush and vacuum cleaner to loosen and pick up dirt and debris. Use low pressure air (not to exceed 25 psi) to blow away dirt and debris. Clean the air inlets and outlets of any snow, leaves, or debris. To prevent generator damage caused by overheating, these openings must be kept unobstructed.
8. Connect the negative (-) cable at the battery.
9. Install the front panel.
10. Install the 15 Amp fuse into the fuse holder at top of the control box.
11. Install the roof.
12. Restore utility power to the generator.
13. Push the ON/OFF Switch on the side of the generator to the “ON” (I) position.
14. Set the generator mode to AUTO.

Engine Maintenance

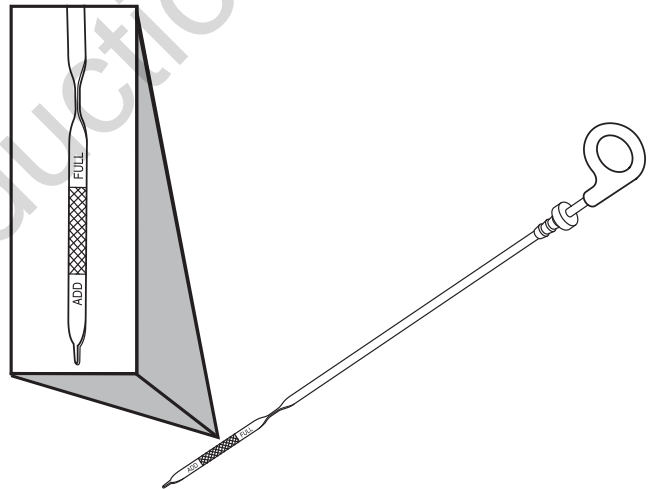
Engine Oil

Use only Briggs & Stratton® 80028446 SAE 5W-30 full synthetic engine oil.

Checking Engine Oil Level

Oil must be maintained between the “ADD” and the “FULL” marks on the dipstick. To make sure that an accurate reading is shown on the dipstick, make sure the following steps are taken before checking the oil level.

1. Push the ON/OFF Switch on the side of the generator to the “OFF” (0) position.
2. Remove utility power to the generator to de-energize the battery charger.
3. Remove the roof.
4. Remove the 15 Amp fuse from the fuse holder at top of the control box.
5. Remove the front panel.
6. Disconnect the negative (-) cable at the battery.
7. Allow approximately five minutes for the oil to drain back into the oil pan.
8. Remove the dipstick. Wipe it with a clean cloth or paper towel. Then, push the dipstick all the way into the dipstick tube.
9. Remove the dipstick and note the amount of oil on the dipstick. The oil level must be between the “ADD” and “FULL” marks.
10. If the oil level is below the “ADD” mark, install the dipstick and proceed to step 8.



11. Remove the oil filler cap from the valve cover.
12. Add the required amount of oil to bring the level up to, but not over, the “FULL” mark on the dipstick. Install the oil filler cap to the valve cover and wipe up any spilled oil.
13. Connect the negative (-) cable at the battery.
14. Install the front panel.
15. Install the 15 Amp fuse into the fuse holder at top of the control box.
16. Install the roof.
17. Restore utility power to the generator.
18. Push the ON/OFF Switch on the side of the generator to the “ON” (I) position.
19. Set the generator mode to AUTO.

Changing Engine Oil and Oil Filter

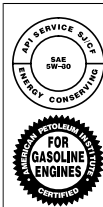
Change the oil while the engine is still warm from running.

1. Push the ON/OFF Switch on the side of the generator to the "OFF" (0) position.
2. Remove utility power to the generator to de-energize the battery charger.
3. Remove the roof.
4. Remove the 15 Amp fuse from the fuse holder at top of the control box.
5. Remove the front panel.
6. Disconnect the negative (-) cable at the battery.
7. Place the oil drain hose into an approved container.
8. Remove the brass fitting from the end of the oil drain hose.
9. When the oil has drained, install the brass fitting (that was removed in step 7) back onto the hose.
10. Put an approved container beneath the oil filter area.
11. Remove the oil filter and dispose of it correctly.
12. Before installing a new oil filter, lightly lubricate the oil filter gasket with fresh and clean oil.
13. Install the oil filter by hand until the gasket contacts the oil filter adapter, then tighten the oil filter $\frac{1}{2}$ to $\frac{3}{4}$ turn.
14. Add the required amount of oil to bring the level up to, but not over, the "FULL" mark on the dipstick. Install the oil filler cap and wipe up any spilled oil.
15. Connect the negative (-) cable at the battery.
16. Install the front panel.
17. Install the 15 Amp fuse into the fuse holder at top of the control box.
18. Install the roof.
19. Restore utility power to the generator.
20. Push the ON/OFF Switch on the side of the generator to the "ON" (I) position.
21. Set the generator mode to AUTO.

Engine Oil

The engine is filled with synthetic oil (API SJ/CF 5W-30). This allows for system operation in the widest range of temperature and climate conditions.

We recommend the use of Briggs & Stratton® 80028446 SAE 5W-30 full synthetic engine oil. Other high-quality detergent oils are acceptable if classified for service SJ or higher. Do not use special additives.

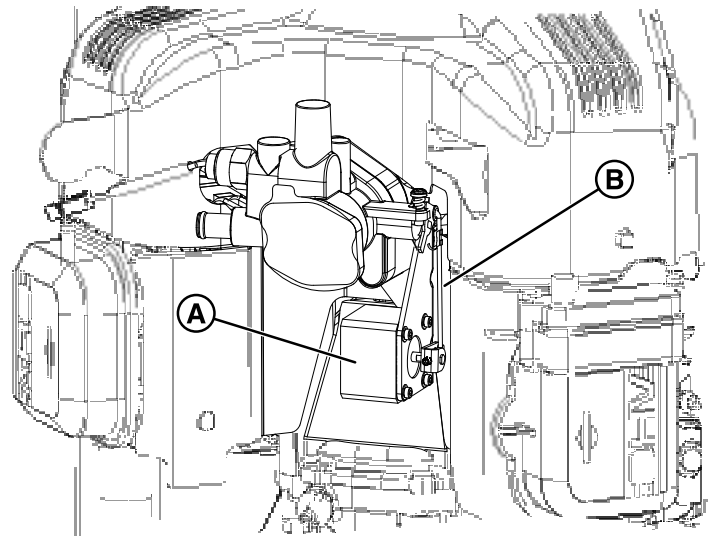
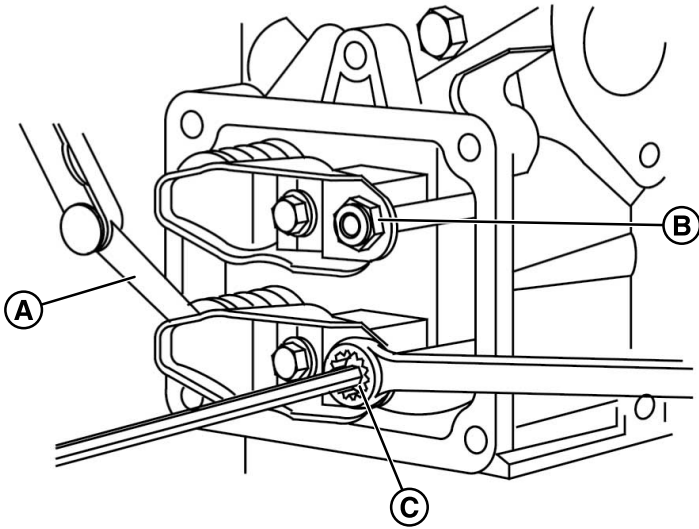


Note: Synthetic oil meeting ILSAC GF-2, API certification mark and API service symbol with "SJ/CF ENERGY CONSERVING" or higher, is an acceptable oil at all temperatures. Use of synthetic oil does not alter required oil change intervals.

Adjust Valve Lash

The valve lash must be checked every 100 hours of operation. Measure the valve clearance with the engine cold. To adjust the valve lash, proceed as follows:

1. Push the ON/OFF Switch on the side of the generator to the "OFF" (0) position.
2. Remove utility power to the generator to de-energize the battery charger.
3. Remove the roof.
4. Remove the 15 Amp fuse from the fuse holder at top of the control box.
5. Remove the front panel.
6. Disconnect the negative (-) cable at the battery.
7. Remove the two fasteners from the valve cover to gain access to valves.
8. Remove spark plugs to ease manual rotation of engine crankshaft.
9. Turn crankshaft counterclockwise until the piston is at Top Dead Center on the compression stroke.
10. Put a narrow screwdriver or rod into the spark plug hole as a gauge. Then, slowly turn the crankshaft counterclockwise until the piston moves down the bore by $\frac{1}{4}$ " (0.635 cm).
11. For the Model 38 Engine:
 - Use a feeler gauge (A) to measure the valve clearance.
 - To adjust the clearance, loosen the lock nut (B) then turn the adjusting screw (C) to get the clearance measurements that follow:
 - Intake: 0.005 in. (0.13 mm)
 - Exhaust: 0.008 in. (0.20 mm).
 - When the clearance is set correctly, hold the adjusting screw while torquing the lock nut to 70 in/ lbs. (8 Nm).
 - Refer to appropriate engine service manual
12. Assemble the valve cover by carefully aligning cover and fastener holes. Tighten the valve cover fasteners to 35 in/ lbs (3.9 Nm).
13. Do the steps again for the other valve.
14. Connect the negative (-) cable at the battery.
15. Install the front panel.
16. Install the 15 Amp fuse into the fuse holder at top of the control box.
17. Install the roof.
18. Restore utility power to the generator.
19. Push the ON/OFF Switch on the side of the generator to the "ON" (I) position.
20. Set the generator mode to AUTO.



Electronic Governor System

The engine electronic governor system allows for improved control and increased generator performance compared to mechanically governed systems. The result is a smooth steady-state operation without the “hunting” common to many mechanical governors. The system also reduces speed variations under engine loading and unloading and significantly reduces frequency fluctuation experienced when the engine is under higher loads.

The electronic governor system is composed of a stepper motor (A) and stepper motor throttle control linkages (B). The control board contains a digital controller that processes engine speed information and sends appropriate commands to the stepper motor to control the position of the engine throttle.

Since the electronic governing system controls the engine throttle demand based on generator load, the following service codes and/or conditions can be related to an electronic governing system issue:

- Engine Does Not Start
- Over Speed
- Under Frequency
- Unstable No Load Engine Control

While troubleshooting these conditions, a verification of the electronic governor system can be initiated through the control panel – Actuator Test.

Electronic Governing Check

The generator has an electronic governing check feature that will turn on the stepper motor and move the throttle linkage clockwise and counterclockwise within the throttle limits. The test will rotate the stepper motor and move the throttle arm between the wide open throttle and dead idle limits for up to 10 seconds. This will allow visual verification that the stepper motor is functioning correctly and the control linkages are connected. The engine will not attempt to start during this test. If the stepper motor does not move, or if a linkage binds, then service will be required.

NOTICE If stepper motor does not move, please make sure the stepper motor connector is attached.

Service the Spark Plugs



WARNING

Unintentional sparking could cause fire or electric shock resulting in death or serious injury.

WHEN ADJUSTING OR MAKING REPAIRS TO YOUR GENERATOR

- Disconnect the spark plug wire from the spark plug and place the wire where it cannot contact spark plug.

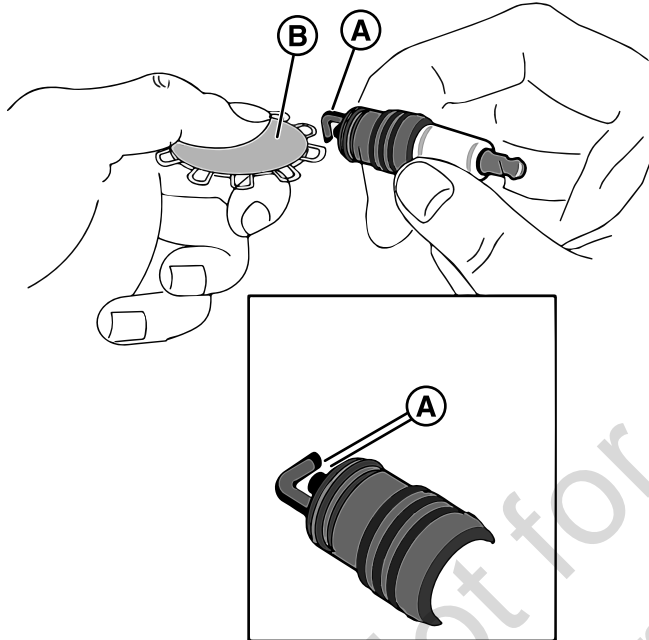
WHEN TESTING FOR ENGINE SPARK

- Use approved spark plug tester.
- DO NOT check for spark with spark plug removed.

Changing the spark plugs will help your engine to start easier and operate better.

1. Push the ON/OFF Switch on the side of the generator to the “OFF” (0) position.



2. Remove utility power to the generator to de-energize the battery charger.
3. Remove the roof.
4. Remove the 15 Amp fuse from the fuse holder at top of the control box.
5. Remove the front panel.
6. Disconnect the negative (-) cable at the battery.
7. Clean the area around spark plugs.
8. Remove and inspect spark plugs.
9. Check electrode gap (A) with wire feeler gauge (B) and reset spark plug gap to recommended gap if necessary (see *Engine Specifications* at the end of this manual).



10. Replace the spark plugs if the electrodes are pitted, burned or the porcelain is cracked. Use the recommended replacement spark plugs (see *Engine Specifications* at the end of this manual).
11. Install the spark plugs and tighten them to 180 in/lbs (20 Nm).
12. Connect the negative (-) cable at the battery.
13. Install the front panel.
14. Install the 15 Amp fuse into the fuse holder at top of the control box.
15. Install the roof.
16. Restore utility power to the generator.
17. Push the ON/OFF Switch on the side of the generator to the "ON" (I) position.
18. Set the generator mode to AUTO.

Engine Air Cleaner

WARNING

  Gaseous vapors are extremely flammable and explosive. Fire or explosion can cause severe burns or death.

- Never start and run the engine with the air cleaner assembly (if equipped) or the air filter (if equipped) removed.

1. Push the ON/OFF Switch on the side of the generator to the "OFF" (0) position.
2. Remove utility power to the generator to de-energize the battery charger.
3. Remove the roof.
4. Remove the 15 Amp fuse from the fuse holder at top of the control box.
5. Remove the front panel.
6. Disconnect the negative (-) cable at the battery.
7. Remove filter cartridge.
8. Clean the outlet tube and check the Dust Unloader Valve (if equipped) - Use a clean cloth to wipe the filter sealing surface and the outlet tube surfaces. Make sure that all contaminant is removed before the new filter is inserted. Do not damage the sealing area on the tube. Check and squeeze the Dust Unloader Valve that is attached to the service cover to make sure it is flexible and not inverted, damaged or plugged.
9. Clean the filter - Use a soft bristle brush to loosen dirt and a vacuum cleaner to remove dirt and debris. Replace the filter cartridge if you find any holes in the filter media.
10. Install the clean filter correctly - Insert the filter carefully. Seat the filter by hand. Make sure it is completely seated in the air cleaner housing before you put the cover in place.
11. Install the service cover. Make sure that all mounting bands, clamps, bolts, and connections in the entire air cleaner system are tight and make sure there are no holes in piping - repair if needed.
12. Connect the negative (-) cable at the battery.
13. Install the front panel.
14. Install the 15 Amp fuse into the fuse holder at top of the control box.
15. Install the roof.
16. Restore utility power to the generator.
17. Push the ON/OFF Switch on the side of the generator to the "ON" (I) position.
18. Set the generator mode to AUTO.

Exhaust System Maintenance



WARNING



Contact with muffler area could cause burns resulting in serious injury.

- DO NOT touch hot parts and AVOID hot exhaust gases.
- Allow equipment to cool before touching.

When inspecting the exhaust system, check the following:

- Inspect the exhaust manifold at the cylinder head for leaks.
- Check that all retaining bolts and shields (if used) are in place.
- Inspect the fasteners between the manifold and the exhaust pipe to make sure they are tight and that there are no exhaust leaks. Repair as necessary.
- Inspect exhaust pipe connection for leaks. Repair as necessary.

It is a violation of California Public Resource Code, Section 4442, to use or operate the engine on any forest-covered, brush-covered, or grass-covered land unless the exhaust system is equipped with a spark arrester, as defined in section 4442, maintained in effective working order. Other states or federal jurisdictions may have similar laws; reference Federal Regulation 36 CFR Part 261.52.

Fuel System Maintenance



WARNING



Propane and Natural Gas are extremely flammable and explosive, which could cause burns, fire or explosion resulting in death or serious injury.

- Inspect the fuel system periodically.
- NO leakage is permitted.
- DO NOT operate engine if smell of fuel is present.

Pressure Regulator

The pressure regulator components have been specifically designed and calibrated to meet the fuel system requirements of the engine.

If the regulator fails to operate or develops a leak, it must be repaired or replaced with the OEM recommended replacement parts. When inspecting the regulator, check the following:

- Check for any fuel leaks at the inlet and outlet fittings.
- Check for any fuel leaks in the regulator body.
- Check to make sure the regulator is correctly mounted and the mounting bolts are tight.
- Check the regulator for external damage.

Mixer/Throttle Control Device

The mixer and throttle body components have been specifically designed and calibrated to meet the fuel system requirements of the engine.

A dirty air filter can significantly alter the mixer performance. Make sure the air filter is clean. When inspecting the mixer and throttle body, check the following:

- Check for leaks at all the fittings.
- Make sure the mixer and throttle body are securely mounted.
- Inspect and clean the air filter element according to the recommended service intervals listed in the maintenance chart.
- Inspect air inlet hose connection and clamp. Inspect hose for cracking, splitting, or chafing. Replace as necessary.
- Check fuel lines for cracking, splitting, or chafing. Replace as necessary.
- Check for leaks at the throttle body and intake manifold.

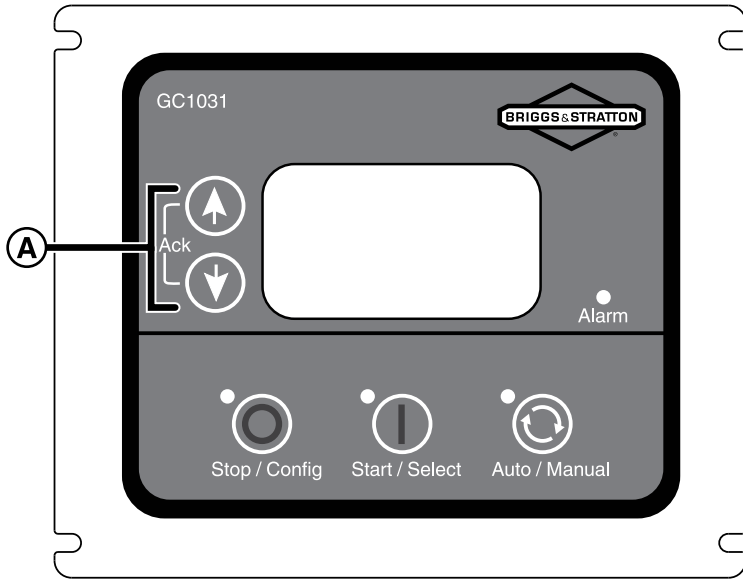
Alarms (Service Code Detection System)

The generator will have to run for long periods of time with no operator present. For that reason, the system is equipped with sensors that automatically shut down the generator in the event of potentially damaging conditions, such as low oil pressure, high temperature, over speed, and other conditions.

The generator's control board shows service alarm descriptions on the digital display. The service alarm descriptions are listed in the "Alarms" section inside the online "Operation Instructions GC1031 GENSET Controller" manual (part number 80086364).

Acknowledge and Reset the Alarms (Service Code Detection System)

Push the up and down arrows (A) simultaneously to reset the alarm.



WARNING

Battery electrolyte fluid contains acid and is extremely caustic. Contact with battery contents could cause severe chemical burns.

- DO NOT open or mutilate the battery
- Wear protective goggles, rubber apron, rubber boots and rubber gloves.
- Immediately wash electrolyte from skin with water.
- If electrolyte contacts eyes, immediately flush with water and seek medical attention.
- Spilled electrolyte is to be washed down with an acid neutralizing agent.

WARNING

Storage batteries give off explosive hydrogen gas during recharging. Slightest spark could ignite hydrogen and cause explosion, resulting in death or serious injury.

- DO NOT dispose of battery in a fire. Recycle battery.
- DO NOT allow any open flame, spark, heat, or lit cigarette during and for several minutes after charging a battery.

Electrical System Maintenance

Wiring and Connections

The generator electrical system incorporates computers to control various components. The electrical system connectors and grounds require good connections. When inspecting the electrical system, check the following:

- Check the positive (+) and the negative (-) battery cables for corrosion, rubbing, chafing, burning, and make sure there are tight connections at both ends.
- Check the battery for cracks or damage to the case. Replace as necessary.
- Inspect the engine wire harness for rubbing, chafing, pinching, burning, and cracks or breaks in the wiring.
- Make sure that the engine harness connectors are correctly locked in.
- Inspect the ignition coil wire for hardening, cracking, chafing, burning, separation, and split boot covers.
- Inspect the spark plug wires for hardening, cracking, chafing, burning, separation, and split boot covers.
- Replace the spark plugs at the required intervals listed in the maintenance chart.
- Make sure that all electrical components are securely mounted to the engine or chassis.
- Make sure that any additional electrical services installed by the owner are correctly installed in the system.

Servicing the Battery

Servicing of the batteries is to be performed or supervised by personnel knowledgeable of batteries and the required precautions. Keep unauthorized personnel away from the batteries.

WARNING

A battery presents a risk of high short circuit current.

- Remove watches, rings, or other metal objects.
- Use tools having insulated handles.
- Disconnect charging source prior to connecting or disconnecting battery terminals.
- Do not lay tools or metal parts on top of batteries.
- Disconnect the negative (-) cable at the battery during installation and maintenance.

1. Push the ON/OFF Switch on the side of the generator to the "OFF" (0) position.
2. Remove utility power to the generator to de-energize the battery charger.
3. Remove the roof.
4. Remove the 15 Amp fuse from the fuse holder at top of the control box.
5. Remove the front panel.
6. Disconnect the negative (-) cable at the battery.
7. Disconnect the positive (+) cable at the battery.
8. Service or replace the battery as required.
9. Connect the positive (+) cable at the battery.
10. Connect the negative (-) cable at the battery.
11. Install the front panel.

12. Install the 15 Amp fuse into the fuse holder at top of the control box.
13. Install the roof.
14. Restore utility power to the generator.
15. Push the ON/OFF Switch on the side of the generator to the "ON" (I) position.
16. Set the generator mode to AUTO.

Replacing the Battery

1. Push the ON/OFF Switch on the side of the generator to the "OFF" (O) position.
2. Remove utility power to the generator to de-energize the battery charger.
3. Remove the roof.
4. Remove the 15 Amp fuse from the fuse holder at top of the control box.
5. Remove the front panel.
6. Disconnect the negative (-) cable at the battery.
7. Disconnect the positive (+) cable at the battery.
8. Remove the battery and install replacement battery.



DON'T POLLUTE. CONSERVE RESOURCES.
RETURN USED BATTERY TO RECYCLING
COLLECTION CENTER.

9. Connect the positive (+) cable at the battery.
10. Connect the negative (-) cable at the battery.
11. Install the front panel.
12. Install the 15 Amp fuse into the fuse holder at top of the control box.
13. Install the roof.
14. Restore utility power to the generator.
15. Push the ON/OFF Switch on the side of the generator to the "ON" (I) position.
16. Set the generator mode to AUTO.

Charging the Battery

If it is necessary to charge the battery, proceed as follows:

1. Push the ON/OFF Switch on the side of the generator to the "OFF" (O) position.
2. Remove utility power to the generator to de-energize the battery charger.
3. Remove the roof.
4. Remove the 15 Amp fuse from the fuse holder at top of the control box.
5. Remove the front panel.
6. Disconnect the negative (-) cable at the battery.

NOTICE Failure to disconnect negative battery cable could result in equipment failure. DO NOT attempt to jump start the generator. Damage to equipment resulting from failure to follow this instruction will void engine and generator warranty.

7. Charge battery with the battery charger at 2 Amps until the battery holds 12 Volts. DO NOT exceed 13.7 volts when charging the battery.

NOTICE DO NOT use a battery booster to quick charge a low battery.

8. Connect the negative (-) cable at the battery.
9. Install the front panel.
10. Install the 15 Amp fuse into the fuse holder at top of the control box.
11. Install the roof.
12. Restore utility power to the generator.
13. Push the ON/OFF Switch on the side of the generator to the "ON" (I) position.
14. Set the generator mode to AUTO.

Troubleshooting

Instructions GC1031 GENSET Controller" manual (part number 80086364)

The service alarm descriptions and their causes are listed in the table of the "Alarms" section inside the online "Operation

Troubleshooting

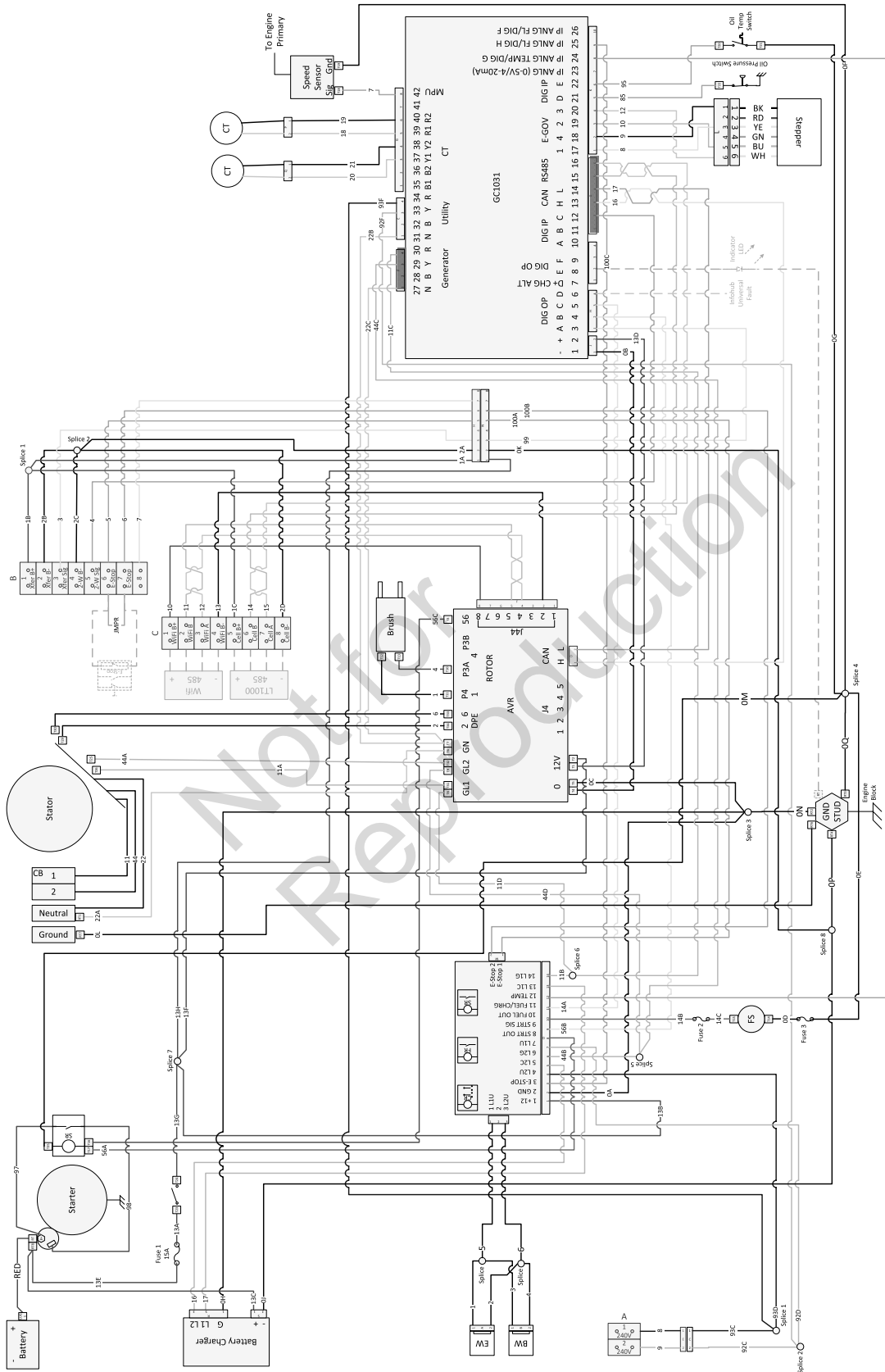
PROBLEM	CAUSE	CORRECTION
Engine is running, but no AC output is available.	<ol style="list-style-type: none"> 1. Circuit breaker is open or defective. 2. Alarm on generator control board. 3. Poor wiring connections or defective transfer switch. 	<ol style="list-style-type: none"> 1. Reset or replace circuit breaker. 2. Refer to <i>Alarms</i> section inside the online "Operation Instructions GC1031 GENSET Controller" manual (part number 80086364). Contact local service facility. 3. Check and repair or contact local service facility.
Engine runs well at no-load but "bogs down" when loads are connected.	<ol style="list-style-type: none"> 1. Generator is overloaded. 2. Short circuit in a connected load. 3. Shorted generator circuit. 4. Fuel pressure or mixture is incorrect. 5. Kinked fuel line between regulator and engine. 6. Clogged air filter. 	<ol style="list-style-type: none"> 1. Remove one or more loads. 2. Disconnect shorted electrical load. 3. Contact local service facility. 4. See <i>Gaseous Fuel System</i> in this manual. 5. Remove kink. Replace if necessary. 6. Clean or replace air filter.
Engine will not start; or starts and runs rough	<ol style="list-style-type: none"> 1. 15 Amp fuse missing or blown. 2. Thermal fuse(s) blown. 3. Fuel supply turned off or depleted. 4. Incorrect fuel selection. 5. Failed battery. 6. Clogged air filter. 7. Throttle linkage binding 	<ol style="list-style-type: none"> 1. Install (new) 15 Amp fuse. See <i>System Control Board</i> 2. Replace thermal fuse(s). 3. Open fuel valve(s); check propane tank. 4. Check fuel selector switch and set to proper setting. (If applicable) 5. Replace battery. 6. Clean or replace air filter. 7. Check linkage.
Engine shuts down during operation.	<ol style="list-style-type: none"> 1. Fuel supply turned off or depleted. 2. Control board digital display shows an alarm. 	<ol style="list-style-type: none"> 1. Check fuel valves, fill propane tank. 2. Refer to <i>Alarms</i> section inside the online "Operation Instructions GC1031 GENSET Controller" manual (part number 80086364).
Loss of power on circuits.	<ol style="list-style-type: none"> 1. Generator circuit breaker is open. 2. Transfer switch problems. 	<ol style="list-style-type: none"> 1. Reset circuit breaker. 2. See transfer switch manual.
Unit will not exercise.	<ol style="list-style-type: none"> 1. Control board not set to AUTO. 2. Exercise timer not set or set to OFF. 3. Unit date and time not set. 4. Failed battery. 5. 15 Amp fuse missing or blown. 	<ol style="list-style-type: none"> 1. Push AUTO button on control board. 2. Set exercise timer. 3. Set unit date and time. 4. Replace the battery. 5. Install a (new) 15 Amp fuse. See <i>System Control Board</i>.
Excessive Vibration	<ol style="list-style-type: none"> 1. Loose mechanical fastener. 	<ol style="list-style-type: none"> 1. Check and repair or contact local service facility.
Odor of fuel	<ol style="list-style-type: none"> 1. Fuel leak. 	<ol style="list-style-type: none"> 1. Turn off manual shutoff fuel valve. Contact local service facility.
Utility power returns, unit does not stop	<ol style="list-style-type: none"> 1. Blown fuses in transfer switch. 2. 5 minute cool down not lapsed. 3. Poor wire connection or defective controllers. 	<ol style="list-style-type: none"> 1. Install (new) fuses. 2. Wait 5 minutes. 3. Check, repair or contact local service facility.
Possible issues in MANUAL MODE	See Table 7 (Common faults and their remedial actions) inside the online "Operation Instructions GC1031 GENSET Controller" manual (part number 80086364).	

Possible issues in AUTO MODE	See Table 7 (Common faults and their remedial actions) inside the online "Operation Instructions GC1031 GENSET Controller" manual (part number 80086364).	
Possible issues with Electronic Governing	See Table 7 (Common faults and their remedial actions) inside the online "Operation Instructions GC1031 GENSET Controller" manual (part number 80086364).	

Not for
Reproduction

Diagrams and Schematics

Wiring Diagram and Schematic



Specifications

Generator Specifications: 12kW

Rated Maximum Load Current* (at 25°C/77°F, LP)*: at 240 Volts	50 Amps
Rated AC Voltage	120/240 Volts
Phase	Single phase
Rated Frequency	60 Hertz
Generator Breaker	60 Amp
Normal Operating Range	-20°F (-28.8°C) to 104°F (40°C)
Output Sound Level	72.3 dB(A) at 23 ft. (7 m) at normal load
Shipping Weight	318 lb (144 kg)

* Natural gas rating will depend on specific fuel but typical derates are between 10 to 20% of the LP gas rating.

Engine Specifications

Displacement	38.26 ci. (627 cc)
Bore	2.972 in. (75.5 mm)
Stroke	2.756 in. (70 mm)
Spark Plug Gap	0.020 in. (0.51 mm)
Spark Plug Torque	180 lb-in. (20 Nm)
Armature Air Gap	0.008 - 0.012 in. (0.20 - 0.30 mm)
Intake Valve Clearance	0.004 - 0.006 in. (0.10 - 0.15 mm)
Exhaust Valve Clearance	0.007 - 0.009 in. (0.18 - 0.23 mm)
Oil Type	5W30 Synthetic
Oil Capacity (with filter)	42 - 45 oz. (1.24 - 1.33 L)

Not for
Reproduction

Índice de contenidos:

Propuesta 65 de California (California Proposition 65)	43	Ajuste la holgura de las válvulas.....	75
Gracias	43	Sistema de regulación electrónica.....	76
Dónde encontrarnos	43	Verificación de regulación electrónica.....	76
Para futuras referencias	43	Mantenimiento de las bujías.....	77
Instrucciones de seguridad importantes	43	Filtro del aire del motor.....	77
Símbolo de alerta de seguridad y palabras de señalización.....	43	Mantenimiento del sistema de escape.....	78
Símbolos de seguridad y significados.....	44	Mantenimiento del sistema de combustible.....	78
Mensajes de seguridad.....	44	Mezclador/Dispositivo de control del acelerador.....	78
Sección 15 de los reglamentos de la FCC - Información para el usuario.....	48	Alarmas (Sistema de detección de códigos de servicio).....	79
Información general	49	Reconozca y reinicie las alarmas (Sistema de detección de códigos de servicio).....	79
Descripción del equipo.....	49	Mantenimiento del sistema eléctrico.....	79
Responsabilidades del instalador.....	49	Solución de problemas	81
Responsabilidades del propietario.....	49	Solución de problemas.....	81
Factores de instalación a considerar.....	49	Diagramas y Esquemas	83
Inspección de entrega.....	49	Diagrama y esquema de cableado.....	83
Contenido del envío.....	49	Especificaciones	84
Ubicación del generador	51	Especificaciones del generador: 12 kW.....	84
Consideraciones sobre la ubicación del generador.....	51	Especificaciones del motor.....	84
Reducir el riesgo de intoxicación por monóxido de carbono.....	51		
Reducir el riesgo de incendio.....	53		
Otras directrices generales de ubicación.....	55		
Instalación	56		
Elevación del generador.....	56		
Kit para clima frío.....	56		
Anclaje y clasificación del viento.....	57		
Ubicaciones de las entradas de electricidad y combustible.....	58		
Tableros de acceso.....	58		
Esquema de instalación de combustible.....	60		
Conexiones del campo eléctrico.....	63		
Tarjeta de control del sistema.....	67		
Arranque inicial (sin carga)	68		
Operación	70		
Características y controles: Generadores de 12 kW.....	70		
Consideraciones importantes del propietario.....	71		
Secuencia de operación automática.....	71		
Configuración del temporizador de actividad.....	71		
Mantenimiento	73		
Mantenimiento del sistema.....	73		
Plan de mantenimiento.....	73		
Mantenimiento del generador.....	73		
Limpieza del generador.....	73		
Mantenimiento del motor.....	74		
Cambio del aceite del motor y el filtro de aceite.....	75		

Propuesta 65 de California (California Proposition 65)



ADVERTENCIA

Este producto puede exponerlo a sustancias químicas entre las que se incluyen aceite de motor, reconocido por el estado de California como causante de cáncer; y monóxido de carbono, reconocido por el estado de California como causante de defectos de nacimiento u otros problemas reproductivos. Para obtener más información, visite www.P65Warnings.ca.gov.

Gracias

Gracias por comprar este generador Briggs & Stratton® de calidad. Nos complace que deposite su confianza en la marca Briggs & Stratton. Cuando se opera y se mantiene de acuerdo con las instrucciones de este manual, su generador proporcionará muchos años de servicio confiable.

Este manual contiene información de seguridad para que sea consciente de los peligros y riesgos asociados con los generadores de energía de emergencia y cómo evitarlos. Este producto sólo se puede utilizar como un sistema generador opcional que proporciona una fuente alternativa de energía eléctrica y para servir a cargas como la calefacción, los sistemas de refrigeración y los sistemas de comunicación que, al detenerse durante cualquier corte de energía, podrían causar molestias o inconvenientes.

GUARDE ESTAS INSTRUCCIONES: este manual contiene instrucciones importantes que deben ser obedecidas durante la instalación, operación y mantenimiento del generador y las baterías.

Este sistema generador requiere una instalación profesional antes de su uso. El instalador debe obedecer las instrucciones completamente.

Dónde encontrarlos

Nunca tendrá que buscar mucho para encontrar soporte y servicio para su equipo. Hay muchos agentes de servicio autorizados en todo el mundo que ofrecen un servicio de calidad. También puede comunicarse con el Servicio de atención al cliente por teléfono al **800-732-2989** entre las 8:00 a. m. y las 5:00 p. m., hora Central, o haga clic en el Localizador de distribuidores en www.briggsandstratton.com, que proporciona una lista de los distribuidores autorizados.

Para futuras referencias

Por favor, complete la siguiente información y guárdela con su recibo. Tenga esta información a mano si es necesario ponerse en contacto con su instalador o distribuidor autorizado en relación con el servicio o la reparación de la unidad.

Fecha de compra: _____

Distribuidor/Vendedor: _____

Número de teléfono del Distribuidor/Vendedor:

GENERADOR:

Número de modelo: _____

Revisión del modelo: _____

Número de serie: _____

MOTOR:

Número de modelo: _____


Número de serie: _____

Instrucciones de seguridad importantes

Se han hecho todos los esfuerzos para garantizar que la información de este manual sea precisa y actualizada. Sin embargo, nos reservamos el derecho de cambiar o mejorar el producto y este documento sin previo aviso.

El fabricante no puede prever todas las circunstancias posibles que pueden implicar un peligro. Las advertencias de este manual, así como las etiquetas y calcomanías que se han fijado a la unidad, no son, por lo tanto, exhaustivas. Si utiliza un procedimiento, método de trabajo o técnica de operación que el fabricante no recomiende, debe asegurarse de que sea seguro para usted y para los demás. También debe asegurarse de que el procedimiento, método de trabajo o técnica operativa que elija no haga que el equipo sea inseguro.

Símbolo de alerta de seguridad y palabras de señalización

El símbolo de alerta de seguridad  identifica información de seguridad sobre peligros que pueden provocar lesiones personales. Se usa una palabra de señalización (**PELIGRO**, **ADVERTENCIA** o **PRECAUCIÓN**) junto con el símbolo de alerta para indicar la probabilidad y la gravedad potencial de las lesiones. Además, se puede usar un símbolo de peligro para representar el tipo de riesgo.



PELIGRO indica un riesgo que, si no se evita, **ocasionará** la muerte o lesiones graves.



ADVERTENCIA indica un riesgo que, si no se evita, **podría** ocasionar la muerte o lesiones graves.



PRECAUCIÓN indica un riesgo que, si no se evita, **podría** ocasionar lesiones leves o moderadas.

AVISO Indica información que se considera importante pero que no está relacionada con un peligro.

Símbolos de seguridad y significados

Símbolo	Significado
	Símbolo de alerta de seguridad. Indica un posible riesgo para su integridad física.
	Lea el manual. El incumplimiento de las advertencias, las instrucciones, el manual de instalación y el manual del operador podría causar la muerte o lesiones graves.
	Incendio
	Explosión
	Descarga eléctrica
	Humos tóxicos
	Piezas móviles
	Lleve puesta la protección para los ojos
	Sustancia química peligrosa
	Superficie caliente
	Partes giratorias

Símbolo	Significado
	Aplastamiento y corte
	Presión explosiva
	Arranque automático

Mensajes de seguridad

ADVERTENCIA


No leer y no seguir las instrucciones de operación, todas las advertencias y el manual del operador podría ocasionar lesiones graves o la muerte.

ADVERTENCIA

Las emisiones del motor contienen monóxido de carbono, un gas nocivo que podría causar la muerte en minutos. No es posible olerlo, verlo o saborearlo. Incluso si no huele los gases del escape, puede estar expuesto al monóxido de carbono.


- Opere este producto ÚNICAMENTE al aire libre en un área que no acumulará gases de escape mortales.
- Dirija el gas de escape alejado de ventanas, puertas, tomas de aire de ventilación, ventilaciones del soffito, espacios reducidos, puertas de garajes abiertas u otras aberturas que pueden permitir que el gas de escape entre o circule hacia estructuras o edificios potencialmente habitados.
- SE DEBEN instalar y mantener detectores de monóxido de carbono en interiores de acuerdo con las instrucciones o recomendaciones del fabricante. Los detectores de humo no detecta el gas de monóxido de carbono.
- Si usted se siente enfermo, adormecido, débil o suena su alarma de monóxido de carbono al utilizar este producto, aléjese hacia un lugar con aire fresco de inmediato. Llame a los servicios de emergencia. Es probable que se haya intoxicado con monóxido de carbono.

 **ADVERTENCIA**

 Las baterías almacenadas emiten hidrógeno explosivo durante las recargas. La chispa más pequeña podría encender el hidrógeno y causar una explosión, lo que puede provocar la muerte o lesiones graves.


- NO elimine una batería en el fuego. Recicle la batería.
- NO permita que se produzca ninguna llama abierta, chispa o calor, ni encienda un cigarrillo mientras carga la batería o durante varios minutos después de la carga.

 **ADVERTENCIA**

 El fluido de electrolito de las baterías contiene ácido y es extremadamente cáustico. El contacto con el contenido de la batería podría producir quemaduras químicas graves.


- NO abra ni destruya la batería.
- Use gafas de protección, así como delantal, botas y guantes de goma.
- Lave inmediatamente el electrolito de la piel con agua.
- Si el electrolito entra en contacto con los ojos, enjuague inmediatamente con agua y busque atención médica.
- El electrolito derramado debe limpiarse con un agente neutralizador de ácido.

 **ADVERTENCIA**

 Las baterías presentan un riesgo de descarga eléctrica y alta corriente de cortocircuito.


- Quítese el reloj, los anillos u otros objetos metálicos.
- Use herramientas con mangos aislados.
- Desconecte la fuente de carga antes de conectar o desconectar las terminales de la batería.
- No coloque herramientas o partes metálicas encima de las baterías.
- Desconecte el cable negativo (-) de la batería durante la instalación y mantenimiento.

 **ADVERTENCIA**

 Si el generador no se aísla de la red de energía, se podría provocar la muerte o lesiones graves a los trabajadores del servicio eléctrico debido a la inversión de energía eléctrica.


- Use un conmutador de transferencia indicado para conectar a un sistema eléctrico en construcción.

 **ADVERTENCIA**

 El voltaje del generador y de la red pública podría provocar una descarga eléctrica o quemaduras, lo que podría ocasionar la muerte o lesiones graves.


- La instalación debe realizarla un profesional calificado.
- Desconecte todas las fuentes de electricidad antes de instalar o hacer mantenimiento al equipo.
- Conecte el sistema a tierra antes de aplicar energía.

 **ADVERTENCIA**

 Voltaje peligroso: La instalación de cables de voltaje bajo y alto en el mismo conducto podría provocar una descarga eléctrica o quemaduras, lo que podría ocasionar la muerte o lesiones graves.


- No opere un cable de voltaje bajo y alto en el mismo conducto a menos que la clasificación del aislamiento en TODOS los cables sea de 600 V. Consulte NFPA 70 para más información.

 **ADVERTENCIA**

 El calor/los gases de escape podrían encender combustibles o estructuras, lo que podría ocasionar lesiones graves o la muerte.



- La salida de escape del gabinete debe estar a al menos 5 pies (1,5 m) de distancia de cualquier estructura, arbusto, árbol u otro tipo de vegetación.
- El gabinete debe estar al menos a 5 pies (1,5 m) de distancia de ventanas, puertas, aberturas, arbustos u otro tipo de vegetación de más de 12 pulgadas (30,5 cm) de alto.
- El gabinete debe estar a una distancia mínima de 5 pies (1,5 m) por encima de cualquier estructura, obstáculo colgante o árbol.
- NO coloque el gabinete debajo de una plataforma u otro tipo de estructura que podría obstaculizar el flujo de aire.
- SE DEBEN instalar y mantener detectores de humo en interiores de acuerdo con las instrucciones del fabricante. Los detectores de monóxido de carbono no detectan el humo.
- Coloque el gabinete únicamente como se muestra en las ilustraciones.

 **ADVERTENCIA**

 El calor/los gases de escape podrían encender combustibles, lo que podría ocasionar lesiones graves o la muerte.


- Retire los materiales combustibles del compartimiento del generador y alrededores.

 **ADVERTENCIA**

  Los vapores gaseosos son extremadamente inflamables y explosivos. El fuego o la explosión pueden causar quemaduras graves o la muerte.


- Nunca arranque y haga funcionar el motor sin el conjunto de filtro de aire (si está equipado) o el filtro de aire (si está equipado).

 **ADVERTENCIA**

 Con la batería conectada, el generador puede girar y arrancar sin aviso, lo que podría provocar la muerte o lesiones graves.


- No conecte el cable negativo (-) en la batería hasta finalizar la instalación.

 **ADVERTENCIA**

 Con la batería conectada, el generador puede girar y arrancar sin aviso, lo que podría provocar la muerte o lesiones graves.


- Antes de reparar el equipo, apague el generador y desconecte el cable negativo (-) de la batería.

 **ADVERTENCIA**

 Voltaje peligroso: El contacto con las líneas de alta tensión podría provocar una descarga eléctrica o quemaduras, lo que podría ocasionar la muerte o lesiones graves.


- Si se utiliza equipo de elevación o izado, NO debe entrar en contacto con las líneas de alta tensión.
- NO levante ni mueva el generador sin ayuda.

 **ADVERTENCIA**

 El gas propano y el gas natural son extremadamente inflamables y explosivos y pueden causar quemaduras, incendios o explosiones que podrían ocasionar lesiones graves o la muerte.


- La instalación debe realizarla un profesional calificado.
- Instale el sistema de suministro de combustible de acuerdo con NFPA 37 y otros códigos de gas combustible aplicables.
- Antes de poner en funcionamiento el generador, las líneas del sistema de combustible se deben purgar correctamente y se debe verificar que no haya ninguna pérdida.
- NO puede haber ninguna pérdida.
- NO opere la máquina si siente olor a combustible.

 **ADVERTENCIA**

 El gas propano y el gas natural son extremadamente inflamables y explosivos y pueden causar quemaduras, incendios o explosiones que podrían ocasionar lesiones graves o la muerte.

- El generador está equipado con una válvula de “cierre de combustible” de seguridad automática.
- NO utilice el equipo si falta la válvula de “cierre de combustible” o si no funciona.

 **ADVERTENCIA**

 El gas propano y el gas natural son extremadamente inflamables y explosivos y pueden causar quemaduras, incendios o explosiones que podrían ocasionar lesiones graves o la muerte.

- El gas PL es más pesado que el aire y se asentará en áreas bajas.
- El gas natural es más liviano que el aire y se acumulará en áreas altas.
- La chispa más pequeña podría encender estos combustibles y causar una explosión.
- NO encienda cigarrillos ni fume.



ADVERTENCIA



El gas propano y el gas natural son extremadamente inflamables y explosivos y pueden causar quemaduras, incendios o explosiones que podrían ocasionar lesiones graves o la muerte.

- Inspeccione el sistema de combustible de manera periódica.
- NO puede haber ninguna pérdida.
- NO opere la máquina si siente olor a combustible.



ADVERTENCIA



El voltaje del generador y de la red pública podría provocar una descarga eléctrica o quemaduras, lo que podría ocasionar la muerte o lesiones graves.

- NO permita que personas no calificadas utilicen o reparen este equipo.



ADVERTENCIA

Cualquier chispa generada involuntariamente podría causar incendios o descargas eléctricas, lo que podría provocar lesiones graves o incluso la muerte.

AL AJUSTAR O REPARAR EL GENERADOR

- Desconecte el cable de la bujía y colóquelo en un lugar donde no pueda entrar en contacto con la bujía.

AL PROBAR LA BUJÍA DEL MOTOR

- Use un probador de bujías aprobado.
- NO revise si hay chispas con la bujía extraída.

AVISO Un tratamiento inadecuado del generador podría dañarlo y acortar su vida.

- Utilice el generador sólo para los usos previstos.
- Si tiene preguntas sobre el uso previsto, póngase en contacto con su distribuidor autorizado.
- Opere el generador sólo en superficies planas.
- El flujo adecuado y sin obstrucciones del aire de refrigeración y ventilación es fundamental para el correcto funcionamiento del generador.
- Los tableros de acceso/puertas se instalan siempre que la unidad esté en funcionamiento.
- NO exponga el generador a una excesiva humedad, polvo, suciedad o vapores corrosivos.
- Esté alerta en todo momento mientras utiliza este equipo. Nunca utilice el equipo si tiene cansancio físico o mental.
- NO inserte ningún objeto a través de las ranuras de refrigeración.
- NO UTILICE el generador o cualquiera de sus partes como un escalón. Pisar la unidad podría causar tensión y romper partes. Esto puede dar lugar a condiciones de funcionamiento peligrosas por fugas de gases de escape, fugas de combustible, fugas de aceite, etc.
- Apague el generador si:
 - se pierde la salida eléctrica.
 - el equipo chispea, echa humo o emite llamas.
 - la unidad vibra excesivamente o hace ruidos inusuales.

Sección 15 de los reglamentos de la FCC - Información para el usuario

De acuerdo con el artículo 15.21 de las Reglas FCC, se le advierte que cambios o modificaciones realizados al producto que no hayan sido aprobados expresamente por Briggs & Stratton pueden anular su autoridad para operar el producto.

Este dispositivo cumple con la Sección 15 de las reglas FCC.

La operación está sujeta a las siguientes dos condiciones: (1) Este dispositivo puede no causar interferencia peligrosa, y (2) este dispositivo debe aceptar la interferencia recibida, lo que incluye a la interferencia que pudiere causar una operación no deseada.

Este equipo fue probado y se determinó que cumple con los límites para un dispositivo digital de Clase B, de acuerdo con la sección 15 de las Reglas FCC. Estos límites fueron diseñados para brindar una protección razonable contra la interferencia peligrosa en una instalación residencial.

Este equipo genera, usa y puede irradiar energía de radiofrecuencia y, si no se instala y usa de acuerdo con las instrucciones, podría ocasionar la interferencia peligrosa de las radiocomunicaciones. Sin embargo, no se garantiza que la interferencia no ocurra en una instalación particular. Se alienta al usuario a que, en caso de que el equipo provoque una interferencia peligrosa a la recepción de radio o televisión (lo que puede determinarse al apagar y encender el equipo), trate de corregir dicha interferencia al tomar una o más de las siguientes medidas:

- Reorientar o reubicar la antena receptora.
- Aumentar la separación entre el equipo y el receptor.
- Conectar el equipo a un tomacorriente en un circuito que no sea al cual el receptor está conectado.
- Consultar con el proveedor o un técnico experimentado en radio/TV para obtener ayuda.

Información general

Para la mayoría de las aplicaciones, este manual contiene la información necesaria para la correcta instalación, operación y mantenimiento del equipo. Se han hecho todos los esfuerzos para garantizar que la información de este manual sea precisa y actualizada. Nos reservamos el derecho de cambiar el producto y este documento sin previo aviso.

Descripción del equipo

AVISO Este producto NO reúne los requisitos de un sistema de reserva de emergencia o un sistema de reserva cómo lo requiere la ley, tal como se define en la NFPA 70 (NEC).

- Los sistemas generadores de emergencia se destinan a suministrar automáticamente iluminación, energía, o ambas cosas, a las zonas y equipos designados en caso de que falle el suministro normal. Los sistemas de emergencia también pueden proporcionar energía para funciones tales como la ventilación cuando sea esencial para mantener la vida, en los casos en que la interrupción actual del suministro normal produciría graves peligros para la seguridad de la vida o la salud.
- Los sistemas generadores de reserva exigidos por la ley tienen por objeto suministrar automáticamente energía a las cargas seleccionadas en caso de que se produzca una falla de la fuente normal que pueda crear peligros o dificultar las operaciones de rescate o de lucha contra incendios.

Responsabilidades del instalador

- Lea y siga las instrucciones de seguridad.
- Instale sólo un interruptor de transferencia aprobado por NRTL que sea compatible con el generador.
- Lea y siga las instrucciones de este Manual de instalación y funcionamiento.
- La instalación debe cumplir estrictamente con todos los códigos, estándares de la industria, leyes y regulaciones aplicables.
- Deje suficiente espacio en todos los lados del generador para el mantenimiento y el servicio.
- Comente la colocación del generador con el propietario.
- Asegúrese de que TODOS los manuales queden en poder del propietario después de que la instalación haya sido completada.

Responsabilidades del propietario

- Lea y siga las instrucciones de este Manual de instalación y funcionamiento.
- Siga un programa regular de mantenimiento y uso del generador, como se especifica en este manual.
- SE DEBEN instalar y mantener detectores de monóxido de carbono en interiores de acuerdo con las instrucciones y recomendaciones del fabricante. Los detectores de humo no detecta el gas de monóxido de carbono.

- SE DEBEN instalar y mantener detector(es) de humo en interiores de acuerdo con las instrucciones y recomendaciones del fabricante. Los detectores de monóxido de carbono no detectan el humo.

Factores de instalación a considerar

Las ilustraciones que se muestran en este manual son para circunstancias típicas. La finalidad es que se familiarice con las opciones de instalación disponibles para el generador.

Los códigos federales y locales, el aspecto, los niveles de ruido, los tipos de combustible y las distancias son factores de instalación que deben ser considerados. Recuerde que, a medida que aumenta la distancia del servicio eléctrico y el suministro de combustible gaseoso existentes, y aumenta el número de curvas en el suministro de combustible, deben hacerse compensaciones por los materiales de las tuberías y el cableado. Esto es necesario para cumplir con los códigos locales y superar las caídas de tensión eléctrica y las caídas de presión del combustible gaseoso.

Inspección de entrega

Evite daños por caídas, golpes o colisiones con la caja de envío.

Después de retirar el cartón, inspeccione cuidadosamente el generador para ver si hay algún daño que pudo ocurrir durante el envío.

Si se encuentra una pérdida o daño en el momento de la entrega, haga que la(s) persona(s) que hace(n) la entrega anote(n) la pérdida o daño en la factura de flete y ponga su firma en el memorando de pérdida o daño del expedidor.

Si la pérdida o el daño se anotan después de la entrega, separe los materiales dañados y póngase en contacto con el transportador para los procedimientos de reclamación. Las piezas faltantes o dañadas no tienen garantía.

Contenido del envío

El sistema generador se suministra con:

- Aceite (5W30 sintético)
- Línea de combustible flexible
- Manual rápido de uso
- Folleto de garantía de productos y emisiones
- 2 llaves de acceso
- Fusible tipo ATO de 15 amperios
- Correa de sujeción de la batería
- Tapón a prueba de manipulaciones
- Cantidad (2) 1/4-20 Tornillos (para lograr una clasificación de viento de 140-175 mph).
- 4 tapas de agujeros de elevación
- Retoque la pintura

No está incluido (lo(s) necesitará):

- Detector(es) de monóxido de carbono
- Detector(es) de humo
- Batería de arranque
- Cable y conducto de conexión
- Válvulas de suministro de combustible/plomería


- Grúa, correas de elevación, cadenas o cables
- Dos longitudes de 60 pulg (152 cm) de 3/4 pulg (1,9 cm) mínimo nominal de tubería de acero Schedule 40 (NO de conducto)
- Destornillador de par de apriete, rango de 5 a 50 pulgadas-libra
- Multi-metro

Not for
Reproduction

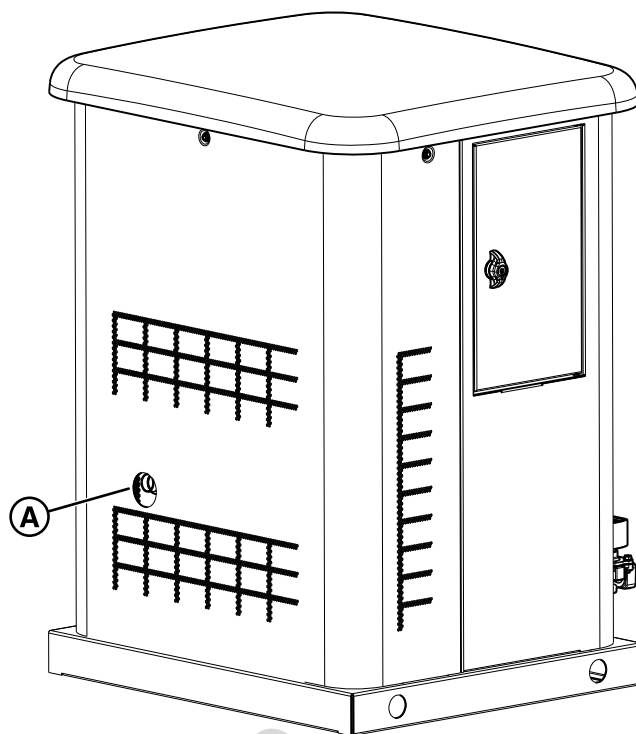
Ubicación del generador

Antes de instalar el generador, consulte con el propietario y comuníquese los siguientes requisitos, que deben cumplirse antes de completar la instalación. Hay dos preocupaciones de seguridad igualmente importantes en relación con la intoxicación por monóxido de carbono y el fuego. También hay varias directrices generales de localización que deben cumplirse antes de que la instalación se considere completa.

ADVERTENCIA

 Las emisiones del motor contienen monóxido de carbono, un gas nocivo que podría causar la muerte en minutos. No es posible olerlo, verlo o saborearlo. Incluso si no huele los gases del escape, puede estar expuesto al monóxido de carbono.

- Opere este producto ÚNICAMENTE al aire libre en un área que no acumulará gases de escape mortales.
- Dirija el gas de escape alejado de ventanas, puertas, tomas de aire de ventilación, ventilaciones del soffito, espacios reducidos, puertas de garajes abiertas u otras aberturas que pueden permitir que el gas de escape entre o circule hacia estructuras o edificios potencialmente habitados.
- SE DEBEN instalar y mantener detectores de monóxido de carbono en interiores de acuerdo con las instrucciones o recomendaciones del fabricante. Los detectores de humo no detecta el gas de monóxido de carbono.
- Si usted se siente enfermo, adormecido, débil o suena su alarma de monóxido de carbono al utilizar este producto, aléjese hacia un lugar con aire fresco de inmediato. Llame a los servicios de emergencia. Es probable que se haya intoxicado con monóxido de carbono.



(A) Lado de salida del escape del recinto.

Consideraciones sobre la ubicación del generador

La ubicación de la instalación del generador tiene un efecto directo sobre:

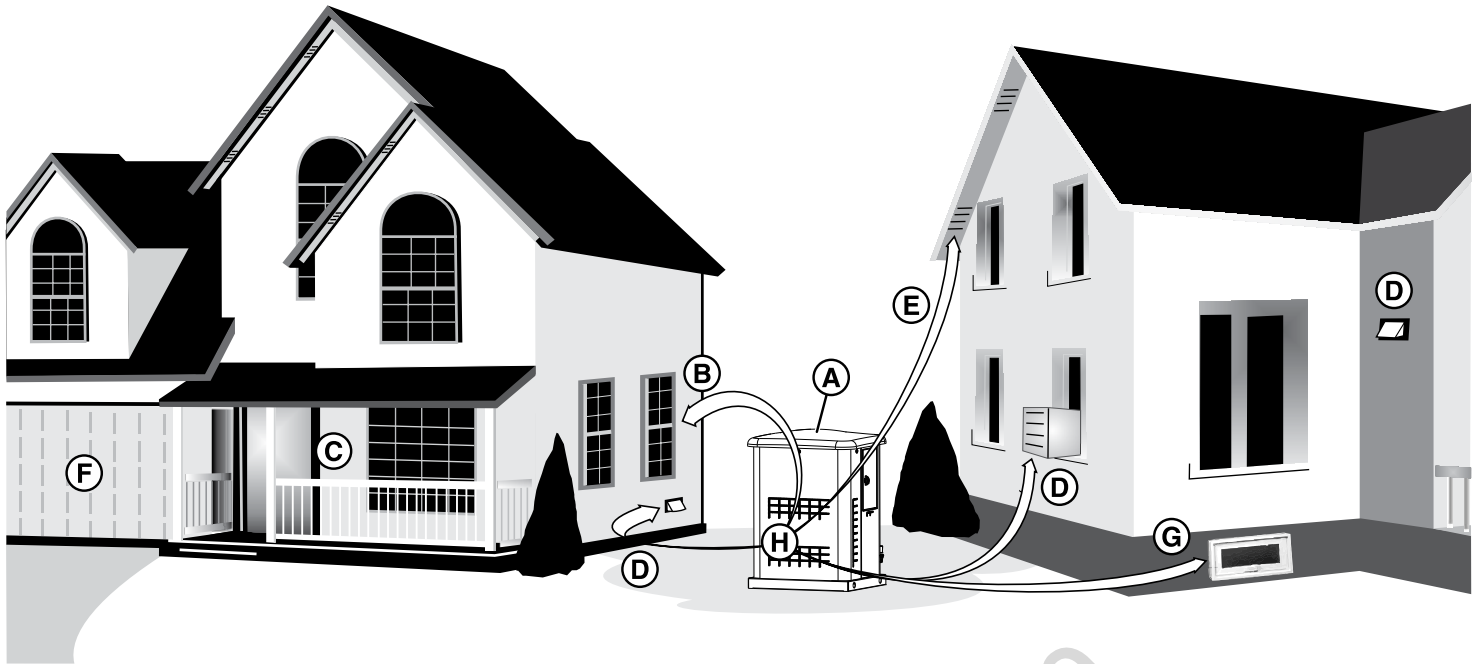
1. La cantidad y el tamaño de las tuberías necesarias para alimentar el generador.
2. La cantidad y el tamaño del cableado necesario para controlar y conectar el generador.
3. La seguridad de la instalación en lo que respecta a los peligros de los gases de escape y al monóxido de carbono, los riesgos de incendio, la proximidad a otros servicios públicos y la exposición a los elementos meteorológicos.

Las indicaciones específicas de ubicación se analizan en la siguiente sección. El propietario y el instalador deben consultarse mutuamente para determinar cómo puede afectar el sitio a los costos de instalación y al cumplimiento de los códigos y normas locales.

Hay dos preocupaciones críticas de seguridad que deben abordarse: la intoxicación por monóxido de carbono y el riesgo de incendio, como sigue:

Reducir el riesgo de intoxicación por monóxido de carbono

Las flechas y las letras de la figura siguiente señalan los posibles puntos de entrada del gas monóxido de carbono.



Todos los equipos de quema de combustibles fósiles, como los generadores de energía de emergencia (A), contienen gas de monóxido de carbono (CO) en el escape del motor. El gas CO es inodoro, incoloro e insaboro y es poco probable que se note hasta que una persona se intoxique. El gas CO puede matar, por lo que se requiere que se incluya lo siguiente como parte de la instalación.

- Instale el generador (A) en el exterior en un área que no acumule gases de escape mortales (H).
- NO instale el generador (A) en un lugar donde los gases de escape (H) puedan acumularse y entrar en el interior o ser atraídos hacia un edificio o estructura potencialmente ocupada.
- En muchos estados se requiere por ley tener un detector de Monóxido de Carbono (CO) que funcione en su casa. SE DEBEN instalar y mantener detectores de monóxido de carbono en interiores de acuerdo con las instrucciones o recomendaciones del fabricante. Un detector de CO es un dispositivo electrónico que detecta niveles peligrosos de CO. Cuando haya una acumulación de CO, el detector alertará a los ocupantes con una alarma y hará parpadear una luz indicadora visual. Las alarmas de humo no pueden detectar el gas CO.
- Su(s) vecino(s) en casa puede(n) estar expuesto(s) al escape del motor (H) de su generador de energía de emergencia (A) y debe(n) tenerse en cuenta al instalar su generador de energía de emergencia.
- Asegúrese que el gas de escape (H) se mantenga alejado de:

(B) Ventanas

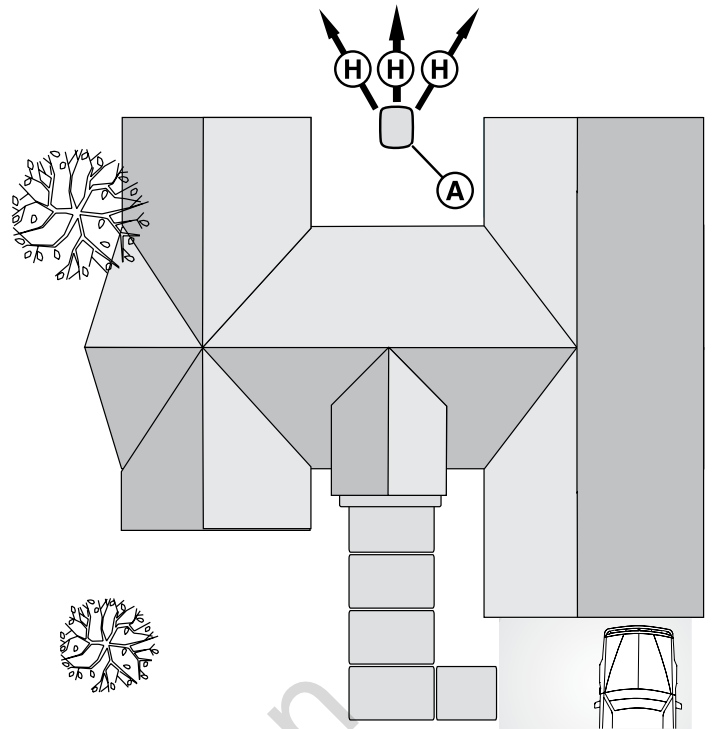
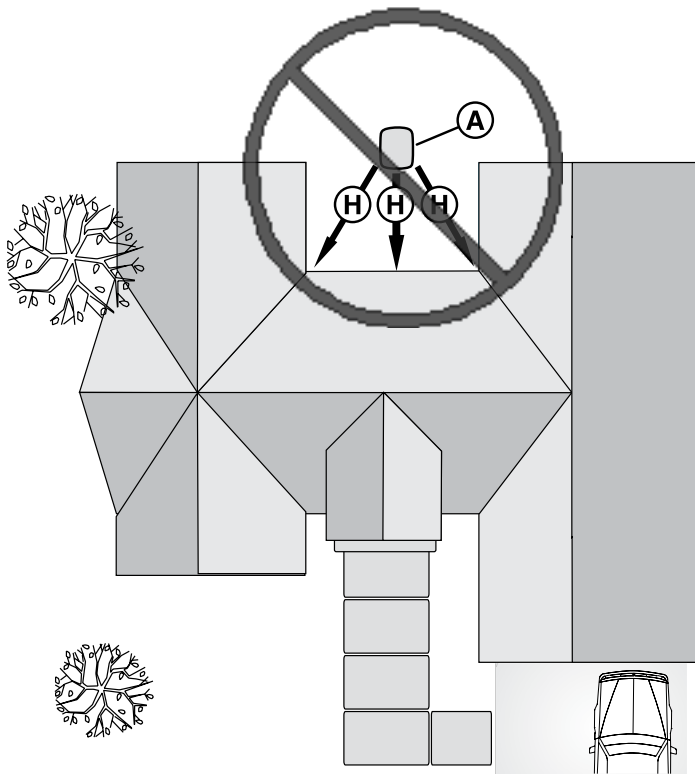
(C) Puertas

(D) Entradas de ventilación

(E) Ventilación del soffito

(F) Puertas de garaje

(G) Los espacios de acceso u otras aberturas que puedan permitir que los gases de escape entren en el interior o sean arrastrados hacia un edificio o estructura potencialmente ocupados.




- Las estructuras cercanas pueden estar expuestas al escape del motor (H) del generador (A) y deben tenerse en cuenta al instalar el generador de reserva.
- El viento y las corrientes de aire deben tenerse en cuenta al posicionar el generador (A). Coloque el generador en un área donde los vientos transporten el gas de escape lejos de cualquier edificio o estructura potencialmente ocupada.
- NO coloque el generador de reserva (A) en un área donde se puedan acumular hojas o residuos

Reducir el riesgo de incendio

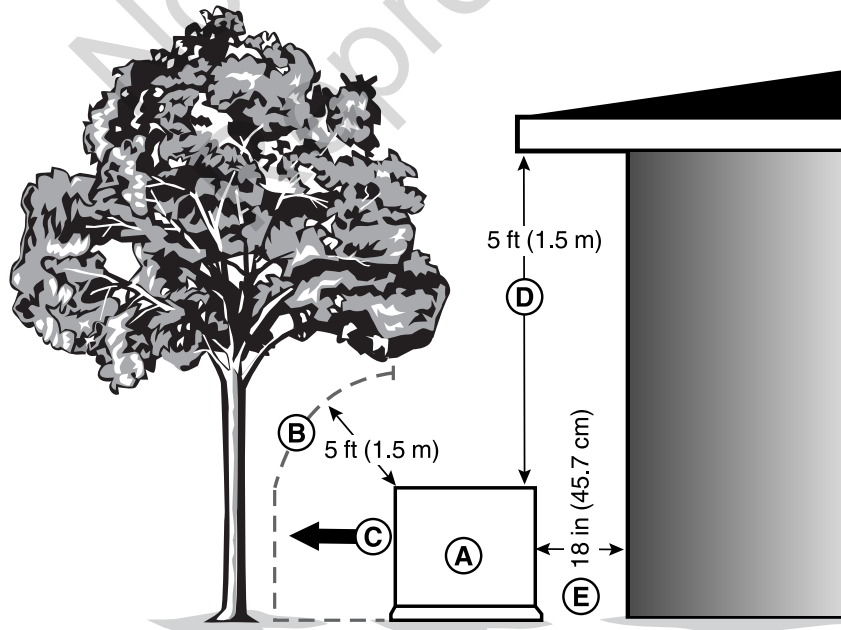
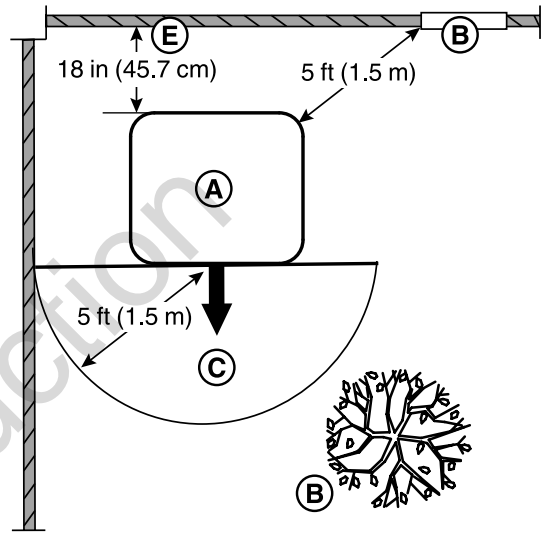
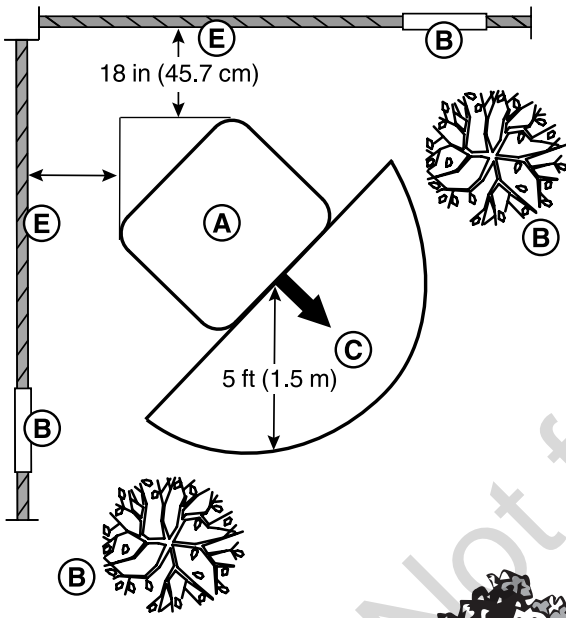
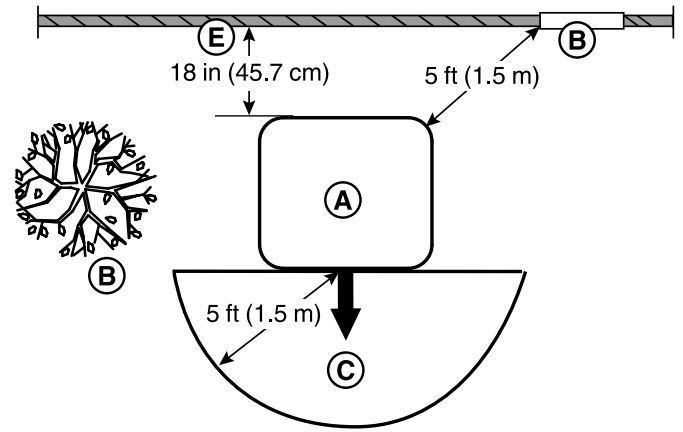
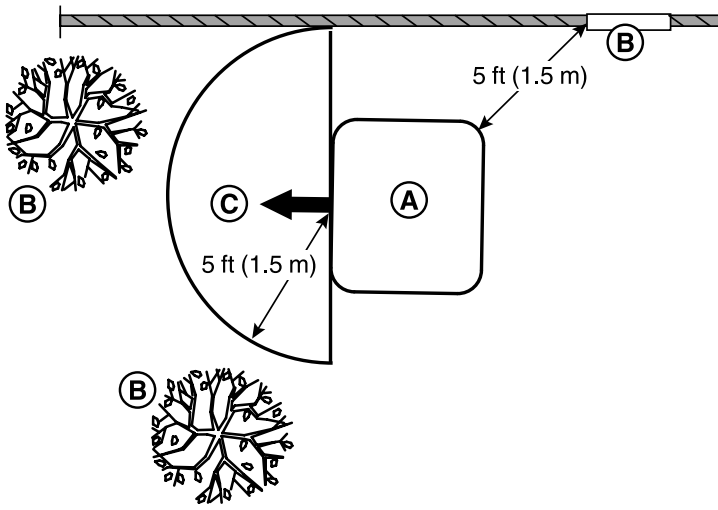
Obedezca los requisitos de instalación que se enumeran a continuación. Las siguientes figuras ilustran las distancias mínimas de las estructuras y la vegetación para reducir el riesgo de incendio.

La norma NFPA 37 de la Asociación Nacional de Protección contra Incendios (NFPA) establece criterios para reducir al mínimo el peligro de incendio durante la instalación y el funcionamiento de los motores de combustión estacionarios. La NFPA 37 limita el espacio de un generador cerrado a las aberturas en las paredes, estructuras y materiales combustibles fuera del recinto. Los siguientes requisitos de ubicación de los generadores se basan en el cumplimiento de la NFPA 37.

ADVERTENCIA

 El calor/los gases de escape podrían encender combustibles o estructuras, lo que podría ocasionar lesiones graves o la muerte.

- La salida de escape del gabinete debe estar a al menos 5 pies (1,5 m) de distancia de cualquier estructura, arbusto, árbol u otro tipo de vegetación.
- El gabinete debe estar al menos a 5 pies (1,5 m) de distancia de ventanas, puertas, aberturas, arbustos u otro tipo de vegetación de más de 12 pulgadas (30,5 cm) de alto.
- El gabinete debe estar a una distancia mínima de 5 pies (1,5 m) por encima de cualquier estructura, obstáculo colgante o árbol.
- NO coloque el gabinete debajo de una plataforma u otro tipo de estructura que podría obstaculizar el flujo de aire.
- SE DEBEN instalar y mantener detectores de humo en interiores de acuerdo con las instrucciones del fabricante. Los detectores de monóxido de carbono no detectan el humo.
- Coloque el gabinete únicamente como se muestra en las ilustraciones.



Leyenda para las ubicaciones de los generadores para reducir el riesgo de incendio:

(A) Generador de reserva

(B) El recinto de reserva debe estar al menos a 5 pies (1,5 m) de las ventanas, puertas, cualquier abertura en la pared, arbustos o vegetación de más de 12 pulgadas (30,5 cm) de altura.

(C) La salida de escape del recinto de reserva debe tener una distancia mínima de 5 pies (1,5 m) de cualquier estructura, arbustos, árboles o cualquier tipo de vegetación.

(D) El recinto de reserva debe tener un mínimo de 5 pies (1,5 m) de distancia por encima de cualquier estructura, saliente o árboles.

(E) El recinto de reserva debe tener un mínimo de 18 pulgadas (45,7 cm) de separación de cualquier estructura con o sin clasificación de incendio.

Otras directrices generales de ubicación

- Coloque el generador de energía de emergencia en un lugar plano preparado y que esté adecuado para el drenaje de agua.
- Instale el generador de energía de emergencia en un lugar donde la descarga de la bomba del sumidero, el bajante del desagüe de lluvia, el escurrimiento del techo, el riego del jardín o los rociadores de agua no inunden la unidad o rocíen el recinto y entren en las aberturas de entrada o salida de aire.
- Instale el generador de energía de emergencia en un lugar donde no afecte ni obstruya ninguno de los servicios (incluidos la cubierta, la oculta y la subterránea), como el teléfono, la electricidad, el combustible (gas natural/vapor de GLP), el riego, el aire acondicionado, el cable, la fosa séptica, el alcantarillado, el pozo, etc.
- Instale el generador de energía de emergencia donde las hojas, la hierba, la nieve, etc. no obstruyan las aberturas de entrada y salida de aire. Si los vientos predominantes provocan sacudidas o desviaciones, puede que sea necesario construir un cortavientos para proteger la unidad.

Instalación

Este producto sólo se puede utilizar como un sistema generador opcional que proporciona una fuente alternativa de energía eléctrica y para servir a cargas como la calefacción, la refrigeración y los sistemas de comunicación que, cuando se detienen durante cualquier corte de energía, pueden causar molestias o inconvenientes.

Se han hecho todos los esfuerzos para garantizar que la información de este manual sea precisa y actualizada. Sin embargo, nos reservamos el derecho de cambiar, alterar o mejorar el producto y este documento en cualquier momento sin previo aviso.

Sólo los profesionales de la electricidad y la fontanería con licencia vigente pueden intentar instalar sistemas de generadores. Las instalaciones deben cumplir estrictamente con todos los códigos, normas de la industria, leyes y reglamentos aplicables.

Elevación del generador



ADVERTENCIA

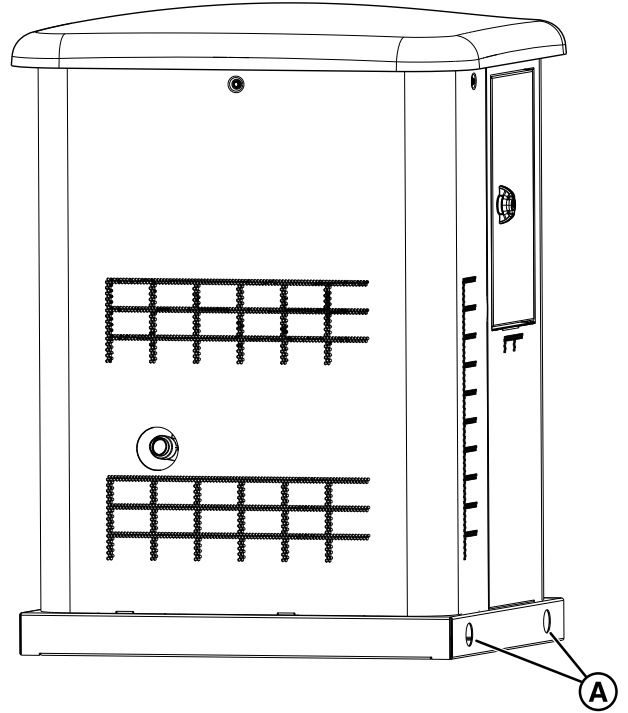


Voltaje peligroso: El contacto con las líneas de alta tensión podría provocar una descarga eléctrica o quemaduras, lo que podría ocasionar la muerte o lesiones graves.

- Si se utiliza equipo de elevación o izado, NO debe entrar en contacto con las líneas de alta tensión.
- NO levante ni mueva el generador sin ayuda.

En todas las fases de la manipulación y el traslado del generador deben utilizarse las herramientas, el equipo y el personal cualificado adecuados. El peso aproximado del generador se indica en la sección *Especificaciones del generador*.

Utilice los orificios de elevación (A) en la base del generador para levantar el generador sobre la placa de hormigón/almohadilla. Levante el generador de acuerdo con la OSHA o las regulaciones locales de levantamiento.



Kit para clima frío

Si el generador funciona a temperaturas inferiores a 30 °F (-1 °C), es MUY RECOMENDADO que se instale un kit para clima frío.

El kit de clima frío, parte No. 6578 (modelos Fortress) incluye:

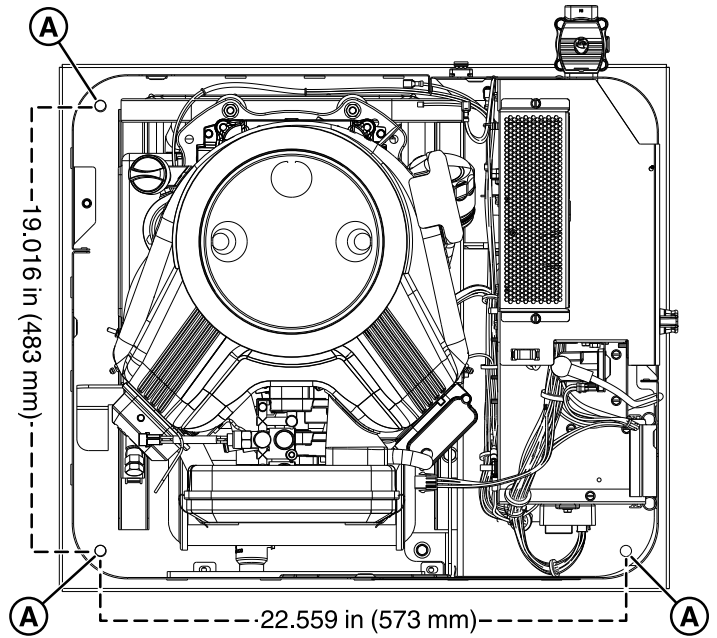
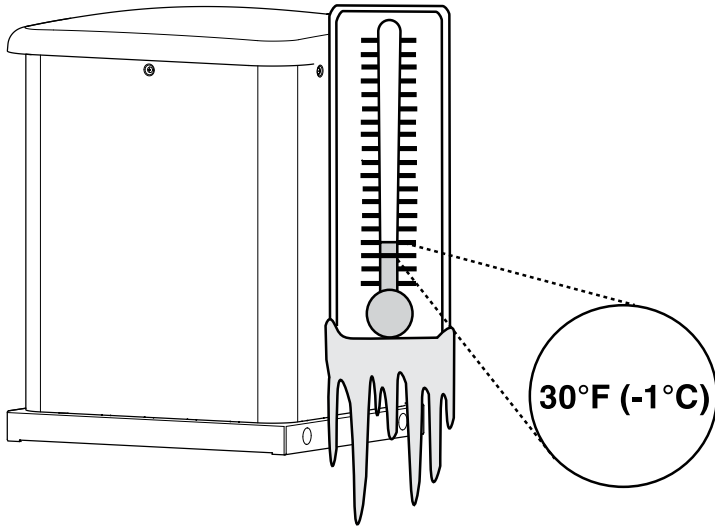
- Calentador de batería
- Soporte de la batería

El kit de clima frío, parte No. 6567 (modelos Briggs & Stratton) incluye:

- Calentador de aceite
- Calentador de batería
- Soporte de la batería
- Arnés de cables

Estos artículos están disponibles en su distribuidor local.

Si necesita más información, por favor llame al **800-732-2989** entre las 8:00 a. m. y las 5:00 p. m. hora del Centro.



Anclaje y clasificación del viento

Anclaje de hormigón de la unidad a la placa vertida o existente

Para alcanzar la clasificación de viento indicada, el generador debe ser instalado en estricto cumplimiento de este manual de instalación. Los componentes del producto deben ser del material especificado y todos los tornillos se deben instalar de acuerdo con las disposiciones aplicables y las instrucciones de instalación publicadas por el fabricante del anclaje.

La placa de hormigón/almoHADILLA debe cumplir los requisitos que se indican a continuación y el generador debe anclarse con los anclajes de los **Tipos de anclaje 1 o 2**.

Tipos de anclaje

1. Cantidad (3) 3/8 pulg SS ITW RED HEAD LDT, Ancla empotrada 2 ½ pulg (63,5 mm) en concreto de 3000 psi. A 3 pulg (76,2 mm) del borde mínimo, 6 pulg (152,4 mm) de separación mínima.
2. Cantidad (3) 3/8 pulg SS Powers/Dewalt Power Stud +SD2 Anchor incrustado 2 ½ pulg (63,5 mm) en concreto de 3000 psi. A 3 pulg (76,2 mm) del borde mínimo, 6 pulg (152,4 mm) de separación mínima.

Hay tres agujeros de 7/16 pulg (A) en la base del generador en los que fijar la unidad.

Tipos de placas/almoHADILLAS de hormigón

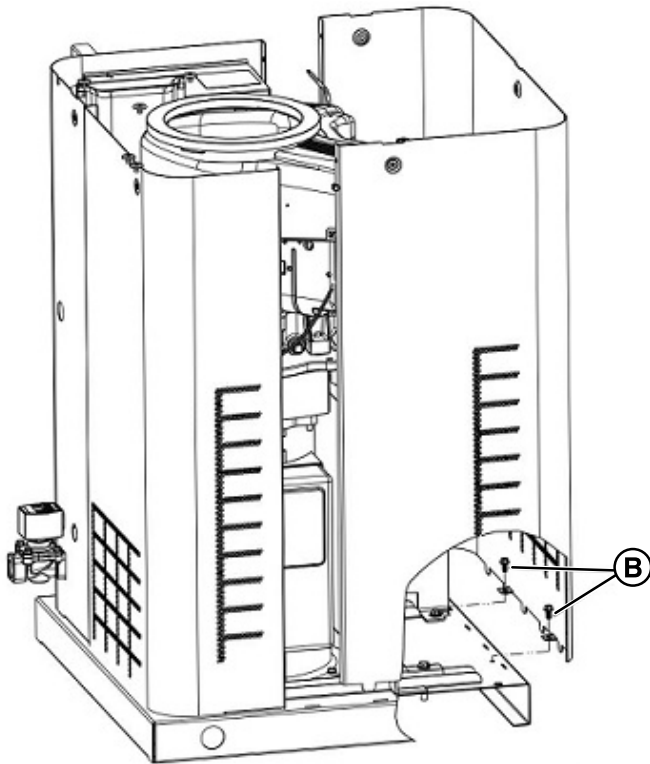
CLASIFICACIÓN DEL VIENTO MPH	MODELO DE ALMOHADILLA	DIMENSIONES DE LA ALMOHADILLA			ESPECIFICACIÓN DE HORMIGÓN
		Ancho	Largo	Espesor	
Hasta 140	AlmoHADILLA prefabricada (contacte con el distribuidor)	29 in (736,6 mm)	32 in (812,8 mm)	3 in (76,2 mm)	3000 PSI
140 a 175	AlmoHADILLA prefabricada (contacte con el distribuidor)	29 in (736,6 mm)	32 in (812,8 mm)	4 in (101,6 mm)	3000 PSI
140 a 175	Vertido	30 in (762 mm)	32 in (812,8 mm)	5 in (127 mm)	3000 PSI

Estos artículos están disponibles en su distribuidor local.

AVISO A menos que lo exijan los códigos locales o estatales, o que se requiera para alcanzar la clasificación de viento, no se requiere una placa de hormigón/almoHADILLA

Acoplamiento de tableros en zonas clasificadas por el viento

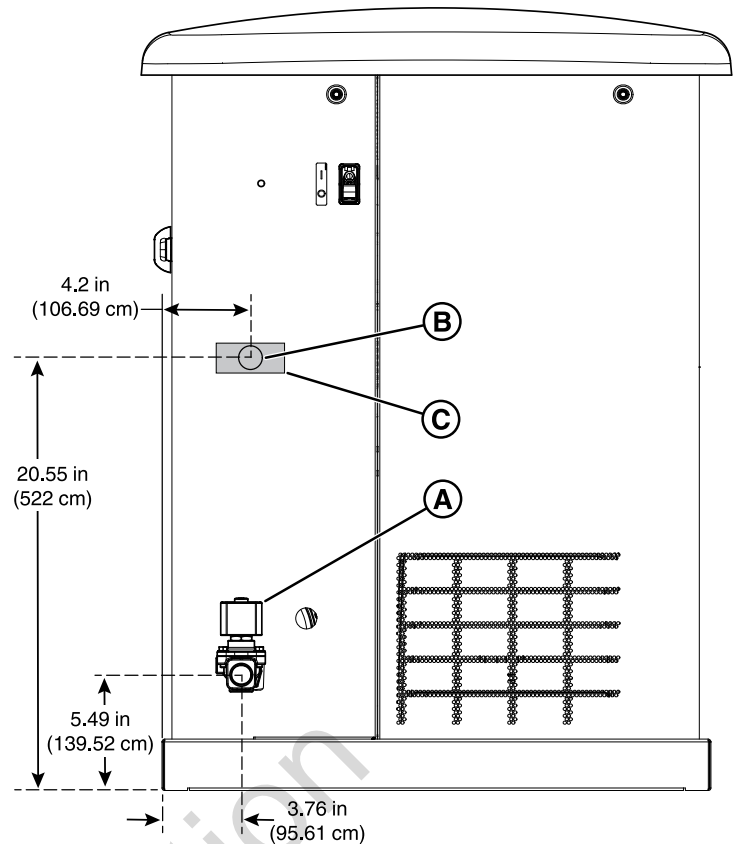
Para lograr una clasificación de viento de 140 mph y más, se incluyen (2) 1/4-20 tornillos (B) que se deben instalar en la parte inferior del panel frontal.



Ubicaciones de las entradas de electricidad y combustible

El conector de entrada de combustible N.P.T. de 3/4 de pulgada (A) y las ubicaciones de la entrada eléctrica (B) se muestran a continuación.

Se proporciona un knock-out de 1/2 pulgada para la entrada eléctrica. Esta entrada puede ampliarse o complementarse para acomodar un tamaño máximo de conducto de 1-1/2 pulgadas. Asegúrese de que el(los) conducto(s) instalados entre(n) en la unidad en la zona (C) como se muestra en el dibujo que sigue para que entre(n) correctamente en la caja eléctrica y no interfiera(n) con el techo o cualquier otro componente del generador.



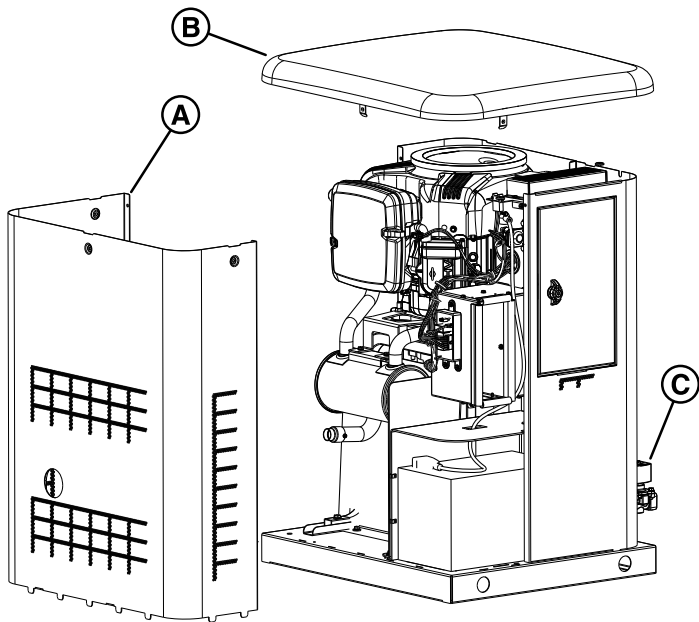
Tableros de acceso

El generador está equipado con un recinto que tiene dos paneles de acceso, como se muestra en la imagen que sigue.

El panel frontal (A) y el techo (B) se utilizan para tener acceso a:

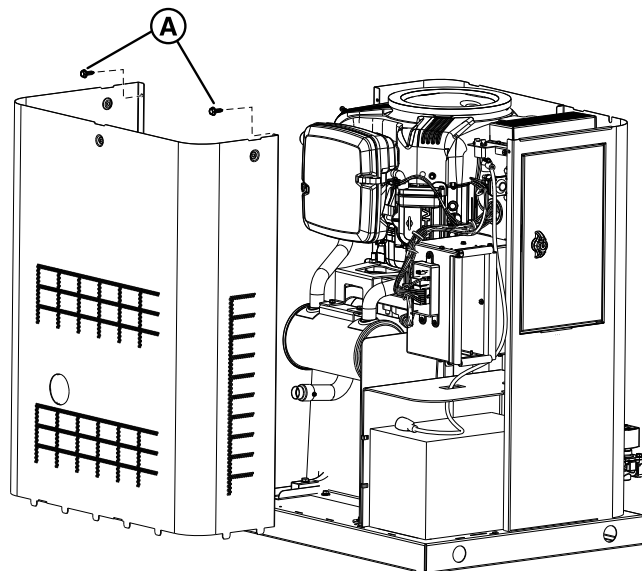
- Compartimiento de la batería
- Manguera de drenaje del aceite del motor
- Filtro de aceite de motor
- Tapa de las válvulas del motor
- Bujía(s)

Cada generador se envía con un juego de llaves idénticas sujetas al solenoide de combustible (C).



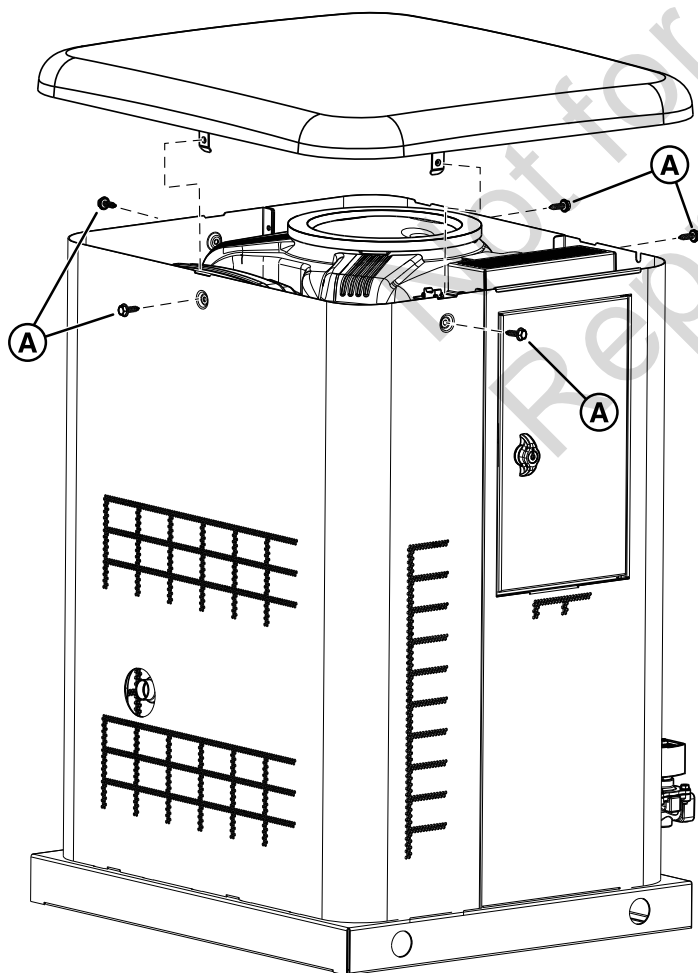
Retiro del panel frontal

1. Retire los dos tornillos (A) que fijan el panel a la unidad.

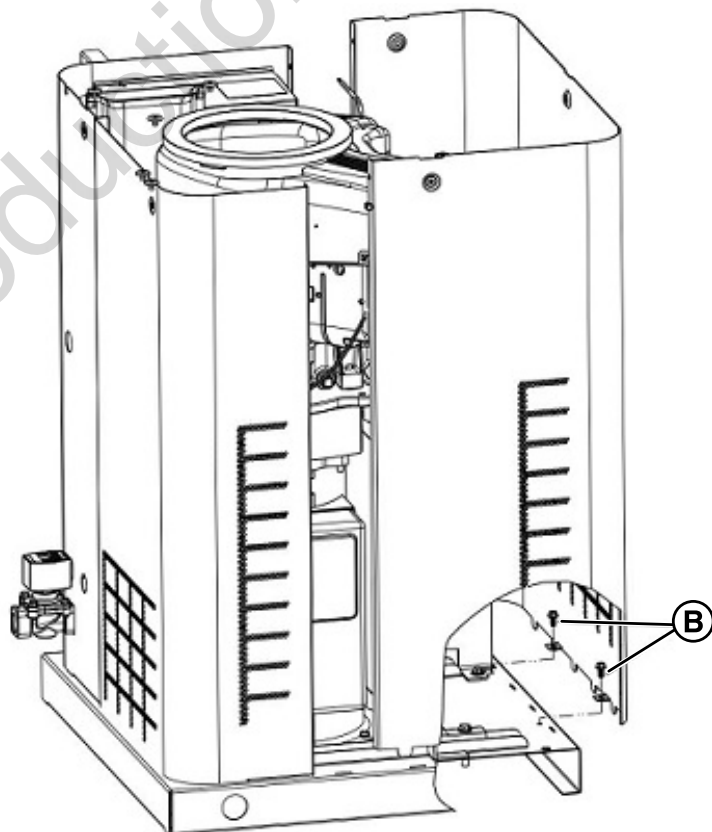


Retiro del techo

1. Retire los tornillos (A) que fijan el techo a la unidad.
2. Levante con cuidado y retire el techo de la unidad.



2. Si se instaló (para regiones con viento), retire los dos tornillos (B) que aseguran el panel a la base.

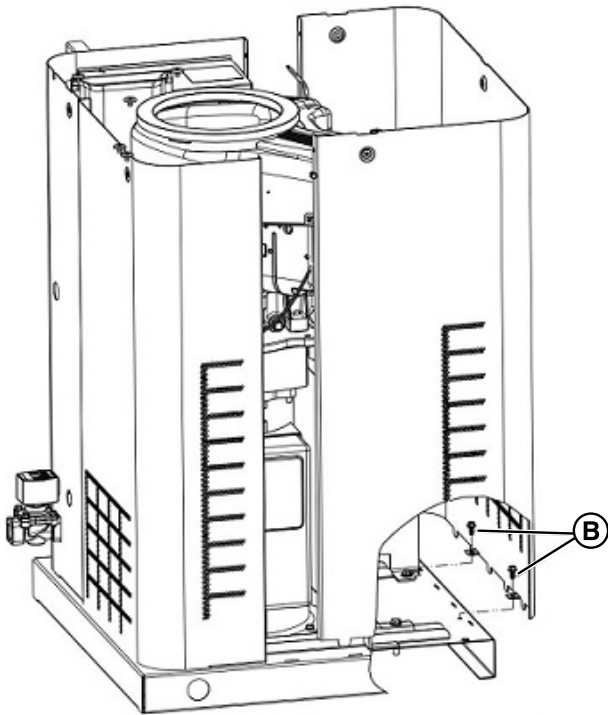


3. Levante y flexione el panel hacia fuera y fuera de la base. Tenga cuidado de no dañar la caja de la batería.

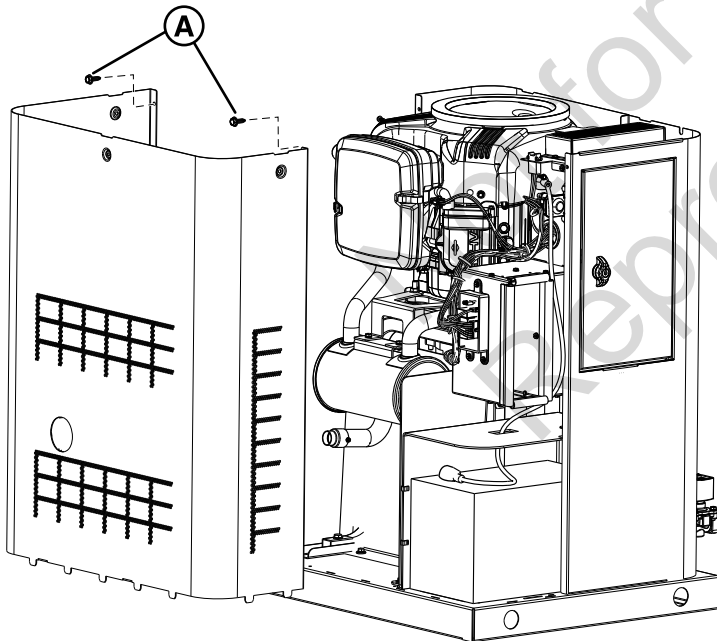
Instalación del panel frontal

1. Levante y flexione el panel hacia afuera y hacia la base. Tenga cuidado de no dañar la caja de la batería.

- Con las unidades clasificadas para el viento, instale los dos tornillos en (B).

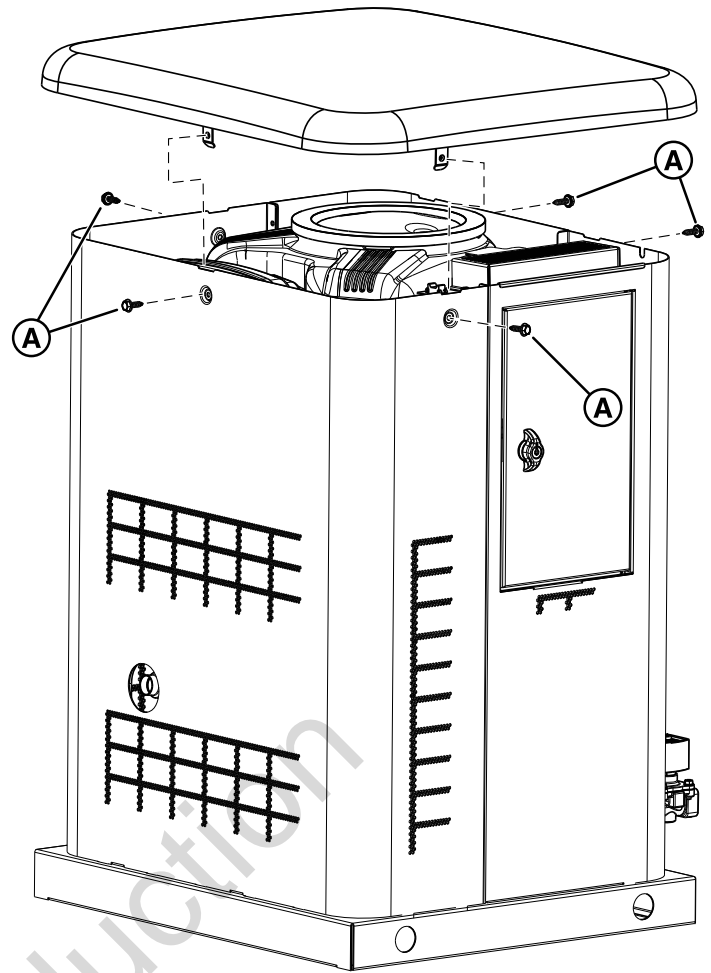


- Asegure el panel con los dos tornillos en (A).




Instale la cubierta

- Ponga con cuidado el techo de la unidad.
- Instale los tornillos (A) que aseguran el techo a la unidad.



Esquema de instalación de combustible

 **ADVERTENCIA**

 El gas propano y el gas natural son extremadamente inflamables y explosivos y pueden causar quemaduras, incendios o explosiones que podrían ocasionar lesiones graves o la muerte.

- La instalación debe realizarla un profesional calificado.
- Instale el sistema de suministro de combustible de acuerdo con NFPA 37 y otros códigos de gas combustible aplicables.
- Antes de poner en funcionamiento el generador, las líneas del sistema de combustible se deben purgar correctamente y se debe verificar que no haya ninguna pérdida.
- NO puede haber ninguna pérdida.
- NO opere la máquina si siente olor a combustible.


AVISO La línea flexible de combustible suministrada no debe instalarse bajo tierra o en contacto con el suelo.

- *Toda la línea flexible de combustible debe estar visible para su inspección periódica y no debe estar oculta*

dentro de ninguna pared, suelo o tabique, ni entrar en contacto con ellos.


La siguiente información se proporciona para ayudar a los técnicos de sistemas de combustible gaseoso a planificar las instalaciones. Esta información no debe interpretarse de ninguna manera en conflicto con los códigos de gas combustible aplicables. Consulte con su proveedor local de combustible o con el jefe de bomberos si surgen preguntas o problemas.

 **ADVERTENCIA**

 El gas propano y el gas natural son extremadamente inflamables y explosivos y pueden causar quemaduras, incendios o explosiones que podrían ocasionar lesiones graves o la muerte.

- El generador está equipado con una válvula de “cierre de combustible” de seguridad automática.
- NO utilice el equipo si falta la válvula de “cierre de combustible” o si no funciona.

 **ADVERTENCIA**

 El gas propano y el gas natural son extremadamente inflamables y explosivos y pueden causar quemaduras, incendios o explosiones que podrían ocasionar lesiones graves o la muerte.

- El gas PL es más pesado que el aire y se asentará en áreas bajas.
- El gas natural es más liviano que el aire y se acumulará en áreas altas.
- La chispa más pequeña podría encender estos combustibles y causar una explosión.
- NO encienda cigarrillos ni fume.

AL INSTALADOR: consulte con el propietario(s) del generador y comuníquelo cualquier consideración técnica que pueda afectar a sus planes de instalación antes de aplicar estas directrices generales.

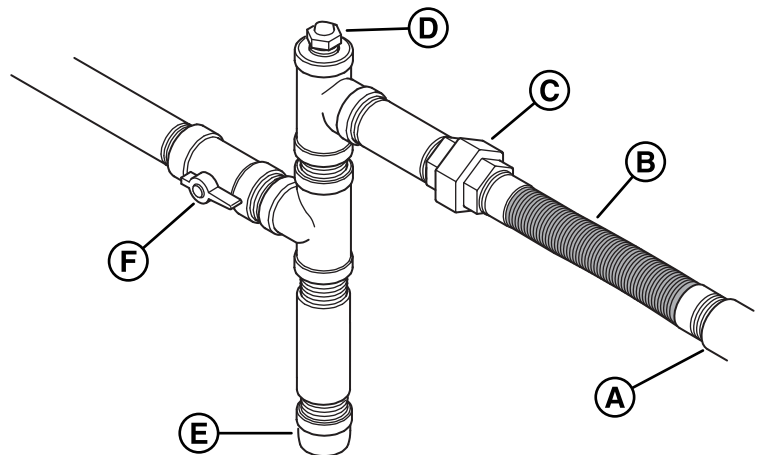
Las siguientes reglas generales se aplican a las tuberías del sistema de combustible gaseoso:

- El material de la tubería debe cumplir con los códigos federales y locales, estar rígidamente montado y estar protegido contra la vibración.
- Las tuberías deben protegerse de los daños físicos, especialmente cuando pasan por materas, macizos de arbustos y otras zonas cultivadas donde pueden producirse daños.
- Instale la línea de combustible flexible suministrada (B) entre el puerto de entrada de combustible del generador (A) y la tubería rígida para evitar que la expansión y la contracción térmicas causen una tensión excesiva en el material de la tubería.

- Se debe proporcionar una unión (C) o una conexión con bridas aguas abajo para permitir la remoción.
- Se debe instalar un puerto de prueba de manómetro (D) para los combustibles de vapor. Utilice el puerto para instalar un manómetro y comprobar si el motor recibe la presión de combustible correcta para su funcionamiento. Está disponible un manómetro digital (P/N 19495) o un manómetro analógico en su centro de servicio sólo para combustibles de vapor. Cuando se completan las pruebas iniciales, se retira el manómetro y se enchufa el puerto.
- Sólo para combustibles de vapor: Cuando se sepa que se produce la formación de hidratos o hielo, las tuberías deben protegerse contra la congelación. La terminación de la tubería dura debe incluir una trampa de sedimentos (E) donde no sea probable que el condensado se congele.
- Se instalará como mínimo una válvula de cierre manual (F) accesible y aprobada en la línea de suministro de combustible a menos de 6 pies (180 cm) del generador.
- Debe instalar una válvula de corte de combustible manual en el interior del edificio.
- Cuando las condiciones locales incluyan un terremoto, un tornado, un suelo inestable o peligros de inundación, se prestará especial atención al aumento de la resistencia y la flexibilidad de los soportes y conexiones de las tuberías.
- Las tuberías deben tener el tamaño correcto para mantener las presiones de suministro y el flujo de volumen necesarios en condiciones de carga de generador variables con todos los aparatos de gas conectados al sistema de combustible encendidos y en funcionamiento.
- Utilice un sellador de tuberías o un compuesto para juntas aprobado para su uso con GN/LP en todos los accesorios roscados para reducir la posibilidad de fugas.

AVISO Mantenga el sellador de roscas fuera de la tubería de gas para evitar que se dañen los componentes.

- Las tuberías instaladas deben ser debidamente purgadas y sometidas a pruebas de fugas, de acuerdo con los códigos y normas aplicables.



(A) Entrada de combustible del generador

- (B) Línea de combustible flexible
- (C) Ajuste de la unión
- (D) Puerto de prueba del manómetro
- (E) Trampa de sedimentos
- (F) Válvula de cierre manual

Tipo de combustible

Una consideración importante que afecta a toda la instalación es el tipo de combustible utilizado por su generador. El sistema fue probado y ajustado en fábrica usando gas natural, pero puede ser convertido para usar vapor de LP. Para el correcto funcionamiento del motor, los factores inherentes a cada uno de estos combustibles, como su ubicación y la duración de las posibles interrupciones la red pública, son consideraciones importantes en las siguientes directrices sobre combustibles:

- Usar combustible limpio y seco, libre de humedad o cualquier material particulado. El uso de combustibles fuera de los valores de recomendación que siguen puede causar problemas de rendimiento.
- En los motores que funcionan con propano (LP), se requiere propano de grado comercial HD5 con una energía de combustible mínima de 2500 BTU/pie³ con un contenido máximo de propileno del 5 % y butano y un contenido de gas más pesado del 2,5 % y un contenido mínimo de propano del 90 %.

La clasificación del gas natural dependerá de un combustible específico, pero las típicas derivaciones están entre el 10 y el 20 % de la clasificación del gas LP.

Los motores de gas natural o LP se certifican para funcionar con gas natural o propano líquido. El sistema de control de emisiones para este motor es EM (modificaciones del motor).

Presión del combustible

Tanto el vapor de LP como el gas natural suministran presión en el puerto de entrada de combustible del generador y debe estar entre los siguientes niveles a plena carga con todos los aparatos de gas encendidos y en funcionamiento.

- GN es 3,5-7 pulg W.C.
- LP es 11-14 pulg W.C.

Asegúrese de que todas las válvulas de cierre de las líneas de gas estén ABIERTAS y de que se disponga de la presión de combustible adecuada siempre que se desee un funcionamiento automático.

Para niveles de presión de combustible de gas natural de 3,5 - 5 pulg W.C., reemplace el ensamblaje del regulador con el kit de servicio 6331-00 (disponible en su distribuidor local de servicio).

Pérdida de potencia

La densidad del aire es menor a grandes altitudes, lo que resulta en una menor potencia de motor disponible. La potencia del motor disminuirá un 3,5% por cada 1000 pies (300 m) sobre el nivel del mar y un 1% por cada 10 °F (5,6 °C) por encima de los 77 °F (25 °C). Los generadores que se ubicaron en estas condiciones deben tener su

interruptor de transferencia que se ajuste apropiadamente para esta disminución de potencia. Ver en el manual del Interruptor de transferencia automática cómo ajustar la disminución de la potencia.

Sistema de combustible gaseoso

Tamaño de la tubería de combustible

Los NFPA 54 y 58 son recursos comunes. El instalador debe considerar la gravedad específica del gas, compensar una cantidad nominal de restricción de los codos y accesorios y consultar los códigos federales y locales para obtener orientación.

Conversión de combustible

El motor de su sistema generador se calibra de fábrica y se ajusta para funcionar con gas natural (GN). También puede funcionar con vapor de petróleo licuado (LP).

AVISO Los ajustes iniciales de fábrica del GN son:

- Tornillo **C**: 2,5 vueltas
- Tornillo **D**: 0,5 vueltas

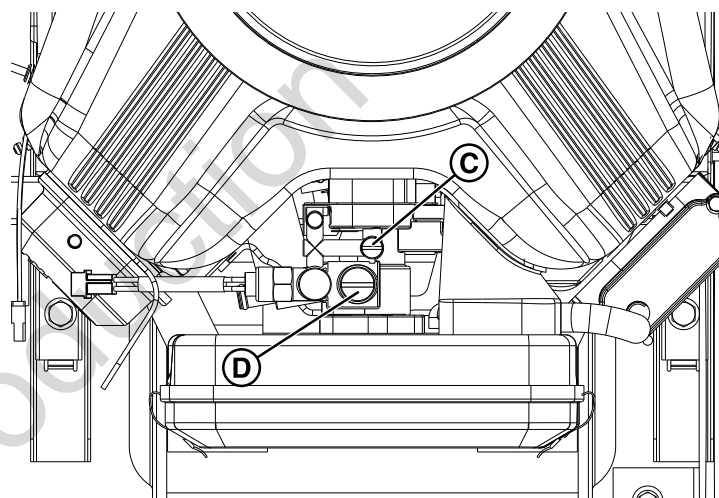
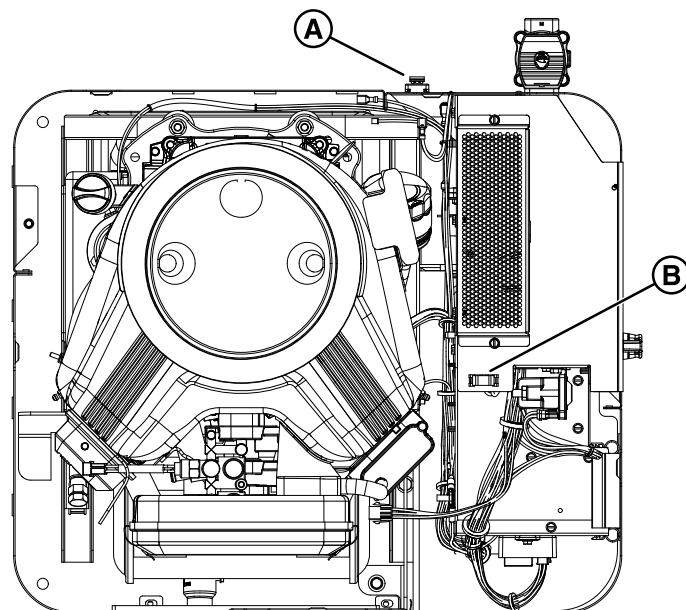
Para configurar unidades de 12 kW para el uso de combustible LP:

1. Presione el interruptor (A) de ENCENDIDO/APAGADO en el lado del generador a la posición "APAGADO" (0).
2. Retire la energía de la red pública al generador para desactivar el cargador de la batería.
3. Quite la cubierta.
4. Retire el fusible (B) de 15 amperios del portafusibles en la parte superior de la caja de control.
5. Retire el panel frontal.
6. Desconecte el cable negativo (-) de la batería.
7. Con un destornillador de ranura, gire los tornillos (C y D) en el sentido de las agujas del reloj hasta que se ajusten bien (apretarlos demasiado puede dañar el puerto del mezclador).
8. Con un destornillador de ranura, gire el tornillo (C) ¼ de vuelta en sentido contrario a las agujas del reloj.
9. Deje el tornillo (D) ajustado.
10. Conecte el cable negativo (-) a la batería.
11. Instale el panel frontal.
12. Instale el fusible (B) de 15 amperios en el portafusibles de la parte superior de la caja de control.
13. Instale la cubierta.
14. Ponga el interruptor (A) de ENCENDIDO/APAGADO del lado del generador en la posición "ENCENDIDO" (I).
15. Abra la puerta de acceso al tablero de control y verifique que el tablero esté en **modo manual**.
16. Para acceder al menú de configuración pulse y sostenga el botón CONFIGURAR.

17. Pulse SELECCIONAR para editar los elementos del menú de configuración.
18. Para configurar el tablero de control de los generadores para el combustible LP, se utiliza el Menú de configuración y se utiliza la contraseña del distribuidor, que está disponible en el portal de energía.
19. Navegue hasta “SELECCIONAR PERFIL” y pulse seleccionar en el perfil correcto para el generador. Por ejemplo “12KW_LP” para operar una unidad de 12 kW que funciona con combustible LP.


AVISO La selección de un perfil que no esté destinado al generador puede hacer que éste funcione de forma errática y podría resultar dañado.

20. Para guardar el nuevo ajuste de combustible, pulse el botón PARAR/CONFIGURAR hasta que aparezca “Guardando ajustes...”.
21. Para información adicional sobre el funcionamiento del controlador del generador, consulte el “Manual de Instrucciones del controlador del GENSET GC1031”, PN: **80086364**.




Conexiones del campo eléctrico

 **ADVERTENCIA**

 El voltaje del generador y de la red pública podría provocar una descarga eléctrica o quemaduras, lo que podría ocasionar la muerte o lesiones graves.

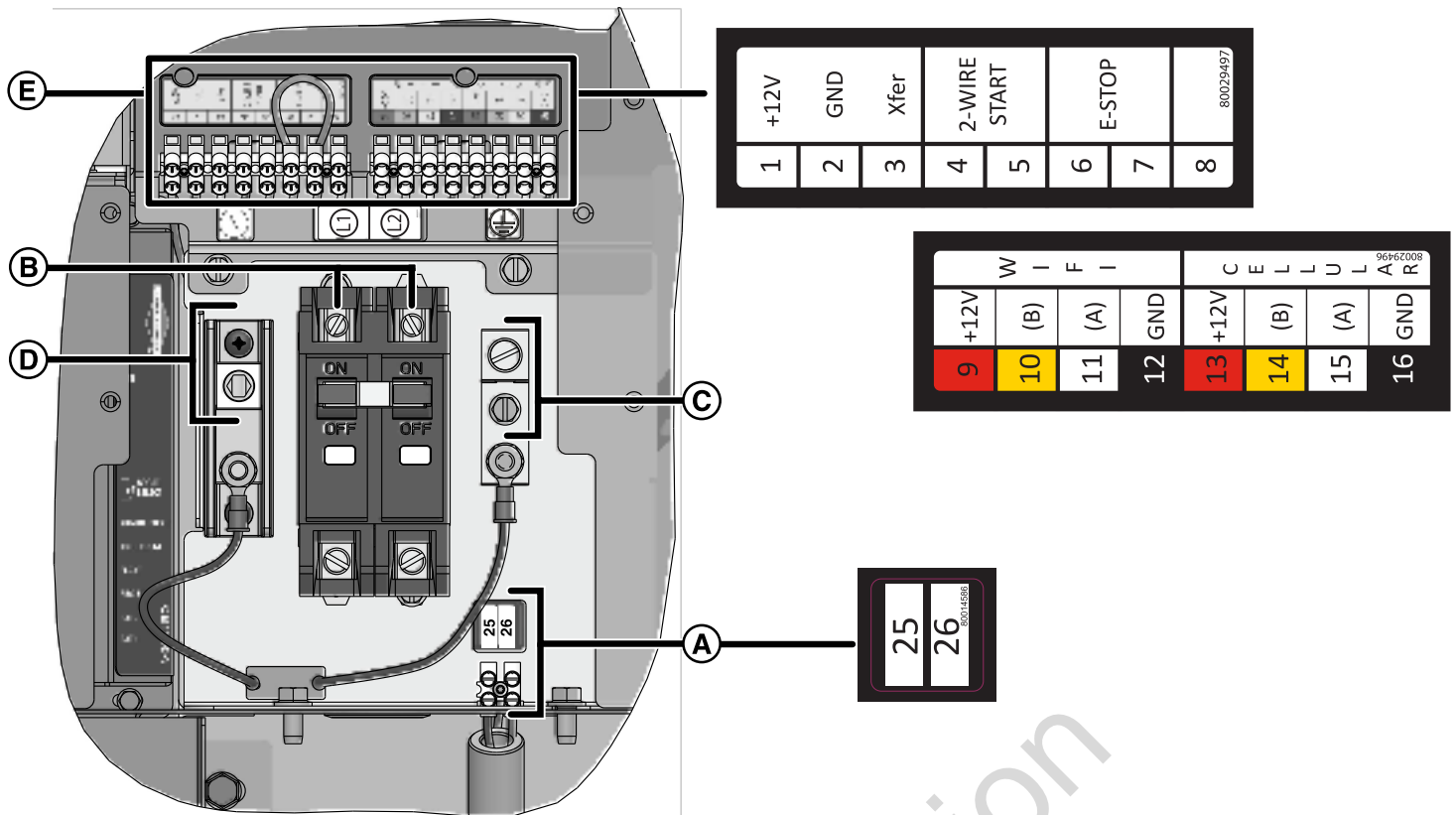
- La instalación debe realizarla un profesional calificado.
- Desconecte todas las fuentes de electricidad antes de instalar o hacer mantenimiento al equipo.
- Conecte el sistema a tierra antes de aplicar energía.

 **ADVERTENCIA**

 Voltaje peligroso: La instalación de cables de voltaje bajo y alto en el mismo conducto podría provocar una descarga eléctrica o quemaduras, lo que podría ocasionar la muerte o lesiones graves.

- No opere un cable de voltaje bajo y alto en el mismo conducto a menos que la clasificación del aislamiento en TODOS los cables sea de 600 V. Consulte NFPA 70 para más información.

Las conexiones de bajo voltaje se realizan a través de un bloque de terminales de conexión de campo (E) en el área eléctrica principal. Compare esta ilustración con su generador para familiarizarse con la ubicación de estas conexiones.



- A • Bloque de terminales de dos clavijas: se utiliza para conectar la red pública de 240 VAC del bloque de fusibles del ATS a la tarjeta de control. Conecte sólo un cable por terminal. Use cable #14 [2,5 mm²] AWG de 300 voltios como mínimo.
- B • Conexión de energía (Línea 1 y Línea 2): conexión de energía al interruptor de transferencia.
- C • Conexión a tierra: conecte al cable de tierra del interruptor de transferencia.
- D • Conexión neutra: conecte al cable neutro del interruptor de transferencia.
- E • Consulte la tabla a continuación:

Número de pin	Descripción	Tipo de cable	Conectar a	Notas
1	12 VDC	18 AWG [1 mm ²] conductores, 300 V mínimo, 90 °C de cable de Cu.	Interruptor de transferencia del controlador básico J7-8 12 VDC	Señal de transferencia del interruptor de transferencia (sólo funciona con el controlador de interruptor de transferencia básico).
2	GND	18 AWG [1 mm ²] conductores, 300 V mínimo, 90 °C de cable de Cu.	Interruptor de transferencia del controlador básico J7-7 GND	
3	Señal de transferencia	18 AWG [1 mm ²] conductores, 300 V mínimo, 90 °C de cable de Cu.	Interruptor de transferencia del controlador básico J7-4 T/R	
4	2 Cable-de-arranque	18 AWG [1 mm ²] conductores, 300 V mínimo, 90 °C de cable de Cu.	Consulte el manual del interruptor de transferencia para verificar si esta función está disponible.	Contacto cerrado para el inicio del Genset. (Sólo para el interruptor de transferencia que proporciona esta opción) El control de la red debe ser desactivado en el controlador.
5	2 Cable-de-arranque	18 AWG [1 mm ²] conductores, 300 V mínimo, 90 °C de cable de Cu.		
6	Parada de emergencia	18 AWG [1 mm ²] conductores, 300 V mínimo, 90 °C de cable de Cu.	Interruptor de parada de emergencia	Contacto abierto para apagar el Genset
7	Parada de emergencia	18 AWG [1 mm ²] conductores, 300 V mínimo, 90 °C de cable de Cu.	Interruptor de parada de emergencia	
8	No se usa			

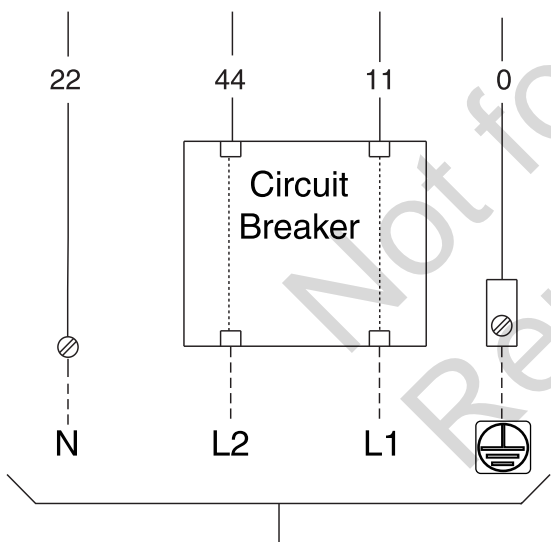
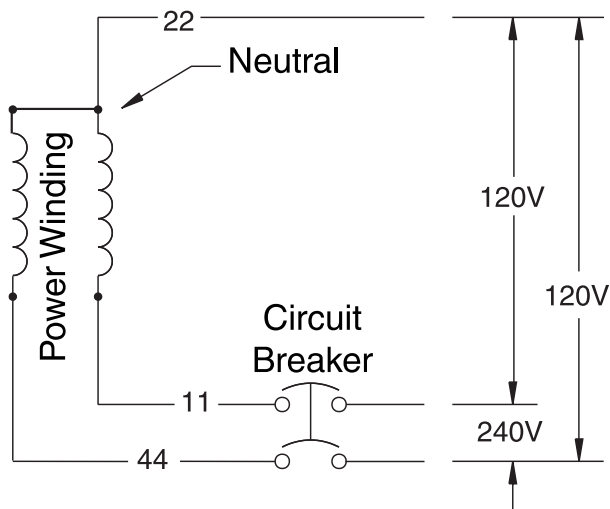
9	12 VDC	18 AWG [1 mm ²] conductores, 300 V mínimo, 90 °C de cable de Cu.	Consulte el manual de la puerta de enlace de amplificación.	Módulo de comunicación a WIFI
10	(B)	18 AWG [1 mm ²] conductores, 300 V mínimo, 90 °C de cable de Cu.		
11	(A)	18 AWG [1 mm ²] conductores, 300 V mínimo, 90 °C de cable de Cu.		
12	GND	18 AWG [1 mm ²] conductores, 300 V mínimo, 90 °C de cable de Cu.		
13	12 VDC	18 AWG [1 mm ²] conductores, 300 V mínimo, 90 °C de cable de Cu.	Consulte el manual premium de InfoHub™.	Comunicación al módulo celular
14	(B)	18 AWG [1 mm ²] conductores, 300 V mínimo, 90 °C de cable de Cu.		
15	(A)	18 AWG [1 mm ²] conductores, 300 V mínimo, 90 °C de cable de Cu.		
16	GND	18 AWG [1 mm ²] conductores, 300 V mínimo, 90 °C de cable de Cu.		
25	Red pública	14 AWG [2,5 mm ²] 300 V mínimo, 90 °C cable de Cu	Interruptor de transferencia de la red pública	Detección de tensión para el arranque del Genset. Use estas señales o la señal de inicio de dos cables para la señal de inicio del Genset.
26	Red pública	14 AWG [2,5 mm ²] 300 V mínimo, 90 °C cable de Cu	Interruptor de transferencia de la red pública	

- Para la conexión de la salida de energía (L1, L2, Neutro (N), y Tierra), refiérase a la National Electric y a los códigos locales.
- Para los cables de comunicación use conductores de par trenzado #18 AWG [1 mm²], de no más de 500 pies de longitud, cable de 300 voltios.
- Al conectarlo al bloque de terminales, sólo hay que sujetar un cable a cada tornillo del conector.
- El bloque de terminales se atornilla a 4,4 in-lb [0,49 Newton metro].
- Conexiones del disyuntor del circuito se aprietan a 45 in-lb [5 Newton metros].
- Conexión del interruptor de transferencia. En el grupo de terminales (E) los pines 1, 2 y 3 se conectan a un interruptor de transferencia básico Briggs & Stratton® (consulte el manual de instalación del interruptor de transferencia).

Conexión del sistema de CA del generador

En el generador se utiliza un sistema de conexión de CA monofásico de tres cables. Consulte el esquema y el diagrama de cableado que sigue.

AVISO El neutro no está unido a la tierra en el generador.



Puesta a tierra del generador

A menos que lo exija el código local, no es necesaria la puesta a tierra adicional del chasis en el generador. Cualquier puesta a tierra en el generador debe utilizar arandelas de bloqueo con perforación metálica (o equivalente), terminales listadas e instaladas según las instrucciones del proveedor de la terminal, y cumplir con los códigos eléctricos nacionales y los requisitos locales.

Conexiones de energía del generador al interruptor de transferencia

ADVERTENCIA



Si el generador no se aísla de la red de energía, se podría provocar la muerte o lesiones graves a los trabajadores del servicio eléctrico debido a la inversión de energía eléctrica.

- Use un conmutador de transferencia indicado para conectar a un sistema eléctrico en construcción.

Conexión del circuito de la red pública

Los cables de la red pública de 240V deben enrutarse por un conducto. Los cables de la red pública de 240V suministran energía a la placa de circuito del generador, al calentador de batería opcional y al calentador de aceite opcional. Esta energía también carga la batería. En el modo AUTOMÁTICO, cuando se pierda la energía de estos cables, el generador se pondrá en marcha. Utilice el cable de mínimo 300V, 14 [2,5 mm²] AWG que suministra el instalador, conecte cada terminal del circuito de control del generador (25 y 26) al bloque de fusibles del interruptor de transferencia automática.

Conexión de la energía del generador

Utilice los cables de 300V como mínimo suministrados por el instalador y la tabla situada en la sección *Conexiones del campo eléctrico*, conecte la salida de potencia del generador L1, L2, neutro (N) y tierra al correspondiente L1, L2, neutro (N) y tierra en el interruptor de transferencia.

AVISO Consulte el Código Eléctrico Nacional para las conexiones correctas del campo eléctrico y los cálculos del tamaño de los cables.

Consideraciones finales de la instalación

Aceite del motor

AVISO Cualquier intento de arrancar el motor antes de que se llene correctamente con el aceite que se recomienda provocará fallas en el equipo y en los códigos de servicio.

- Consulte la sección de *Mantenimiento* en la sección de *Funcionamiento* de este manual para obtener información sobre el llenado de aceite.
- Los daños en el equipo que resulten del incumplimiento de esta instrucción anularán la garantía del motor y del generador.

Este motor es enviado desde la fábrica con una precarga y se lleno con aceite sintético (API SJ/CF 5W-30). Esto permite el funcionamiento del sistema en una amplia gama de condiciones de temperatura y clima. Antes de arrancar el motor, compruebe el nivel de aceite como se describe en la sección *Mantenimiento* de este manual.

El uso de aceite sintético no altera los intervalos de cambio de aceite requeridos que se describen en la sección *Funcionamiento* de este manual.

Para operar a temperaturas inferiores a 30 °F (-1 °C), se requiere el uso de aceite totalmente sintético (mínimo API SJ) de viscosidad 5W30.

Batería



Las baterías almacenadas emiten hidrógeno explosivo durante las recargas. La chispa más pequeña podría encender el hidrógeno y causar una explosión, lo que puede provocar la muerte o lesiones graves.

- NO elimine una batería en el fuego. Recicle la batería.
- NO permita que se produzca ninguna llama abierta, chispa o calor, ni encienda un cigarrillo mientras carga la batería o durante varios minutos después de la carga.



El voltaje del generador y de la red pública podría provocar una descarga eléctrica o quemaduras, lo que podría ocasionar la muerte o lesiones graves.

- La instalación debe realizarla un profesional calificado.
- Desconecte todas las fuentes de electricidad antes de instalar o hacer mantenimiento al equipo.
- Conecte el sistema a tierra antes de aplicar energía.



El fluido de electrolito de las baterías contiene ácido y es extremadamente cáustico. El contacto con el contenido de la batería podría producir quemaduras químicas graves.

- NO abra ni destrozé la batería.
- Use gafas de protección, así como delantal, botas y guantes de goma.
- Lave inmediatamente el electrolito de la piel con agua.
- Si el electrolito entra en contacto con los ojos, enjuague inmediatamente con agua y busque atención médica.
- El electrolito derramado debe limpiarse con un agente neutralizador de ácido.

El instalador debe suministrar e instalar una batería de arranque recargable de 12 voltios. La batería de arranque DEBE ajustarse a las especificaciones mostradas en esta tabla.

Especificaciones de la batería		
Especificaciones	Estándar	Arranque en frío (menos de 30 °F / -1 °C)
Voltios	12 V CC	12 V CC
Amperios (mínimos)	540 CCA (Amperios de arranque en frío)	800 CCA (Amperios de arranque en frío)

Construcción	Ácido de plomo húmedo	Ácido de plomo húmedo
Tipo de terminal	Batería del tipo Top Post	Batería del tipo Top Post
Dimensiones (máximo)	Tamaño del ICB 26 o tamaño del ICB 51	Tamaño del ICB 24



Con la batería conectada, el generador puede girar y arrancar sin aviso, lo que podría provocar la muerte o lesiones graves.

- No conecte el cable negativo (-) en la batería hasta finalizar la instalación.

Instale la batería como se describe en *Mantenimiento de la batería* en la sección de *Mantenimiento* de este manual. Asegúrese siempre de que el cable NEGATIVO esté conectado en último lugar y que el aislante rojo del terminal POSITIVO esté seguro.

Utilice la correa de sujeción suministrada para fijar la batería a la unidad. Cada extremo de la correa debe fijarse a las lengüetas existentes en la base de la unidad.

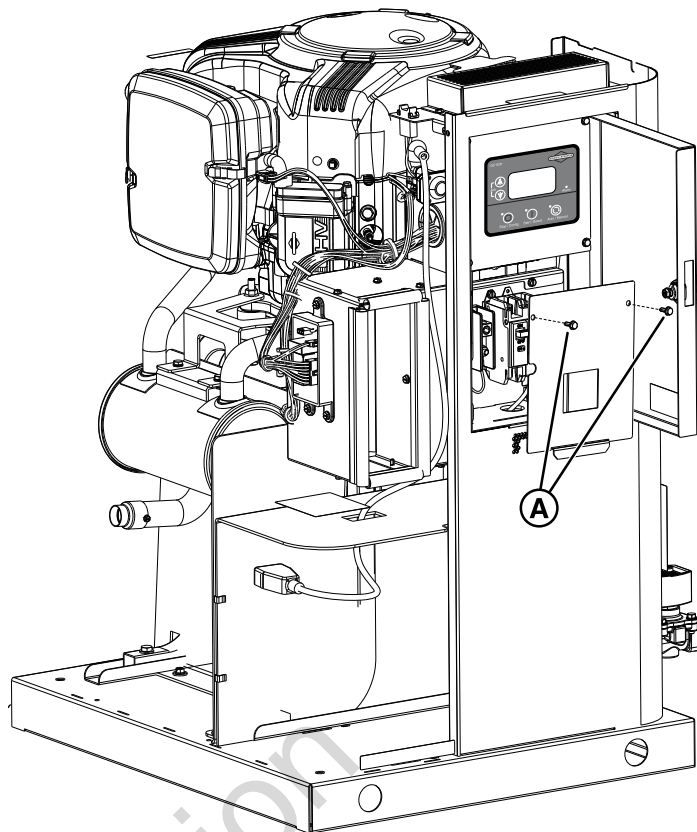
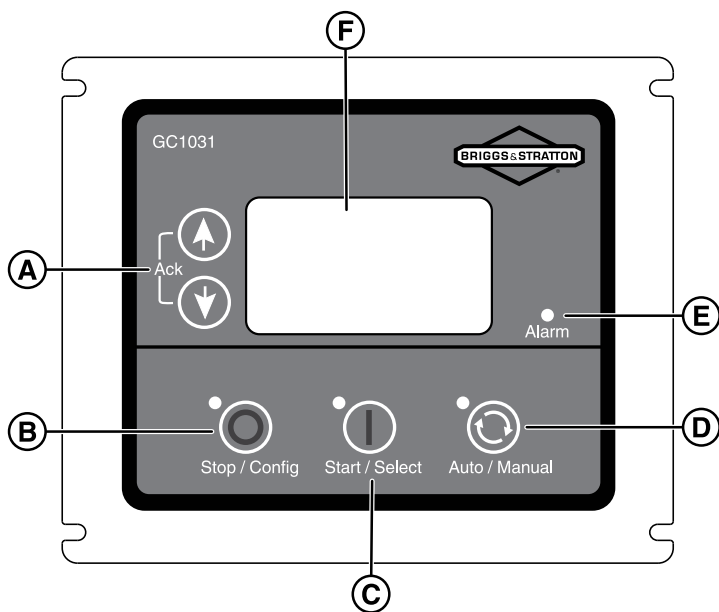
Tarjeta de control del sistema

AVISO Por favor, vea el manual en línea separado: “*Instrucciones del controlador del GENSET GC1031*” (número de parte 80086364) para detalles sobre la configuración y operación.

El tablero de control del generador, situado en el interior de la carcasa del generador, se muestra a continuación. Las breves descripciones de los controles utilizados durante la instalación son:


- (A) Menú/Programación Botones de navegación
- (B) Botón Parar/Configurar
- (C) Botón de Inicio/Selección
- (D) Botón Auto/Manual
- (E) Alarma
- (F) Visualizador digital: muestra el modo generador, las opciones de menú y las alarmas.

Las descripciones detalladas de los controles se encuentran en la sección *Descripción de las teclas de control* dentro del manual en línea “*Manual de Instrucciones del controlador del GENSET GC1031*” (número de pieza 80086364).



Arranque inicial (sin carga)

ADVERTENCIA

 El calor/los gases de escape podrían encender combustibles, lo que podría ocasionar lesiones graves o la muerte.

- Retire los materiales combustibles del compartimiento del generador y alrededores.

La unidad ha sido configurada para funcionar con GN en la fábrica. La conversión de combustible, si es necesario, debe realizarse antes de hacer estos pasos (Ver *Conversión de combustible*). Antes de operar el generador o ponerlo en servicio, inspeccione cuidadosamente toda la instalación. Entonces, pruebe el sistema sin ninguna carga eléctrica conectada, de la siguiente manera:

1. Retire los dos tornillos (A) que aseguran la cubierta del disyuntor del circuito para exponer el disyuntor del circuito de la unidad.
2. Conecte un multímetro preciso al lado de la línea del disyuntor del circuito principal del generador.
3. Ponga el disyuntor del circuito principal del generador en posición ENCENDIDO (cerrado).
4. Instale un fusible de 15 Amperios.
5. Presione el interruptor ENCENDIDO/APAGADO, situado en el lado del generador, a la posición ENCENDIDO (I).
6. Presione el botón INICIO/SELECCIÓN en el tablero de control. El motor arrancará en modo de bajo ralenti (MBR). Presione de nuevo para llevar el motor a máxima velocidad.

AVISO Cuando el generador se encienda por primera vez, será necesario purgar el aire de las líneas de combustible gaseoso. Esto puede causar que el motor funcione bruscamente durante unos minutos.

7. Escuche los ruidos inusuales, las vibraciones u otras indicaciones de funcionamiento anormal. Busque fugas de aceite mientras el motor está en marcha.
8. Deje que el motor se caliente durante aproximadamente 5 minutos para permitir que la temperatura interna se estabilice.
9. Revise la salida del generador en el lado de la carga del interruptor. El voltaje debe ser de 225 - 250 voltios y la frecuencia debe ser de 59 - 61 Hz.
10. Revise las salidas del generador entre un terminal de conexión del generador y el terminal neutral, y luego

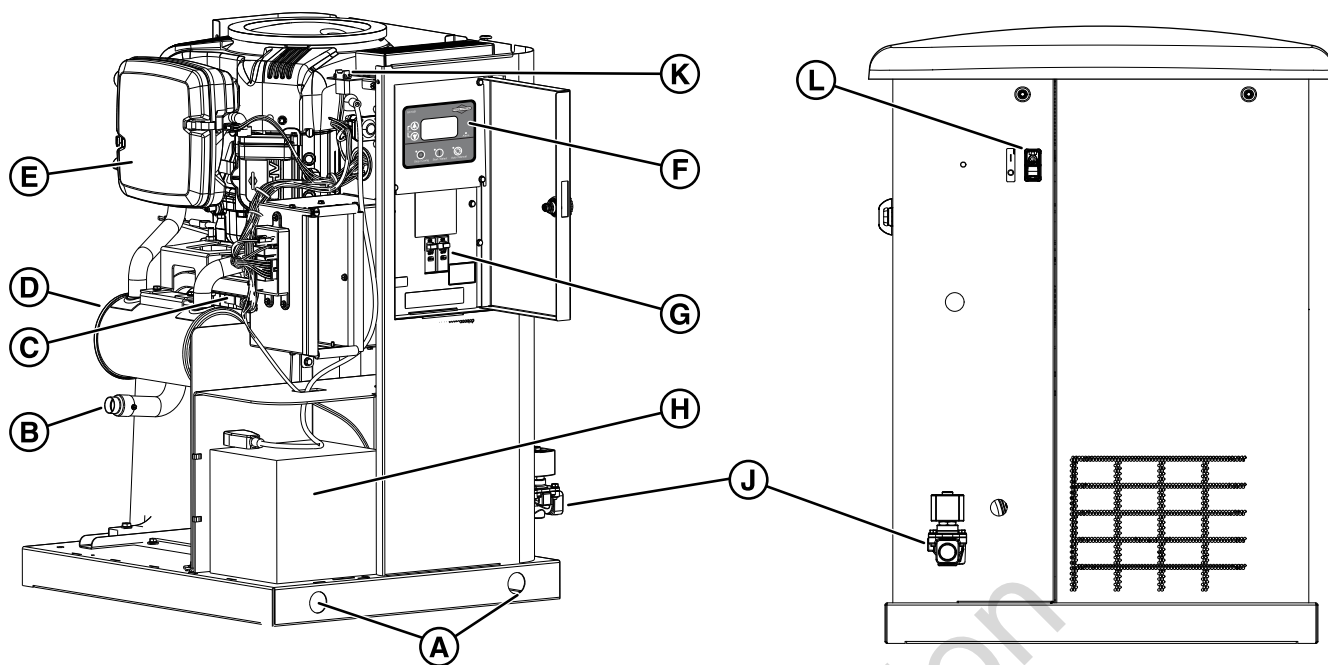
entre el otro terminal de conexión del generador y el terminal neutral. En ambos casos, la lectura del voltaje debe estar entre 112 y 125 voltios.

11. Presione el botón PARAR/CONFIGURAR en el tablero de control. El motor entrará en modo de enfriamiento durante aproximadamente 5 minutos. Presione de nuevo para detener el motor.
12. Instale la cubierta del disyuntor del circuito.
13. Cuando la prueba se complete y sea exitosa, instale el panel frontal y el techo.

Not for
Reproduction

Operación

Características y controles: Generadores de 12 kW



El generador se muestra con el techo y las cubiertas de acceso retiradas para mayor claridad

(A) Agujeros de elevación: se proporcionan en cada esquina para levantar el generador.

(B) Puerto de escape: el silenciador de alto rendimiento reduce el ruido del motor para cumplir con la mayoría de los códigos residenciales.

(C) Alternador: una máquina eléctrica que genera una corriente alterna.

(D) Silenciador: un dispositivo que reduce el ruido del motor.

(E) Filtro de aire: utiliza un elemento filtrante de tipo seco para proteger el motor filtrando el polvo y los residuos del aire de admisión.

(F) Tablero de control: se utiliza para varias funciones de prueba, operación y mantenimiento.

(G) Disyuntor del circuito: protege el sistema de cortocircuitos y otras condiciones de sobrecorriente.

(H) Compartimiento de la batería: para el instalador se suministra una batería de 12 voltios DC, que proporciona energía para arrancar el motor.

(J) Puerto de entrada de combustible: adjunte el suministro de combustible apropiado al generador aquí.

(K) Fusible: situado en la parte superior de la caja de control.

(L) Interruptor ENCENDIDO/APAGADO: se utiliza para encender el generador (I) y apagarlo (O).

Consideraciones importantes del propietario



ADVERTENCIA



Las emisiones del motor contienen monóxido de carbono, un gas nocivo que podría causar la muerte en minutos. No es posible olerlo, verlo o saborearlo. Incluso si no huele los gases del escape, puede estar expuesto al monóxido de carbono.

- SE DEBEN instalar y mantener detectores de monóxido de carbono en interiores de acuerdo con las instrucciones o recomendaciones del fabricante. Los detectores de humo no detecta el gas de monóxido de carbono.
- Si usted se siente enfermo, adormecido, débil o suena su alarma de monóxido de carbono al utilizar este producto, aléjese hacia un lugar con aire fresco de inmediato. Llame a los servicios de emergencia. Es probable que se haya intoxicado con monóxido de carbono.



ADVERTENCIA



El gas propano y el gas natural son extremadamente inflamables y explosivos y pueden causar quemaduras, incendios o explosiones que podrían ocasionar lesiones graves o la muerte.

- El generador está equipado con una válvula de “cierre de combustible” de seguridad automática.
- NO utilice el equipo si falta la válvula de “cierre de combustible” o si no funciona.

Aceite del motor

El motor se envía desde la fábrica con precarga y lleno con aceite sintético (API SJ/CF 5W-30). Esto permite el funcionamiento del sistema en una amplia gama de condiciones de temperatura y clima. Antes de arrancar el motor, compruebe el nivel de aceite como se describe en *Mantenimiento*.

AVISO Cualquier intento de arrancar o encender el motor sin estar correctamente lleno con el aceite recomendado tendrá como resultado una falla del equipo.

- Los daños en el equipo que resulten del incumplimiento de esta instrucción anularán la garantía del motor y del generador.

Batería

El instalador debe suministrar una batería de arranque recargable de 12 voltios DC. Ver Batería en *Consideraciones finales de instalación* en este manual.

Fusible de 15 amperios

Asegúrese de que el fusible se instale correctamente antes de operar el generador.

Secuencia de operación automática

La tarjeta de control del generador monitoriza el voltaje de la red pública. Si el voltaje de la red pública cae por debajo de un nivel preestablecido, el tablero de control indicará al motor que arranque. Cuando el voltaje de la red pública se restablece por encima de un nivel de voltaje preestablecido, se indica al motor que se apague. El funcionamiento real del sistema no es ajustable y se secuencia por sensores y temporizadores en la tarjeta de control, de la siguiente manera:

Sensor de caída de voltaje de la red pública

- Este sensor monitoriza el voltaje de la red pública.
- Si el voltaje de la fuente de la red pública cae por debajo de aproximadamente el 70 por ciento del voltaje de suministro nominal, el sensor inicia un temporizador. El temporizador se usa para “sentir” los apagones.
- Una vez que el temporizador finalice, el motor se pondrá en marcha.

Sensor de recolección de voltaje de la red pública

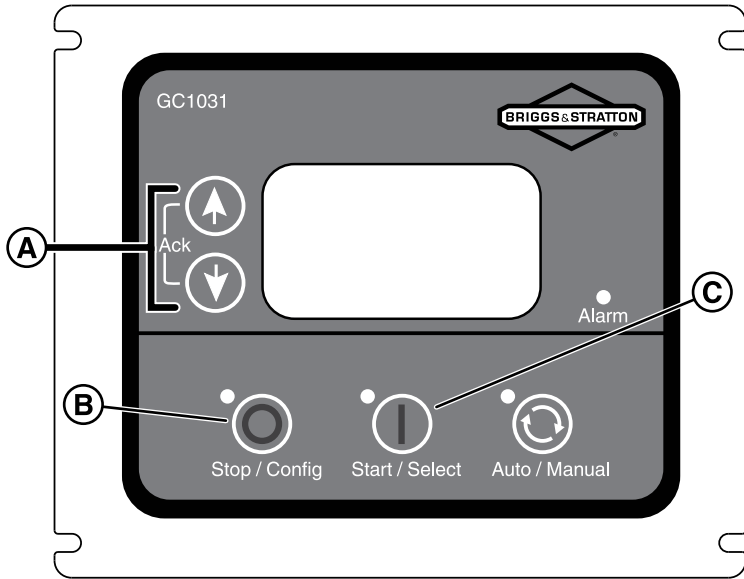
Este sensor monitoriza el voltaje de la red pública. Cuando el voltaje de la red pública se restablece por encima de aproximadamente el 80 por ciento del voltaje de la fuente nominal, se inicia un temporizador para apagar y el motor pasa a la fase de enfriamiento.

Temporizador de enfriamiento del motor

Cuando se detecta la energía de la red pública, la carga se transfiere a la fuente de la red pública y el motor entra en un período de enfriamiento de 5 minutos.

Configuración del temporizador de actividad

1. Presione y mantenga la presión del botón de Parar/Configurar (B).
2. Pulse el botón Inicio/Selección (C) para entrar en el MODO ESCRITURA.
3. Introduzca la contraseña (0000) con las teclas de flecha (A) y el botón Inicio/Selección (C).
4. En la pantalla de CONFIGURACIÓN utilice las teclas de flecha (A) para encontrar MÓDULO.
5. Presione el botón de Inicio/Selección (C) y con las teclas de flecha (A) encuentre ACTIVIDAD AUTOMÁTICA.
6. Presione el botón Inicio/Selección (C) y con las teclas de flecha (A) seleccione cada parámetro y elija los ajustes deseados.
7. Para guardar los ajustes cuando se termine, mantenga pulsado el botón Parar/Configurar (B) hasta que aparezca “Guardando ajustes” en la pantalla.



Una lista detallada de todos los parámetros en pantalla se encuentra en la sección *Configuración del GCU* dentro del manual en línea "*Manual de Instrucciones del controlador del GENSET GC1031*" (número de parte 80086364)

Not for
Reproduction

Mantenimiento

Mantenimiento del sistema



ADVERTENCIA



El voltaje del generador y de la red pública podría provocar una descarga eléctrica o quemaduras, lo que podría ocasionar la muerte o lesiones graves.

- NO permita que personas no calificadas utilicen o reparen este equipo.



ADVERTENCIA



Con la batería conectada, el generador puede girar y arrancar sin aviso, lo que podría provocar la muerte o lesiones graves.

- Antes de reparar el equipo, apague el generador y desconecte el cable negativo (-) de la batería.

Antes de realizar el mantenimiento de cualquier generador, siempre hay que seguir los siguientes pasos

1. Presione el interruptor de ENCENDIDO/APAGADO en el lado del generador a la posición "APAGADO" (0).
2. Retire la energía de la red pública al generador para desactivar el cargador de la batería.
3. Quite la cubierta.
4. Retire el fusible de 15 amperios del portafusibles en la parte superior de la caja de control.
5. Retire el panel frontal.
6. Desconecte el cable negativo (-) de la batería.
7. Realice los pasos de servicio según lo especificado.
8. Conecte el cable negativo (-) a la batería.
9. Instale el panel frontal.
10. Instale el fusible de 15 amperios en el portafusibles de la parte superior de la caja de control.
11. Instale la cubierta.
12. Restaure la energía de la red pública al generador.
13. Ponga el interruptor de ENCENDIDO/APAGADO del lado del generador en la posición "ENCENDIDO" (I).
14. Ajuste el modo del generador a AUTO.

Plan de mantenimiento

Siga los intervalos de funcionamiento por hora o por calendario, lo que ocurra primero.

Cada 8 horas de operación o diariamente
Limpie los residuos
Revise el nivel de aceite del motor
Cada 100 horas de operación o anualmente
Cambie el filtro de aire
Cambie el aceite del motor y el filtro

Reemplace las bujías
Verifique el espacio libre de la válvula
Compruebe los pares de apriete del disyuntor del circuito
Anualmente
Limpie las aberturas del refrigerador de aceite

El mantenimiento regular mejorará el rendimiento y prolongará la vida útil del generador. Consulte a cualquier distribuidor autorizado para el servicio.

Control de emisiones

El mantenimiento, la sustitución o la reparación de los dispositivos y sistemas de control de emisiones pueden ser realizados por cualquier establecimiento de reparación de motores que no sean de automoción o por un individuo. Sin embargo, para obtener un servicio de control de emisiones "sin cambios", el trabajo debe ser realizado por un distribuidor autorizado de la fábrica. Ver la Garantía de emisiones.

Mantenimiento del generador

La garantía del generador no cubre los artículos que han sido objeto de abuso o negligencia por parte del operador. Para recibir el valor total de la garantía, el operador debe mantener el generador como se indica en este manual.

Tendrán que hacerse algunos ajustes periódicamente para mantener correctamente el generador.

Todos los servicios y ajustes deben hacerse al menos una vez cada temporada. Obedezca los requisitos de la tabla del *Programa de mantenimiento*.

El mantenimiento del generador consiste en mantener la unidad limpia. Haga funcionar la unidad en un entorno en el que no esté expuesta a un exceso de polvo, suciedad, humedad o cualquier tipo de vapor corrosivo. Las persianas de aire de refrigeración del recinto no deben obstruirse con nieve, hojas u otros materiales extraños. Para evitar daños en el generador causados por el sobrecalentamiento, mantenga las entradas y salidas del recinto de refrigeración limpias y sin obstrucciones en todo momento.


Verifique la limpieza de la unidad con frecuencia y límpiela cuando el polvo, la suciedad, el aceite, la humedad u otras sustancias extrañas sean visibles en su superficie exterior/interior. Inspeccione las aberturas de entrada y salida de aire dentro y fuera del recinto para asegurarse de que el flujo de aire no presenta bloqueos.

AVISO El tratamiento incorrecto del generador puede dañarlo y acortar su vida.

- NO exponga el generador a una excesiva humedad, polvo, suciedad o vapores corrosivos.
- NO inserte ningún objeto a través de las ranuras de refrigeración.

Limpieza del generador

 **ADVERTENCIA**

 El calor/los gases de escape podrían encender combustibles, lo que podría ocasionar lesiones graves o la muerte.

- Mantenga el área cercana al generador limpia y libre de desechos.

AVISO NO use la aspersión directa de una manguera de jardín para limpiar el generador. El agua puede entrar en el motor y el generador y causar daños.

AVISO Inspeccione periódicamente el exterior del motor para detectar contaminación y posibles daños por suciedad, hojas, roedores, telarañas, insectos, etc. y retírelos.

1. Presione el interruptor de ENCENDIDO/APAGADO en el lado del generador a la posición “APAGADO” (0).
2. Retire la energía de la red pública al generador para desactivar el cargador de la batería.
3. Quite la cubierta.
4. Retire el fusible de 15 amperios del portafusibles en la parte superior de la caja de control.
5. Retire el panel frontal.
6. Desconecte el cable negativo (-) de la batería.
7. Limpie el generador de la siguiente manera: Use un paño húmedo para limpiar las superficies exteriores. Use un cepillo de cerdas suaves y una aspiradora para aflojar y recoger la suciedad y los residuos. Use aire a baja presión (no más de 25 psi) para eliminar la suciedad y los residuos. Limpie las entradas y salidas de aire de cualquier nieve, hojas o residuos. Para evitar daños en el generador causados por el sobrecalentamiento, estas aberturas deben mantenerse despejadas.
8. Conecte el cable negativo (-) a la batería.
9. Instale el panel frontal.
10. Instale el fusible de 15 amperios en el portafusibles de la parte superior de la caja de control.
11. Instale la cubierta.
12. Restaure la energía de la red pública al generador.
13. Ponga el interruptor de ENCENDIDO/APAGADO del lado del generador en la posición “ENCENDIDO” (I).
14. Ajuste el modo del generador a AUTO.

Mantenimiento del motor

Aceite del motor

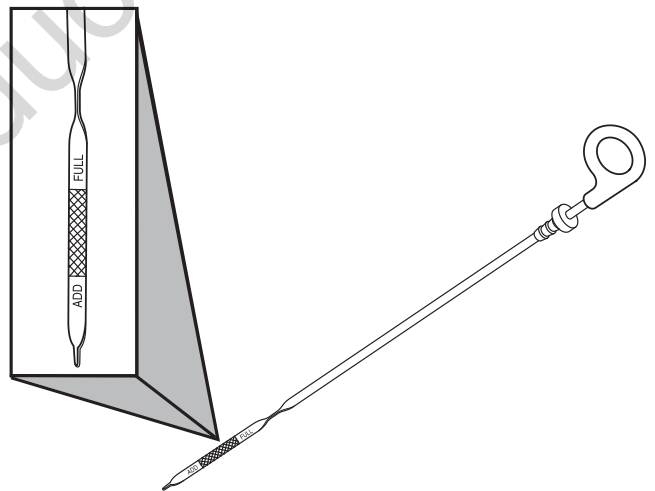
Use sólo aceite de motor sintético completo Briggs & Stratton® 80028446 SAE 5W-30.

Revise el nivel de aceite del motor

El aceite debe mantenerse entre las marcas “AGREGAR” y “LLENO” de la varilla. Para asegurarse de que se muestre

una lectura exacta en la varilla, asegúrese de seguir los siguientes pasos antes de comprobar el nivel de aceite.

1. Presione el interruptor de ENCENDIDO/APAGADO en el lado del generador a la posición “APAGADO” (0).
2. Retire la energía de la red pública al generador para desactivar el cargador de la batería.
3. Quite la cubierta.
4. Retire el fusible de 15 amperios del portafusibles en la parte superior de la caja de control.
5. Retire el panel frontal.
6. Desconecte el cable negativo (-) de la batería.
7. Deje que transcurran aproximadamente cinco minutos para que el aceite se escurra de nuevo en el depósito de aceite.
8. Retire el tapón de la varilla. Límpiela con un paño limpio o una toalla de papel. Luego, empuje la varilla hasta el interior del tubo.
9. Retire la varilla y observe la cantidad de aceite en la varilla. El nivel de aceite debe estar entre las marcas “AGREGAR” y “LLENO”.
10. Si el nivel de aceite está por debajo de la marca “AGREGAR”, inserte la varilla y proceda al paso 8.



11. Retire el tapón de llenado de aceite de la tapa de las válvulas.
12. Añada la cantidad necesaria de aceite para que el nivel suba hasta, pero no por encima, de la marca “LLENO” de la varilla. Instale el tapón de llenado de aceite en la tapa de las válvulas y limpie cualquier derrame de aceite.
13. Conecte el cable negativo (-) a la batería.
14. Instale el panel frontal.
15. Instale el fusible de 15 amperios en el portafusibles de la parte superior de la caja de control.
16. Instale la cubierta.

17. Restaure la energía de la red pública al generador.
18. Ponga el interruptor de ENCENDIDO/APAGADO del lado del generador en la posición "ENCENDIDO" (I).
19. Ajuste el modo del generador a AUTO.

Cambio del aceite del motor y el filtro de aceite

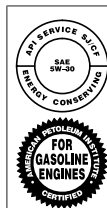
Cambie el aceite mientras el motor aún está caliente por el funcionamiento.

1. Presione el interruptor de ENCENDIDO/APAGADO en el lado del generador a la posición "APAGADO" (0).
2. Retire la energía de la red pública al generador para desactivar el cargador de la batería.
3. Quite la cubierta.
4. Retire el fusible de 15 amperios del portafusibles en la parte superior de la caja de control.
5. Retire el panel frontal.
6. Desconecte el cable negativo (-) de la batería.
7. Coloque la manguera de drenaje de aceite en un recipiente aprobado.
8. Retire el acople de metal del extremo de la manguera de drenaje de aceite.
9. Al vaciar el aceite, instale el acople de metal (que se retiró en el paso 7) de nuevo en la manguera.
10. Ponga un recipiente aprobado debajo del área del filtro de aceite.
11. Retire el filtro de aceite y deséchelo correctamente.
12. Antes de instalar un nuevo filtro de aceite, lubrique ligeramente la junta del filtro de aceite con aceite fresco y limpio.
13. Instale el filtro de aceite a mano hasta que la empaquetadura entre en contacto con el adaptador del filtro de aceite, luego apriete el filtro de aceite de $\frac{1}{2}$ a $\frac{3}{4}$ de giro.
14. Añada la cantidad necesaria de aceite para que el nivel suba hasta, pero no por encima, de la marca "LLENO" de la varilla. Instale el tapón de llenado de aceite y limpie cualquier derrame de aceite.
15. Conecte el cable negativo (-) a la batería.
16. Instale el panel frontal.
17. Instale el fusible de 15 amperios en el portafusibles de la parte superior de la caja de control.
18. Instale la cubierta.
19. Restaure la energía de la red pública al generador.
20. Ponga el interruptor de ENCENDIDO/APAGADO del lado del generador en la posición "ENCENDIDO" (I).
21. Ajuste el modo del generador a AUTO.

Aceite del motor

El motor está lleno de aceite sintético (API SJ/CF 5W-30). Esto permite el funcionamiento del sistema en la más amplia gama de condiciones de temperatura y clima.

Recomendamos el uso de aceite de motor sintético completo Briggs & Stratton® 80028446 SAE 5W-30. Otros aceites detergentes de alta calidad son aceptables si se clasifican para el servicio SJ o superior. No use aditivos especiales.



Nota: El aceite sintético que cumpla con ILSAC GF-2, marca de certificación API y símbolo de servicio API con "CONSERVACIÓN DE ENERGÍA SJ/CF" o superior, es un aceite aceptable a todas las temperaturas. El uso de aceite sintético no altera los intervalos de cambio de aceite requeridos.

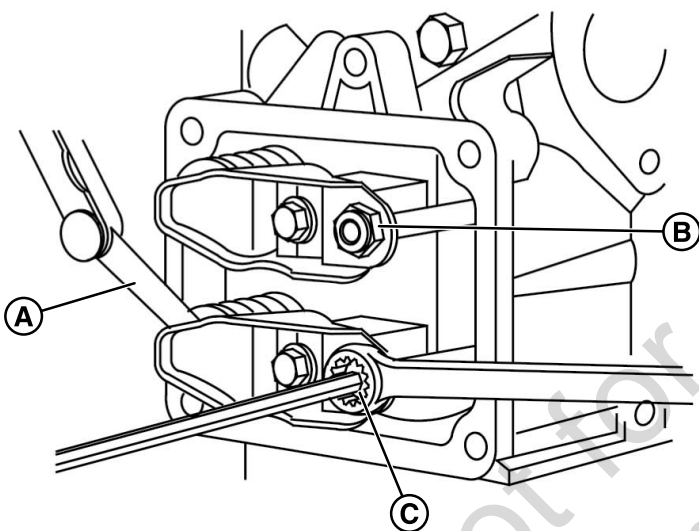
Ajuste la holgura de las válvulas

La pestaña de la válvula debe ser revisada cada 100 horas de funcionamiento. Mida la holgura de la válvula con el motor frío. Para ajustar la pestaña de la válvula, proceda de la siguiente manera:

1. Presione el interruptor de ENCENDIDO/APAGADO en el lado del generador a la posición "APAGADO" (0).
2. Retire la energía de la red pública al generador para desactivar el cargador de la batería.
3. Quite la cubierta.
4. Retire el fusible de 15 amperios del portafusibles en la parte superior de la caja de control.
5. Retire el panel frontal.
6. Desconecte el cable negativo (-) de la batería.
7. Quite los dos cierres de la tapa de la válvula para acceder a las válvulas.
8. Quite las bujías para facilitar la rotación manual del cigüeñal del motor.
9. Gire el cigüeñal en sentido contrario a las agujas del reloj hasta que el pistón esté en el punto muerto superior en la carrera de compresión.
10. Ponga un destornillador estrecho o una varilla en el agujero de la bujía como medidor. Luego, gire lentamente el cigüeñal en el sentido contrario a las agujas del reloj hasta que el pistón se mueva hacia abajo por el orificio de 1/4 pulg (0,635 cm).
11. Para el motor del modelo 38:
 - Utilice un calibrador de espesor (A) para medir la holgura de la válvula.
 - Para ajustar la holgura, afloje la tuerca de seguridad (B) y luego gire el tornillo de ajuste (C) para obtener las medidas de holgura que siguen:
 - Entrada: 0,005 pulg (0,13 mm)
 - Escape: 0,008 pulg (0,20 mm).
 - Cuando la holgura esté ajustada correctamente, sujete el tornillo de ajuste mientras aprieta la tuerca de seguridad a 70 pulg/libras. (8 Nm).
 - Consulte el manual de servicio del motor correspondiente
12. Ensamble la tapa de la válvula alineando cuidadosamente los agujeros de la tapa y del sujetador.

Apriete los cierres de la cubierta de la válvula a 35 pulg/lbs (3,9 Nm).

13. Repita los pasos para la otra válvula.
14. Conecte el cable negativo (-) a la batería.
15. Instale el panel frontal.
16. Instale el fusible de 15 amperios en el portafusibles de la parte superior de la caja de control.
17. Instale la cubierta.
18. Restaure la energía de la red pública al generador.
19. Ponga el interruptor de ENCENDIDO/APAGADO del lado del generador en la posición "ENCENDIDO" (I).
20. Ajuste el modo del generador a AUTO.



Sistema de regulación electrónica

El sistema de regulación electrónica del motor permite mejorar el control y aumentar el rendimiento del generador en comparación con los sistemas de regulación mecánica. El resultado es un funcionamiento suave y estable sin la "caza" común a muchos reguladores mecánicos. El sistema también reduce las variaciones de velocidad bajo la carga y descarga del motor y reduce significativamente la fluctuación de frecuencia que se experimenta cuando el motor está bajo cargas más altas.

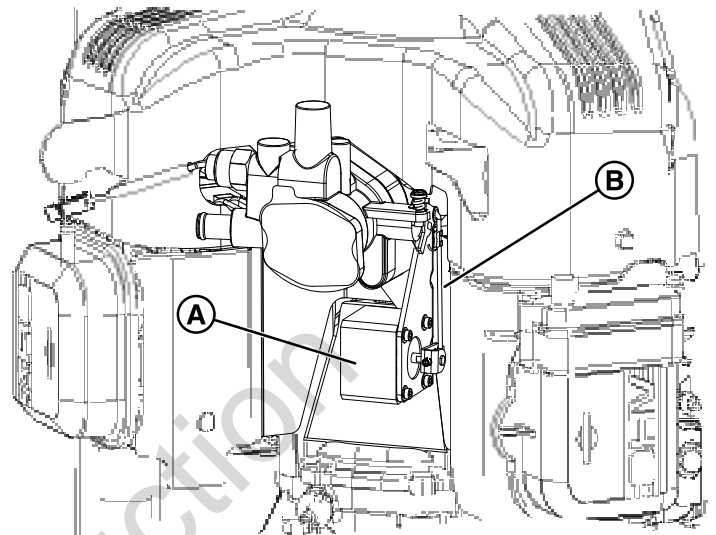
El sistema de regulación electrónica está compuesto por un motor de pasos (A) y enlaces de control del acelerador del motor de pasos (B). La tarjeta de control contiene un controlador digital que procesa la información de la velocidad del motor y envía los comandos apropiados al motor de paso para controlar la posición del acelerador del motor.

Dado que el sistema de regulación electrónica controla la demanda de aceleración del motor en función de la carga del generador, los siguientes códigos y/o condiciones de

servicio pueden relacionarse con un problema del sistema de regulación electrónica:

- El motor no enciende
- Sobre velocidad
- Baja frecuencia
- Control de motor sin carga inestable

Mientras se solucionan estas condiciones, se puede iniciar una verificación del sistema de regulación electrónica a través del tablero de control - Prueba del Actuador.



Verificación de regulación electrónica

El generador tiene un dispositivo de regulación electrónica que enciende el motor de pasos y mueve el acoplamiento del acelerador en el sentido de las agujas del reloj y en el sentido contrario dentro de los límites del acelerador. La prueba girará el motor de pasos y moverá el brazo del acelerador entre el acelerador abierto y los límites de ralentí por hasta 10 segundos. Esto permitirá la verificación visual de que el motor de paso funciona correctamente y los enlaces de control se conectaron. El motor no intentará arrancar durante esta prueba. Si el motor de pasos no se mueve, o si un enlace se une, entonces el mantenimiento será necesario.

AVISO Si el motor a pasos no se mueve, por favor, asegúrese de que el conector del motor a pasos esté conectado.

Mantenimiento de las bujías

ADVERTENCIA

Cualquier chispa generada involuntariamente podría causar incendios o descargas eléctricas, lo que podría provocar lesiones graves o incluso la muerte.

AL AJUSTAR O REPARAR EL GENERADOR

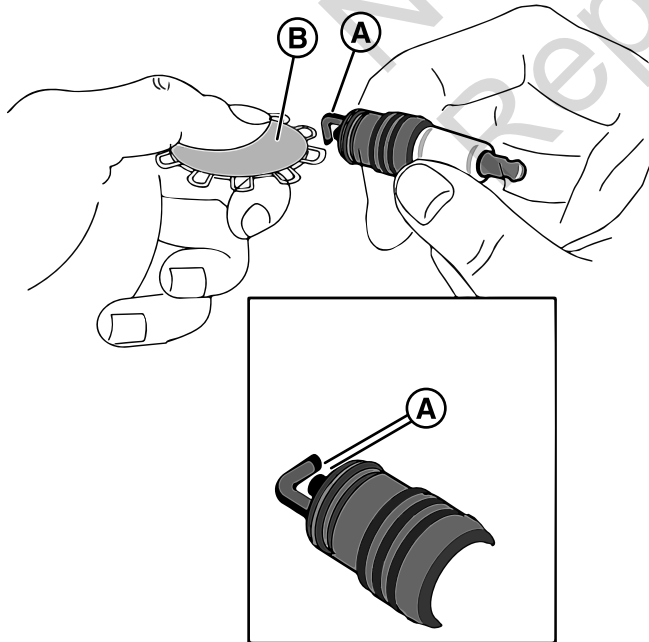
- Desconecte el cable de la bujía y colóquelo en un lugar donde no pueda entrar en contacto con la bujía.

AL PROBAR LA BUJÍA DEL MOTOR

- Use un probador de bujías aprobado.
- NO revise si hay chispas con la bujía extraída.

El cambio de las bujías ayudará a que el motor arranque más fácilmente y funcione mejor.

1. Presione el interruptor de ENCENDIDO/APAGADO en el lado del generador a la posición "APAGADO" (0).
2. Retire la energía de la red pública al generador para desactivar el cargador de la batería.
3. Quite la cubierta.
4. Retire el fusible de 15 amperios del portafusibles en la parte superior de la caja de control.
5. Retire el panel frontal.
6. Desconecte el cable negativo (-) de la batería.
7. Limpie el área alrededor de las bujías.
8. Retire e inspeccione las bujías.
9. Verifique la separación de los electrodos (A) con el calibre de la lámina metálica (B) y reajuste la separación de la bujía a la separación recomendada si es necesario (ver *Especificaciones del motor* al final de este manual).




10. Cambie las bujías si los electrodos están picados, quemados o la porcelana está agrietada. Utilice las bujías de reemplazo recomendadas (ver *Especificaciones del motor* al final de este manual).

11. Instale las bujías y apriételas a 180 pulg/libras (20 Nm).
12. Conecte el cable negativo (-) a la batería.
13. Instale el panel frontal.
14. Instale el fusible de 15 amperios en el portafusibles de la parte superior de la caja de control.
15. Instale la cubierta.
16. Restaure la energía de la red pública al generador.
17. Ponga el interruptor de ENCENDIDO/APAGADO del lado del generador en la posición "ENCENDIDO" (I).
18. Ajuste el modo del generador a AUTO.

Filtro del aire del motor

ADVERTENCIA

 Los vapores gaseosos son extremadamente inflamables y explosivos. El fuego o la explosión pueden causar quemaduras graves o la muerte.

- Nunca arranque y haga funcionar el motor sin el conjunto de filtro de aire (si está equipado) o el filtro de aire (si está equipado).
1. Presione el interruptor de ENCENDIDO/APAGADO en el lado del generador a la posición "APAGADO" (0).
 2. Retire la energía de la red pública al generador para desactivar el cargador de la batería.
 3. Quite la cubierta.
 4. Retire el fusible de 15 amperios del portafusibles en la parte superior de la caja de control.
 5. Retire el panel frontal.
 6. Desconecte el cable negativo (-) de la batería.
 7. Retire el cartucho del filtro.
 8. Limpie el tubo de salida y compruebe la válvula de descarga de polvo (si tiene): utilice un paño limpio para limpiar la superficie donde se sella el filtro y las superficies del tubo de salida. Asegúrese de remover todo contaminante antes de que el nuevo filtro se inserte. No dañe el área donde se sella el tubo. Compruebe y apriete la válvula de descarga de polvo que está adjunta a la tapa de servicio para asegurarse de que es flexible y no está invertida, dañada o tapada.
 9. Limpie el filtro: use un cepillo de cerdas suaves para aflojar la suciedad y una aspiradora para eliminar la suciedad y los residuos. Cambie el cartucho de filtro si encuentra algún agujero en el medio filtrante.
 10. Instale el filtro limpio correctamente: inserte el filtro con cuidado. Encaje el filtro con la mano. Asegúrese de que esté completamente encajado en la carcasa del filtro de aire antes de colocar la tapa.
 11. Instale la cubierta de servicio. Asegúrese que todas las bandas de montaje, abrazaderas, pernos y conexiones de todo el sistema para filtrar el aire estén ajustadas y asegúrese de que no haya agujeros en las tuberías; repárelas si es necesario.

12. Conecte el cable negativo (-) a la batería.
13. Instale el panel frontal.
14. Instale el fusible de 15 amperios en el portafusibles de la parte superior de la caja de control.
15. Instale la cubierta.
16. Restaure la energía de la red pública al generador.
17. Ponga el interruptor de ENCENDIDO/APAGADO del lado del generador en la posición "ENCENDIDO" (I).
18. Ajuste el modo del generador a AUTO.

Mantenimiento del sistema de escape



ADVERTENCIA



El contacto con el área del silenciador podría causar quemaduras que podrían ocasionar lesiones graves.

- NO toque las piezas calientes y EVITE los gases de escape calientes.
- Deje que el equipo se enfríe antes de tocarlo.

Cuando inspeccione el sistema de escape, compruebe lo siguiente:

- Inspeccione el colector de escape de la cabeza del cilindro en busca de fugas.
- Verifique que todos los pernos de retención y los escudos (si se usan) estén en su lugar.
- Inspeccione los cierres entre el colector y el tubo de escape para asegurarse de que se apretaron y que no hay fugas en el escape. Repárelo si es necesario.
- Inspeccione la conexión de la tubería de escape en busca de fugas. Repárelo si es necesario.

Es una infracción del Código de Recursos Públicos de California, Sección 4442, utilizar u operar el motor en cualquier terreno cubierto por árboles, césped o maleza a menos que el sistema de escape esté equipado con un supresor de chispas, en virtud de la Sección 4442, el cual se mantenga en buenas condiciones de operación. Otros estados o jurisdicciones federales cuentan con leyes similares; consulte la Regulación Federal 36 CFR Sección 261.52.

Mantenimiento del sistema de combustible



ADVERTENCIA



El gas propano y el gas natural son extremadamente inflamables y explosivos y pueden causar quemaduras, incendios o explosiones que podrían ocasionar lesiones graves o la muerte.

- Inspeccione el sistema de combustible de manera periódica.
- NO puede haber ninguna pérdida.
- NO opere la máquina si siente olor a combustible.

Regulador de presión

Los componentes del regulador de presión han sido diseñados y calibrados específicamente para cumplir con los requisitos del sistema de combustible del motor.

Si el regulador no funciona o tiene una fuga, debe ser reparado o reemplazado con las piezas de repuesto OEM recomendadas. Al inspeccionar el regulador, compruebe lo siguiente:

- Revise si hay alguna fuga de combustible en las conexiones de entrada y salida.
- Revise si hay alguna fuga de combustible en el cuerpo del regulador.
- Revise para asegurarse de que el regulador está montado correctamente y los pernos de montaje están apretados.
- Revise el regulador para ver si hay daños externos.

Mezclador/Dispositivo de control del acelerador

Los componentes del mezclador y del cuerpo del acelerador se diseñan específicamente y se calibran para cumplir con los requisitos del sistema de combustible del motor.

Un filtro de aire sucio puede alterar significativamente el rendimiento del mezclador. Asegúrese que el filtro de aire esté limpio. Al inspeccionar el mezclador y el cuerpo del acelerador, compruebe lo siguiente:

- Verifique si hay fugas en todas las instalaciones.
- Asegúrese que el mezclador y el cuerpo del acelerador se instalen bien.
- Inspeccione y limpie el elemento del filtro de aire de acuerdo con los intervalos de servicio recomendados que figuran en el cuadro de mantenimiento.
- Inspeccione la conexión de la manguera de entrada de aire y la abrazadera. Inspeccione la manguera en busca de grietas, roturas o raspaduras. Cambie si es necesario.
- Verifique las líneas de combustible para ver si están agrietadas, partidas o raspadas. Cambie si es necesario.
- Verifique si hay fugas en el cuerpo del acelerador y en el colector de admisión.

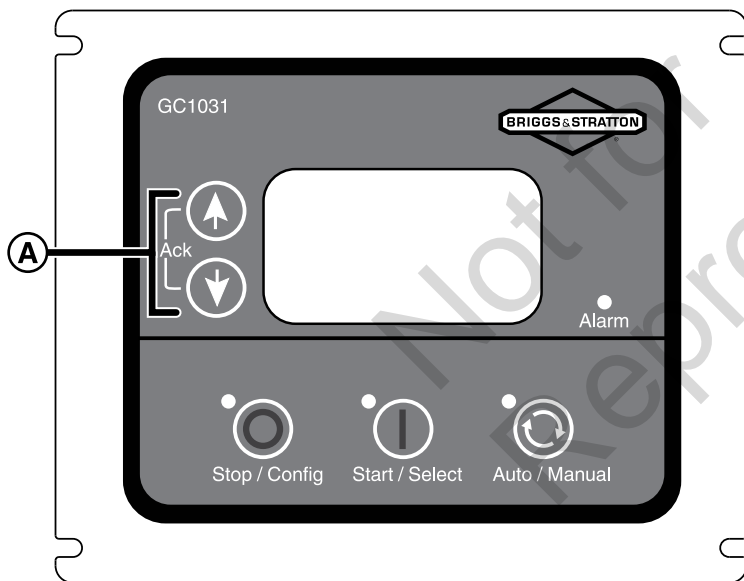
Alarmas (Sistema de detección de códigos de servicio)

El generador tendrá que funcionar durante largos períodos de tiempo sin la presencia de un operador. Por esa razón, el sistema se equipa con sensores que apagan automáticamente el generador en caso de condiciones potencialmente dañinas, como baja presión de aceite, alta temperatura, exceso de velocidad y otras condiciones.

La tarjeta de control del generador muestra las descripciones de las alarmas de servicio en la pantalla digital. Las descripciones de las alarmas de servicio se encuentran en la sección "Alarmas" dentro del manual en línea "Instrucciones del controlador del GENSET GC1031" (número de pieza 80086364).

Reconozca y reinicie las alarmas (Sistema de detección de códigos de servicio)

Presione las flechas arriba y abajo (A) simultáneamente para reiniciar la alarma.



Mantenimiento del sistema eléctrico

Cableado y conexiones

El sistema eléctrico del generador incorpora computadoras para controlar varios componentes. Los conectores del sistema eléctrico y las tomas de tierra requieren buenas conexiones. Cuando inspeccione el sistema eléctrico, compruebe lo siguiente:

- Revise los cables positivos (+) y negativos (-) de la batería para ver si hay corrosión, roces, rozaduras, quemaduras, y asegúrese de que las conexiones están apretadas en ambos extremos.

- Revise la batería para ver si hay grietas o daños en la caja. Cambie si es necesario.
- Inspeccione el arnés de cables del motor para ver si hay roces, rozaduras, pellizcos, quemaduras y grietas o roturas en el cableado.
- Asegúrese de que los conectores del arnés del motor estén correctamente asegurados.
- Inspeccione el cable de la bobina de ignición para ver si se endurece, agrieta, roza, quema, se separa y se parte la cubierta de la bota.
- Inspeccione los cables de las bujías para ver si están endurecidos, agrietados, rozados, quemados, separados y con las tapas de las botas partidas.
- Sustituya las bujías en los intervalos requeridos que figuran en el cuadro de mantenimiento.
- Asegúrese de que todos los componentes eléctricos estén bien montados en el motor o el chasis.
- Asegúrese de que cualquier servicio eléctrico adicional que se instale por el propietario esté correctamente instalado en el sistema.

Mantenimiento de la batería

El mantenimiento de las baterías se debe realizar o supervisar por personal que conozca las baterías y las precauciones necesarias. Mantenga al personal no autorizado alejado de las baterías.

⚠ ADVERTENCIA

⚠ El fluido de electrolito de las baterías contiene ácido y es extremadamente cáustico. El contacto con el contenido de la batería podría producir quemaduras químicas graves.

- NO abra ni destruya la batería.
- Use gafas de protección, así como delantal, botas y guantes de goma.
- Lave inmediatamente el electrolito de la piel con agua.
- Si el electrolito entra en contacto con los ojos, enjuague inmediatamente con agua y busque atención médica.
- El electrolito derramado debe limpiarse con un agente neutralizador de ácido.

⚠ ADVERTENCIA

⚠ Las baterías almacenadas emiten hidrógeno explosivo durante las recargas. La chispa más pequeña podría encender el hidrógeno y causar una explosión, lo que puede provocar la muerte o lesiones graves.

- NO elimine una batería en el fuego. Recicle la batería.
- NO permita que se produzca ninguna llama abierta, chispa o calor, ni encienda un cigarrillo mientras carga la batería o durante varios minutos después de la carga.



ADVERTENCIA



Las baterías presentan un riesgo de descarga eléctrica y alta corriente de cortocircuito.

- Quítese el reloj, los anillos u otros objetos metálicos.
- Use herramientas con mangos aislados.
- Desconecte la fuente de carga antes de conectar o desconectar las terminales de la batería.
- No coloque herramientas o partes metálicas encima de las baterías.
- Desconecte el cable negativo (-) de la batería durante la instalación y mantenimiento.

1. Presione el interruptor de ENCENDIDO/APAGADO en el lado del generador a la posición "APAGADO" (0).
2. Retire la energía de la red pública al generador para desactivar el cargador de la batería.
3. Quite la cubierta.
4. Retire el fusible de 15 amperios del portafusibles en la parte superior de la caja de control.
5. Retire el panel frontal.
6. Desconecte el cable negativo (-) de la batería.
7. Desconecte el cable positivo (+) de la batería.
8. Revise o cambie la batería según sea necesario.
9. Conecte el cable positivo (+) a la batería.
10. Conecte el cable negativo (-) a la batería.
11. Instale el panel frontal.
12. Instale el fusible de 15 amperios en el portafusibles de la parte superior de la caja de control.
13. Instale la cubierta.
14. Restaure la energía de la red pública al generador.
15. Ponga el interruptor de ENCENDIDO/APAGADO del lado del generador en la posición "ENCENDIDO" (I).
16. Ajuste el modo del generador a AUTO.

Reemplazo de la batería

1. Presione el interruptor de ENCENDIDO/APAGADO en el lado del generador a la posición "APAGADO" (0).
2. Retire la energía de la red pública al generador para desactivar el cargador de la batería.
3. Quite la cubierta.
4. Retire el fusible de 15 amperios del portafusibles en la parte superior de la caja de control.
5. Retire el panel frontal.
6. Desconecte el cable negativo (-) de la batería.
7. Desconecte el cable positivo (+) de la batería.
8. Retire la batería e instale una batería de repuesto.



NO CONTAMINE. PROTEJA LOS RECURSOS.
DEVUELVA LA BATERÍA USADA AL CENTRO DE
RECOLECCIÓN DE RECICLAJE.

9. Conecte el cable positivo (+) a la batería.
10. Conecte el cable negativo (-) a la batería.
11. Instale el panel frontal.
12. Instale el fusible de 15 amperios en el portafusibles de la parte superior de la caja de control.
13. Instale la cubierta.
14. Restaure la energía de la red pública al generador.
15. Ponga el interruptor de ENCENDIDO/APAGADO del lado del generador en la posición "ENCENDIDO" (I).
16. Ajuste el modo del generador a AUTO.

Carga de la batería

Si es necesario cargar la batería, proceda de la siguiente manera:

1. Presione el interruptor de ENCENDIDO/APAGADO en el lado del generador a la posición "APAGADO" (0).
2. Retire la energía de la red pública al generador para desactivar el cargador de la batería.
3. Quite la cubierta.
4. Retire el fusible de 15 amperios del portafusibles en la parte superior de la caja de control.
5. Retire el panel frontal.
6. Desconecte el cable negativo (-) de la batería.

AVISO Si no se desconecta el cable de la batería negativa, podría producirse una falla en el equipo. NO intente hacer puente para arrancar el generador. Los daños al equipo que resulten de no seguir estas instrucciones anularán la garantía del motor y del generador.

7. Cargue la batería con el cargador de batería a 2 amperios hasta que la batería contenga 12 Voltios. NO exceda los 13,7 voltios cuando cargue la batería.

AVISO NO use un elevador de batería para cargar rápidamente una batería baja.

8. Conecte el cable negativo (-) a la batería.
9. Instale el panel frontal.
10. Instale el fusible de 15 amperios en el portafusibles de la parte superior de la caja de control.
11. Instale la cubierta.
12. Restaure la energía de la red pública al generador.
13. Ponga el interruptor de ENCENDIDO/APAGADO del lado del generador en la posición "ENCENDIDO" (I).
14. Ajuste el modo del generador a AUTO.

Solución de problemas

manual en línea "Instrucciones del controlador del GENSET GC1031" (número de parte 80086364)

Las descripciones de las alarmas de servicio y sus causas se encuentran en la tabla de la sección "Alarmas" dentro del

Solución de problemas

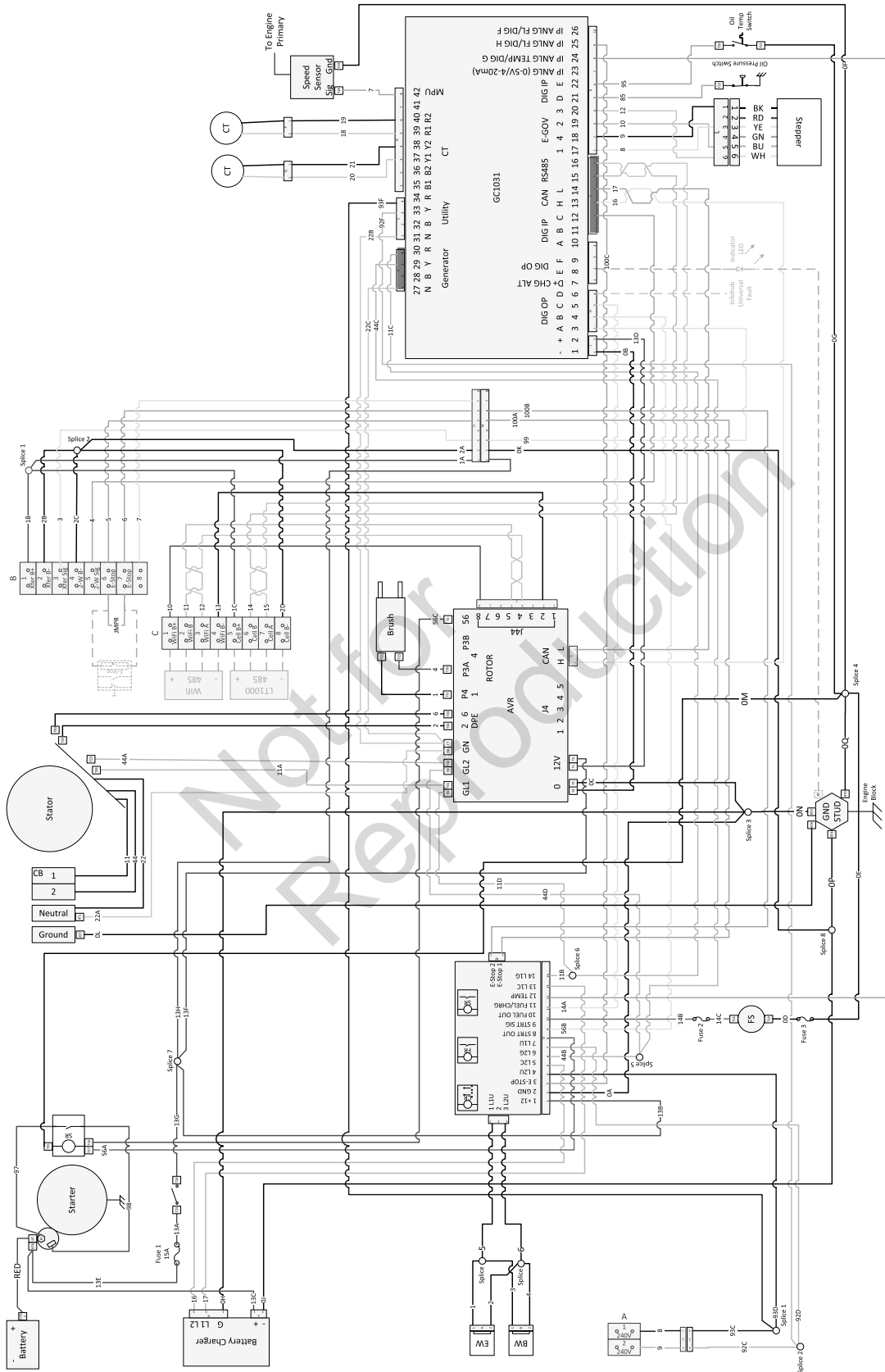
PROBLEMA	CAUSA	CORRECCIÓN
El motor está funcionando, pero no hay salida de CA disponible.	<ol style="list-style-type: none"> 1. El disyuntor del circuito está abierto o defectuoso. 2. Alarma en el tablero de control del generador. 3. Conexiones de cableado deficientes o un interruptor de transferencia defectuoso. 	<ol style="list-style-type: none"> 1. Reinicie o reemplace el disyuntor del circuito. 2. Consulte la sección de <i>Alarmas</i> dentro del manual en línea "Instrucciones del controlador del GENSET GC1031" (número de pieza 80086364). Contacte con el servicio de instalación local. 3. Verifique y repare o contacte con el servicio de instalación local.
El motor funciona bien sin carga, pero se "atasca" cuando las cargas se conectan.	<ol style="list-style-type: none"> 1. El generador está sobrecargado. 2. Cortocircuito en una carga conectada. 3. Un circuito de generador en cortocircuito. 4. La presión o mezcla del combustible es incorrecta. 5. Una línea de combustible torcida entre el regulador y el motor. 6. Filtro de aire obstruido. 	<ol style="list-style-type: none"> 1. Retire una o más cargas. 2. Desconecte la carga eléctrica en cortocircuito. 3. Contacte con el servicio de instalación local. 4. Ver <i>Sistema de combustible gaseoso</i> en este manual. 5. Quite la torcedura. Reemplace las piezas, si es necesario. 6. Limpieza o cambio del filtro de aire.
El motor no arranca; o arranca y funciona mal	<ol style="list-style-type: none"> 1. Fusible de 15 amperios perdido o fundido. 2. Fusible(s) térmico(s) fundido(s). 3. El suministro de combustible se ha suspendido o se ha agotado. 4. Selección incorrecta de combustible. 5. Batería defectuosa. 6. Filtro de aire obstruido. 7. Enlace de acelerador vinculante 	<ol style="list-style-type: none"> 1. Instale un (nuevo) fusible de 15 amperios. Ver <i>Tarjeta de control del sistema</i> 2. Reemplace el(los) fusible(s) térmico(s). 3. Abra la(s) válvula(s) de combustible; compruebe el tanque de propano. 4. Verifique el interruptor del selector de combustible y colóquelo en la posición correcta. (Si aplica) 5. Reemplace la batería. 6. Limpieza o cambio del filtro de aire. 7. Verifique la conexión.
El motor se apaga durante la operación.	<ol style="list-style-type: none"> 1. El suministro de combustible se ha suspendido o se ha agotado. 2. La pantalla digital de la tarjeta de control muestra una alarma. 	<ol style="list-style-type: none"> 1. Verifique las válvulas de combustible, llene el tanque de propano. 2. Consulte la sección de <i>Alarmas</i> dentro del manual en línea "Instrucciones del controlador del GENSET GC1031" (número de pieza 80086364).
Pérdida de energía en los circuitos.	<ol style="list-style-type: none"> 1. Disyuntor del circuito del generador está abierto. 2. Problemas con el interruptor de transferencia. 	<ol style="list-style-type: none"> 1. Reinicie el interruptor de circuito. 2. Ver manual del interruptor de transferencia.
La unidad no acciona.	<ol style="list-style-type: none"> 1. La placa de control no está ajustada en AUTO. 2. El temporizador de movimiento no está ajustado o está en APAGADO. 3. La fecha y la hora de la unidad no se fijaron. 4. Batería defectuosa. 5. Fusible de 15 amperios perdido o fundido. 	<ol style="list-style-type: none"> 1. Presione el botón AUTO en la tarjeta de control. 2. Ponga el temporizador de movimiento. 3. Ponga la fecha y la hora de la unidad. 4. Reemplace la batería. 5. Instale un (nuevo) fusible de 15 amperios. Ver <i>Tarjeta de control del sistema</i>.
Vibración excesiva	<ol style="list-style-type: none"> 1. Suelte el cierre mecánico. 	<ol style="list-style-type: none"> 1. Verifique y repare o contacte con el servicio de instalación local.
Olor de combustible	<ol style="list-style-type: none"> 1. Fuga de combustible. 	<ol style="list-style-type: none"> 1. Apague la válvula de combustible de cierre manual. Contacte con el servicio de instalación local.

La energía de la red pública regresa, la unidad no se detiene	<ol style="list-style-type: none"> 1. Fusibles quemados en el interruptor de transferencia. 2. No han transcurrido los 5 minutos de enfriamiento. 3. Mala conexión de los cables o controladores defectuosos. 	<ol style="list-style-type: none"> 1. Instale (nuevos) fusibles. 2. Espere 5 minutos. 3. Verifique y repare o contacte al servicio de instalación local.
Posibles problemas en el MODO MANUAL	Ver Tabla 7 (Fallas comunes y sus acciones correctivas) dentro del manual en línea "Instrucciones del controlador del GENSET GC1031" (número de parte 80086364).	
Posibles problemas en el MODO AUTOMÁTICO	Ver Tabla 7 (Fallas comunes y sus acciones correctivas) dentro del manual en línea "Instrucciones del controlador del GENSET GC1031" (número de parte 80086364).	
Posibles problemas con la regulación electrónica	Ver Tabla 7 (Fallas comunes y sus acciones correctivas) dentro del manual en línea "Instrucciones del controlador del GENSET GC1031" (número de parte 80086364).	

Not for
Reproduction

Diagramas y Esquemas

Diagrama y esquema de cableado



Especificaciones

Especificaciones del generador: 12 kW

Corriente de carga máxima nominal* (a 25 °C/77 °F, LP)*: a 240 voltios	50 amperios
Voltaje nominal de CA	120/240 Voltios
Fase	Monofásico
Frecuencia nominal	60 Hertz
Disyuntor del generador	60 amperios
Rango de funcionamiento normal	-20 °F (-28,8 °C) a 104 °F (40 °C)
Nivel de sonido de salida	72,3 dB(A) a 23 pies (7 m) con carga normal
Peso con embalaje	318 lb (144 kg)

* La clasificación del gas natural dependerá de un combustible específico, pero las típicas derivaciones están entre el 10 y el 20 % de la clasificación del gas LP.

Especificaciones del motor

Cilindrada	38,26 ci. (627 cc)
Diámetro interno del cilindro	2,972 pulg (75,5 mm)
Carrera	2,756 pulg (70 mm)
Entrehierro de la bujía	0,020 pulg (0,51 mm)
Torque de la bujía	180 lb-pulg (20 Nm)
Entrehierro del inducido	0,008 - 0,012 pulg (0,20 - 0,30 mm)
Espacio libre de la válvula de admisión	0,004 - 0,006 pulg (0,10 - 0,15 mm)
Espacio libre de la válvula de escape	0,007 - 0,009 pulg (0,18 - 0,23 mm)
Tipo de aceite	5W30 sintético
Capacidad de aceite: con el filtro	42 - 45 oz. (1,24 - 1,33 L)

Table des matières:

Proposition 65 de la Californie (California Proposition 65).....	86	Changement d'huile à moteur et de filtre à l'huile.....	119
Merci.....	86	Réglage du jeu des soupapes.....	119
Comment nous joindre.....	86	Système de régulation électronique.....	120
À des fins de consultation ultérieure.....	86	Vérification du régulateur électronique.....	120
Consignes de sécurité importantes.....	86	Entretien des bougies.....	121
Symbole d'alerte de sécurité et mots de signal.....	86	Filtre à air du moteur.....	121
Les symboles de sécurité et leur signification.....	87	Entretien du système d'échappement.....	122
Messages de sécurité.....	87	Entretien du circuit d'alimentation.....	122
Information pour l'utilisateur de la FCC Partie 15.....	91	Dispositif de contrôle du diffuseur/accélérateur.....	122
Informations générales.....	92	Alarmes (système de détection des codes de défaillance).....	123
Description de l'équipement.....	92	Confirmer et réinitialiser les alarmes (Système de détection des codes de défaillance).....	123
Responsabilités de l'installateur.....	92	Entretien du système électrique de la génératrice.....	123
Responsabilités du propriétaire.....	92	Dépannage.....	126
Facteurs d'installation à considérer.....	92	Dépannage.....	126
Vérification de la livraison.....	92	Diagrammes et schémas.....	128
Contenu de l'envoi.....	92	Diagramme de câblage.....	128
Positionnement de la génératrice.....	94	Spécifications.....	129
Facteurs à considérer pour l'emplacement de la génératrice.....	94	Spécifications de la génératrice : 12 kW.....	129
Réduire le risque d'empoisonnement par monoxyde de carbone.....	94	Spécifications du moteur.....	129
Réduire le risque d'incendie.....	96		
Autres directives générales concernant l'emplacement.....	98		
Installation.....	99		
Soulèvement de la génératrice.....	99		
Trousse pour temps froids.....	99		
Ancrage et indice de vent.....	100		
Emplacements de l'admission du carburant et de l'entrée électrique.....	101		
Panneaux d'accès.....	101		
Plan d'installation pour le carburant.....	104		
Connexions des champs électriques.....	107		
Tableau de commande du système.....	111		
Démarrage initial (sans charge)	112		
Fonctionnement.....	114		
Caractéristiques et commandes - Génératrices de 12 kW.....	114		
Considérations importantes pour le propriétaire.....	115		
Séquence de fonctionnement automatique.....	115		
Réglage de la minuterie du cycle d'exercice.....	115		
Entretien.....	117		
Entretien du système.....	117		
Calendrier d'entretien.....	117		
Entretien de la génératrice.....	117		
Nettoyer la génératrice.....	118		
Entretien du moteur.....	118		

Proposition 65 de la Californie (California Proposition 65)



AVERTISSEMENT

Ce produit peut vous exposer à des agents chimiques, y compris de l'huile à moteur usée, connue dans l'État de la Californie pour causer le cancer, ainsi que le monoxyde de carbone, connu dans l'État de la Californie pour causer des malformations congénitales ou les dommages à l'appareil reproducteur. Pour obtenir de plus amples renseignements, visitez le www.P65Warnings.ca.gov.

Merci

Nous vous remercions d'avoir acheté cette génératrice de qualité Briggs & Stratton. Merci de faire confiance à la marque Briggs & Stratton. Si vous respectez les instructions d'utilisation et d'entretien du présent manuel, vous pourrez vous fier à votre système durant de nombreuses années.

Ce manuel contient des renseignements sur la sécurité pour vous informer des dangers et des risques associés aux génératrices de secours et sur la façon de les éviter. Ce produit est conçu pour être utilisé uniquement en tant que génératrice optionnelle fournissant une source d'électricité de rechange et pour desservir des charges comme le chauffage, les systèmes de réfrigération et les systèmes de communication qui, lorsqu'ils sont arrêtés durant une panne d'électricité, peuvent causer de l'inconfort ou d'autres désagréments.

CONSERVEZ CES INSTRUCTIONS – Ce manuel renferme d'importantes instructions à suivre durant l'installation, le fonctionnement et l'entretien de la génératrice et des batteries.

Cette génératrice exige une installation par un professionnel avant d'être utilisée. L'installateur doit suivre ces instructions à la lettre.

Comment nous joindre

Vous n'aurez jamais à chercher bien loin pour trouver un centre de soutien et service pour votre équipement. Il y a plusieurs détaillants de service agréés partout dans le monde qui fournissent des services de qualité. Vous pouvez aussi communiquer avec le Service à la clientèle par téléphone au **800 732-2989** entre 8 h et 17 h (HC), ou cliquer sur Trouver un revendeur sur www.briggsandstratton.com pour obtenir une liste de détaillants autorisés.

À des fins de consultation ultérieure

Veuillez fournir les renseignements suivants et les conserver avec votre reçu. Ayez l'information à portée de main si vous devez prendre contact avec votre installateur ou un détaillant autorisé à propos du service ou de la réparation de l'appareil.

Date d'achat : _____

Concessionnaire/détaillant : _____

Numéro de téléphone du concessionnaire/détaillant : _____

GÉNÉRATRICE :

Numéro de modèle : _____

Révision du modèle : _____

Numéro de série : _____

MOTEUR :

Numéro de modèle : _____


Numéro de série : _____

Consignes de sécurité importantes

Nous nous sommes efforcés de fournir dans ce manuel des informations exactes et à jour. Toutefois, nous nous réservons le droit de changer ou d'améliorer le produit et ce document, et ce, sans avis.

Le fabricant ne peut prévoir toutes les circonstances potentielles pouvant comporter un danger. Par conséquent, les avertissements figurant au présent manuel ainsi que sur les plaques et les décalques apposés sur l'unité, ne sauraient englober l'ensemble des possibilités. Si vous suivez une procédure, une méthode de travail ou une technique d'opération non recommandée par le fabricant, vous devez vous assurer qu'elle ne compromet ni votre sécurité, ni celle des autres. Vous devez également vous assurer que la procédure, la méthode de travail ou la technique d'utilisation que vous choisissez ne rende pas la génératrice dangereuse.

Symbole d'alerte de sécurité et mots de signal


Le symbole d'alerte de sécurité  identifie l'information de sécurité relative aux dangers pouvant causer des blessures. Un mot de signalisation (**DANGER**, **AVERTISSEMENT** ou **ATTENTION**) est utilisé conjointement avec le symbole d'alerte pour indiquer la possibilité et la gravité des blessures potentielles. En plus, un symbole de danger peut être utilisé pour représenter un type de danger.



DANGER indique un danger qui, si non évité, **provoquera** la mort ou des blessures graves.







AVERTISSEMENT indique un danger qui, si non évité, **pourrait** provoquer la mort ou des blessures graves.

 **ATTENTION** indique un danger qui, si non évité, **pourrait** causer une blessure mineure ou modérée.

AVIS : Indique des informations considérées importantes, mais non liées aux dangers.


Les symboles de sécurité et leur signification

Symbole	Signification
	Symbole d'alerte de sécurité. Le symbole d'alerte de sécurité indique un risque de blessure corporelle.
	Lire le manuel. Ne pas obéir aux avertissements, aux instructions et aux manuels d'installation et de l'utilisateur peut entraîner des blessures graves ou la mort.
	Incendie
	Explosion
	Décharge électrique
	Vapeurs toxiques
	Pièces mobiles
	Porter des lunettes de protection
	Produit chimique dangereux
	Surface chaude


Symbole	Signification
	Pièces rotatives
	Écrasement et coupures
	Pression explosive
	Démarrage automatique

Messages de sécurité

 **AVERTISSEMENT**


 L'omission de lire et de respecter le manuel d'utilisation, tous les avertissements et toutes les instructions d'utilisation pourrait entraîner des blessures corporelles graves ou la mort.

 **AVERTISSEMENT**

 Les gaz d'échappement du moteur contiennent du monoxyde de carbone, un gaz toxique pouvant provoquer la mort en quelques minutes. Il est inodore, invisible et sans saveur. Même si vous ne sentez pas de vapeurs d'échappement, vous pourriez quand même être exposé(e) au gaz de monoxyde de carbone.


- Faire fonctionner la génératrice **UNIQUEMENT** à l'extérieur, dans un endroit où les gaz d'échappement mortels ne s'accumuleront pas.
- Diriger les gaz d'échappement des fenêtres, des portes, des prises d'aération, des orifices de ventilation dans l'avant-toit, des vides sanitaires, des portes de garage ouvertes ou de toute autre ouverture par lesquels les gaz d'échappement pourraient pénétrer à l'intérieur ou être aspirés dans les espaces d'un édifice qui pourraient être occupés.
- Des détecteurs de monoxyde de carbone **DOIVENT** être installés à l'intérieur et entretenus conformément aux directives et recommandations du fabricant. Les détecteurs de fumée ne détectent pas le monoxyde de carbone.
- Si vous commencez à vous sentir mal ou faible ou que votre alarme de monoxyde de carbone sonne pendant que vous utilisez ce produit, sortir au grand air immédiatement. Appeler les services d'urgence. Vous pourriez être intoxiqué(e) par le monoxyde de carbone.

 **AVERTISSEMENT**

 Lors de l'entreposage et de la recharge, les batteries dégagent du gaz d'hydrogène. La plus petite étincelle pourrait enflammer l'hydrogène et causer une explosion risquant d'entraîner des blessures graves, voire la mort.


- **NE PAS** jeter la batterie dans un feu. Recycler la batterie.
- **NE PAS** permettre de flamme nue, d'étincelle, de chaleur, de tison de cigarette au cours et plusieurs minutes après la recharge de la batterie.

 **AVERTISSEMENT**

 Le fluide électrolyte de la batterie contient un acide et est extrêmement corrosif. Tout contact avec les composants de la batterie peut causer de graves brûlures chimiques.


- **NE PAS** tenter d'ouvrir ou de mutiler la batterie
- Porter des lunettes de sécurité ainsi qu'un tablier, des bottes et des gants en caoutchouc.
- Laver immédiatement la peau avec de l'eau pour enlever l'électrolyte.
- Si l'électrolyte entre en contact avec les yeux, laver immédiatement avec de l'eau et obtenir de l'aide médicale.
- Tout électrolyte déversé doit être lessivé avec un agent neutralisant d'acide.

 **AVERTISSEMENT**

 Une batterie présente un risque de haute tension lors d'un court-circuit.


- Enlever vos montres, bagues et autres objets métalliques.
- Utiliser des outils dont les poignées sont isolées.
- Déconnecter la source de chargement avant de connecter ou de déconnecter les bornes de la batterie.
- Ne pas placer d'outils ou de pièces métalliques sur les batteries.
- Déconnecter le câble négatif (-) de la batterie lors d'installation ou d'entretien.

 **AVERTISSEMENT**

 Le fait de ne pas isoler la génératrice du service d'alimentation en électricité peut causer des blessures ou même la mort d'employés du service de distribution électrique à la suite de la rétroaction de l'énergie électrique.


- Utiliser un interrupteur de transfert listé pour connexion au système électrique d'un bâtiment.

 **AVERTISSEMENT**

 La tension de la génératrice et de l'électricité de service peut causer un choc électrique ou des brûlures qui peuvent entraîner la mort ou de graves blessures.


- L'installation doit être effectuée par un technicien professionnel.
- Déconnecter toutes les sources électriques avant d'installer ou d'entretenir l'équipement.
- Mettre le système à la terre avant d'alimenter.

 **AVERTISSEMENT**

 Tension dangereuse – Installer un câble haute et basse tension dans le même conduit peut causer un choc électrique ou des brûlures causant la mort ou des blessures graves.


- Ne fixez pas les fils de basse et de haute tension dans le même conduit, sauf si la valeur nominale de l'isolation de TOUS les fils est de 600 V. Consulter NFPA 70 pour plus de renseignements.

 **AVERTISSEMENT**

 La chaleur et les gaz d'échappement peuvent enflammer des matériaux combustibles ou les structures et provoquer des blessures graves, voire la mort.



- Il faut respecter un dégagement d'au moins 5 pi (1,5 m) entre la sortie d'échappement de l'enceinte et les structures, les arbustes, les arbres ou tout type de végétation.
- Il faut respecter un dégagement d'au moins 5 pi (1,5 m) entre l'enceinte de la génératrice et toute fenêtre, porte, ouverture aménagée dans un mur, arbuste ou végétation dépassant les 12 po (30,5 cm) de hauteur.
- Il faut respecter un dégagement vertical d'au moins 5 pi (1,5 m) entre l'enceinte et les structures, surplombs ou arbres.
- NE PAS placer l'enceinte de la génératrice auxiliaire sous une terrasse ou sous tout type de structure pouvant limiter la circulation de l'air.
- Les détecteurs de fumée DOIVENT être installés et entretenus à l'intérieur conformément aux directives du fabricant. Les détecteurs de monoxyde de carbone ne détectent pas la fumée.
- Ne pas placer l'enceinte d'une manière autre que ce qu'indiquent les illustrations.

 **AVERTISSEMENT**

 Les émissions de chaleur ou de gaz pourraient enflammer les produits combustibles, entraînant la mort ou de graves blessures.

- Enlever toutes les matières combustibles du ou autour du compartiment de la génératrice.

 **AVERTISSEMENT**

  Les évaporations gazeuses sont extrêmement inflammables et explosives. Un incendie ou une explosion peut provoquer des brûlures graves voire la mort.

- Ne jamais démarrer ou faire fonctionner le moteur lorsque le dépoussiéreur (si la tondeuse en est équipée) ou le filtre à air (si la tondeuse en est équipée) est retiré.

 **AVERTISSEMENT**

La batterie connectée, la génératrice peut être lancée et démarrer sans avertissement, causant la mort ou des blessures graves.


- Ne pas connecter le câble négatif (-) à la batterie avant que l'installation soit terminée.

 **AVERTISSEMENT**

La batterie connectée, la génératrice peut être lancée et démarrer sans avertissement, causant la mort ou des blessures graves.


- Avant tout entretien, arrêter la génératrice et débrancher le câble négatif (-) de la batterie.

 **AVERTISSEMENT**

 Tension dangereuse – Tout contact avec des lignes électriques peut provoquer une électrocution ou des brûlures pouvant entraîner des blessures graves, voire la mort.


- En cas d'utilisation d'un appareil de levage, faire attention à NE PAS toucher aux lignes d'électricité.
- NE PAS soulever ni déplacer la génératrice sans aide.

 **AVERTISSEMENT**

 Le gaz propane et le gaz naturel sont extrêmement inflammables et explosifs et pourraient causer des brûlures, un incendie ou une explosion qui pourraient provoquer des blessures graves, voire la mort.


- L'installation doit être effectuée par un technicien professionnel.
- Installer le système d'alimentation de carburant conformément à la norme NPFA 37 et aux codes applicables aux carburants et aux gaz.
- Avant de mettre la génératrice en service, il faut purger adéquatement les lignes d'alimentation de carburant et les tester pour en confirmer l'étanchéité.
- Il ne peut y avoir AUCUNE fuite.
- NE PAS utiliser le moteur en présence d'une odeur de carburant.

 **AVERTISSEMENT**

 Le gaz propane et le gaz naturel sont extrêmement inflammables et explosifs et pourraient causer des brûlures, un incendie ou une explosion qui pourraient provoquer des blessures graves, voire la mort.


- Cette génératrice est munie d'un robinet de sécurité pour la fermeture automatique du carburant.
- NE PAS opérer l'équipement si le robinet de fermeture du carburant est manquant ou ne fonctionne pas.

 **AVERTISSEMENT**

 Le gaz propane et le gaz naturel sont extrêmement inflammables et explosifs et pourraient causer des brûlures, un incendie ou une explosion qui pourraient provoquer des blessures graves, voire la mort.


- Le gaz de pétrole liquéfié est plus lourd que l'air et s'accumule près du sol.
- Le gaz naturel est plus léger que l'air et s'accumule en hauteur.
- La plus petite étincelle peut enflammer ces combustibles et causer une explosion.
- NE PAS allumer de cigarette ou fumer.

 **AVERTISSEMENT**

 Le gaz propane et le gaz naturel sont extrêmement inflammables et explosifs et pourraient causer des brûlures, un incendie ou une explosion qui pourraient provoquer des blessures graves, voire la mort.

- Inspecter le système de carburant périodiquement.
- Il ne peut y avoir AUCUNE fuite.
- NE PAS utiliser le moteur en présence d'une odeur de carburant.

 **AVERTISSEMENT**

 La tension de la génératrice et de l'électricité de service peut causer un choc électrique ou des brûlures qui peuvent entraîner la mort ou de graves blessures.

- NE PAS laisser les personnes non qualifiées utiliser ou effectuer un entretien de l'équipement.

 **AVERTISSEMENT**

Une production involontaire d'étincelles peuvent provoquer un feu ou un choc électrique entraînant la mort ou de graves lésions.

LORS DU RÉGLAGE OU DES RÉPARATIONS DE VOTRE GÉNÉRATRICE

- Débrancher le câble de bougie de la bougie et le placer à un endroit où il ne peut pas entrer en contact avec la bougie.

LORS DE TESTS D'ALLUMAGE DU MOTEUR

- Utiliser un vérificateur de bougies d'allumage approuvé.
- NE PAS vérifier l'allumage lorsque la bougie d'allumage est enlevée.

AVIS Un traitement inadéquat de la génératrice peut l'endommager et réduire sa durée de vie utile.

- Utiliser la génératrice seulement pour les utilisations pour lesquelles elle est conçue.
- Si vous avez des questions à propos de l'utilisation prévue de cet appareil, consulter votre détaillant autorisé.
- Utiliser la génératrice seulement sur une surface de niveau.
- Des débits d'air de refroidissement et d'aération adéquats sont nécessaires au bon fonctionnement de la génératrice.
- La porte et les panneaux d'accès doivent être installés lorsque l'unité est en marche.
- NE PAS exposer la génératrice à de l'humidité excessive, à la poussière, aux saletés ou aux vapeurs corrosives.
- Demeurer alerte en tout temps lorsque vous travaillez sur cet équipement. Ne jamais travailler sur l'équipement si vous êtes fatigué physiquement ou mentalement.
- NE PAS insérer d'objet dans les fentes de refroidissement.
- NE PAS utiliser la génératrice ni aucune partie de celle-ci en guise de marche. Le fait de marcher sur l'unité peut causer des contraintes et briser des pièces. Cela peut entraîner des conditions de fonctionnement dangereuses à cause d'une fuite de gaz d'échappement, de carburant, d'huile, etc.
- Éteindre la génératrice si :
 - perte de puissance de sortie;
 - l'équipement produit des étincelles, de la fumée ou des flammes;
 - l'appareil vibre excessivement ou émet des bruits inhabituels.

Information pour l'utilisateur de la FCC Partie 15

Au titre de la partie 15.21 des règlements de la FCC, nous vous avertissons que tout changement ou que toute modification au produit que Briggs & Stratton n'a pas approuvé(e) expressément pourrait annuler votre autorité d'utiliser le produit.

Ces dispositifs se conforment à la section 15 du règlement de la FCC.

Le fonctionnement est assujéti aux deux conditions suivantes : (1) Ce dispositif ne doit pas générer d'interférences nuisibles, et (2) ce dispositif doit accepter toute interférence qui peut causer un fonctionnement non désiré.

Cet équipement a été testé et déclaré conforme aux limites d'interférences relatives aux appareils numériques de classe B de la section 15 du règlement de la FCC. Ces limites sont élaborés dans le but de fournir une protection raisonnable contre les interférences nuisibles dans une installation résidentielle. Cet équipement génère, utilise et émet des radiofréquences et peut causer des interférences nuisibles aux communications radio lorsqu'il n'est pas installé et utilisé conformément à ces directives. Cependant, nous ne pouvons pas vous garantir que des interférences ne se produiront pas dans certaines installations. Si cet équipement cause des interférences nuisibles à la réception de la radio ou de la télévision, ce qui peut être déterminé en allumant et éteignant l'équipement, essayez d'éliminer ces interférences en effectuant une ou plusieurs des mesures suivantes :

- Réorienter ou déplacer l'antenne réceptrice.
- Augmenter la distance entre l'équipement et le récepteur.
- Ne pas brancher l'équipement sur une prise du même circuit sur lequel est branché le récepteur.
- Communiquer avec le concessionnaire ou un technicien spécialiste des radios et télévisions pour obtenir de l'aide.

Informations générales

Pour la plupart des applications, ce manuel contient les renseignements requis pour bien installer, faire fonctionner et entretenir l'équipement. Nous nous sommes efforcés de fournir dans ce manuel des informations exactes et à jour. Nous nous réservons le droit de modifier le produit et ce document sans préavis.

Description de l'équipement

AVIS REMARQUE Ce produit NE se qualifie PAS comme génératrice d'urgence ou génératrice de secours légalement requise tel que défini par la NFPA 70 (NEC).

- Les génératrices d'urgence sont conçues pour alimenter automatiquement l'éclairage, l'alimentation électrique ou les deux à des zones et des équipements désignés dans le cas d'une panne de l'alimentation de service normale. Les génératrices d'urgence peuvent aussi fournir l'alimentation à des fonctions comme la ventilation aux endroits où elle est essentielle pour maintenir la vie, aux endroits où une interruption de l'alimentation électrique normale poserait des risques graves sur la sécurité ou la santé.
- Les génératrices de secours obligatoires selon la réglementation sont conçues pour alimenter automatiquement des charges sélectionnées dans le cas d'une panne de l'alimentation électrique normale qui poseraient des risques ou qui entraveraient des opérations de sauvetage ou de lutte contre les incendies.

Responsabilités de l'installateur

- Lisez et respectez toutes les instructions de sécurité.
- Installer uniquement un commutateur de transfert homologué NRTL compatible avec la génératrice.
- Lisez et suivez les instructions indiquées dans le présent guide d'installation et d'utilisation.
- Toute installation doit être conforme à l'ensemble des codes et des normes de l'industrie, ainsi que des lois et règlements applicables.
- Prévoir suffisamment d'espace de tous les côtés de la génératrice pour l'entretien et les réparations.
- Parler de l'emplacement de la génératrice avec le propriétaire.
- Veiller à ce que TOUS les manuels soient remis au propriétaire une fois l'installation terminée.

Responsabilités du propriétaire

- Lisez et suivez les instructions indiquées dans le présent guide d'installation et d'utilisation.
- Établir un programme d'entretien, de soins et d'utilisation régulier de la génératrice, comme indiqué dans ce manuel.
- Des détecteurs de monoxyde de carbone DOIVENT être installés à l'intérieur et entretenus conformément aux instructions et recommandations du fabricant. Les détecteurs de fumée ne détectent pas le monoxyde de carbone.

- Des détecteurs de fumée DOIVENT être installés et entretenus à l'intérieur conformément aux instructions et recommandations du fabricant. Les détecteurs de monoxyde de carbone ne détectent pas la fumée.

Facteurs d'installation à considérer

Les illustrations apparaissant dans ce manuel sont pour des cas types. Elles ont pour but de vous familiariser avec les différentes options d'installation de votre génératrice.

Au moment de négocier avec un installateur professionnel, il faudra tenir compte des facteurs suivants : les codes locaux et fédéraux, l'apparence, les niveaux de bruits, les types de carburant et les distances. Souvenez-vous que plus grandes sont les distances entre la génératrice et le service électrique existant ainsi que l'alimentation en carburant gazeux et plus il y a de coudes dans l'alimentation en gaz, plus il faudra faire des compensations dans les matériaux de tuyauterie et dans le câblage. Ces modifications sont nécessaires pour vous conformer aux codes de sécurité locaux et pour surmonter les chutes de tension et les baisses de pression du carburant gazeux.

Vérification de la livraison

Éviter de laisser tomber, de cogner ou d'entrer en collision avec le carton d'emballage.

Après avoir ouvert le carton, examinez avec soin le contenu à la recherche de dommages potentiels subis durant l'expédition.

Au moment de la livraison, si des dommages ou des pièces manquantes sont remarqués, demander au livreur de noter tous ces dommages ou ces pièces manquantes sur la facture de transport et d'apposer sa signature dans l'espace réservé à cette fin. Après la livraison, si des pièces manquantes ou des dommages sont constatés, mettre les pièces endommagées de côté et communiquer avec le transporteur pour connaître les procédures de réclamation. Les pièces manquantes ou endommagées ne sont pas garanties.

Contenu de l'envoi

La génératrice est livrée avec les éléments suivants :

- Huile (5W30 synthétique)
- Tuyau flexible pour le carburant
- Manuel d'utilisation express
- Livret de garantie du produit et des contrôles d'émissions
- 2 clés d'accès
- Fusible de 15 A ATO
- Sangle de batterie
- Bouchon inviolable
- 2 vis 1/4-20 (pour les zones où les vents peuvent atteindre 140 à 175 mi/h).
- 4 bouchons de trous de levage
- Peinture de retouche

Non compris (articles nécessaires) :

- Détecteur(s) de monoxyde de carbone


- Détecteur(s) de fumée)
- Batterie de démarrage
- Conduit et fil de branchement
- Vannes/tuyauterie d'alimentation en carburant
- Grue, sangles de levage, chaînes ou câbles
- Deux longueurs de 60 po (152 cm) de tuyau d'acier de calibre 40 de 3/4 po (1,9 cm) minimum (PAS le conduit)
- Tournevis dynamométrique, plage de 5 à 50 pouces-livres
- Multimètre

Not for
Reproduction

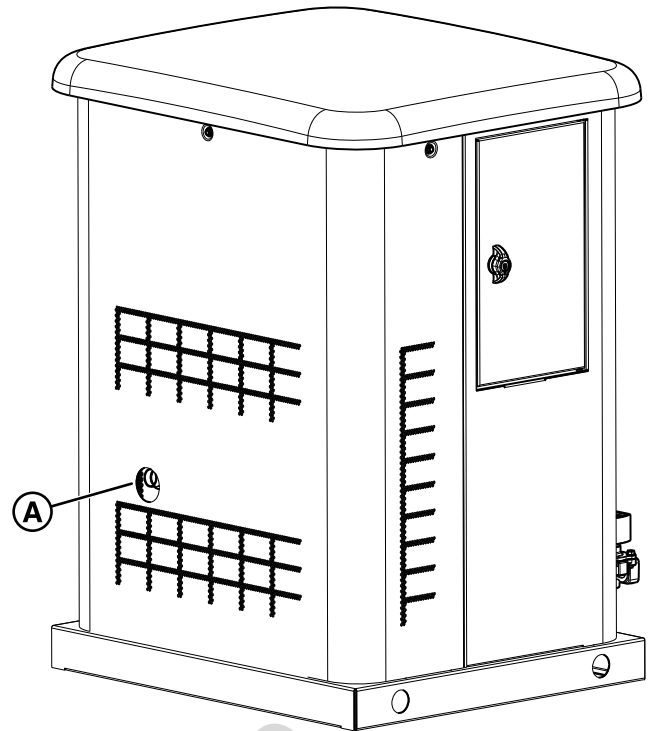
Positionnement de la génératrice

Avant d'installer la génératrice, consultez le propriétaire et faites-lui part des exigences suivantes, lesquelles doivent être satisfaites avant de terminer l'installation. Il y a deux préoccupations d'importance égale en matière de sécurité relativement à l'empoisonnement et aux incendies causés par le monoxyde de carbone. Il existe également plusieurs consignes en matière d'emplacement qui doivent être respectées avant d'avoir achevé l'installation.

AVERTISSEMENT

 Les gaz d'échappement du moteur contiennent du monoxyde de carbone, un gaz toxique pouvant provoquer la mort en quelques minutes. Il est inodore, invisible et sans saveur. Même si vous ne sentez pas de vapeurs d'échappement, vous pourriez quand même être exposé(e) au gaz de monoxyde de carbone.

- Faire fonctionner la génératrice **UNIQUEMENT** à l'extérieur, dans un endroit où les gaz d'échappement mortels ne s'accumuleront pas.
- Diriger les gaz d'échappement des fenêtres, des portes, des prises d'aération, des orifices de ventilation dans l'avant-toit, des vides sanitaires, des portes de garage ouvertes ou de toute autre ouverture par lesquels les gaz d'échappement pourraient pénétrer à l'intérieur ou être aspirés dans les espaces d'un édifice qui pourraient être occupés.
- Des détecteurs de monoxyde de carbone **DOIVENT** être installés à l'intérieur et entretenus conformément aux directives et recommandations du fabricant. Les détecteurs de fumée ne détectent pas le monoxyde de carbone.
- Si vous commencez à vous sentir mal ou faible ou que votre alarme de monoxyde de carbone sonne pendant que vous utilisez ce produit, sortir au grand air immédiatement. Appeler les services d'urgence. Vous pourriez être intoxiqué(e) par le monoxyde de carbone.



(A) Côté orifice d'échappement de l'enceinte.

Facteurs à considérer pour l'emplacement de la génératrice

L'emplacement de la génératrice a un effet direct sur :

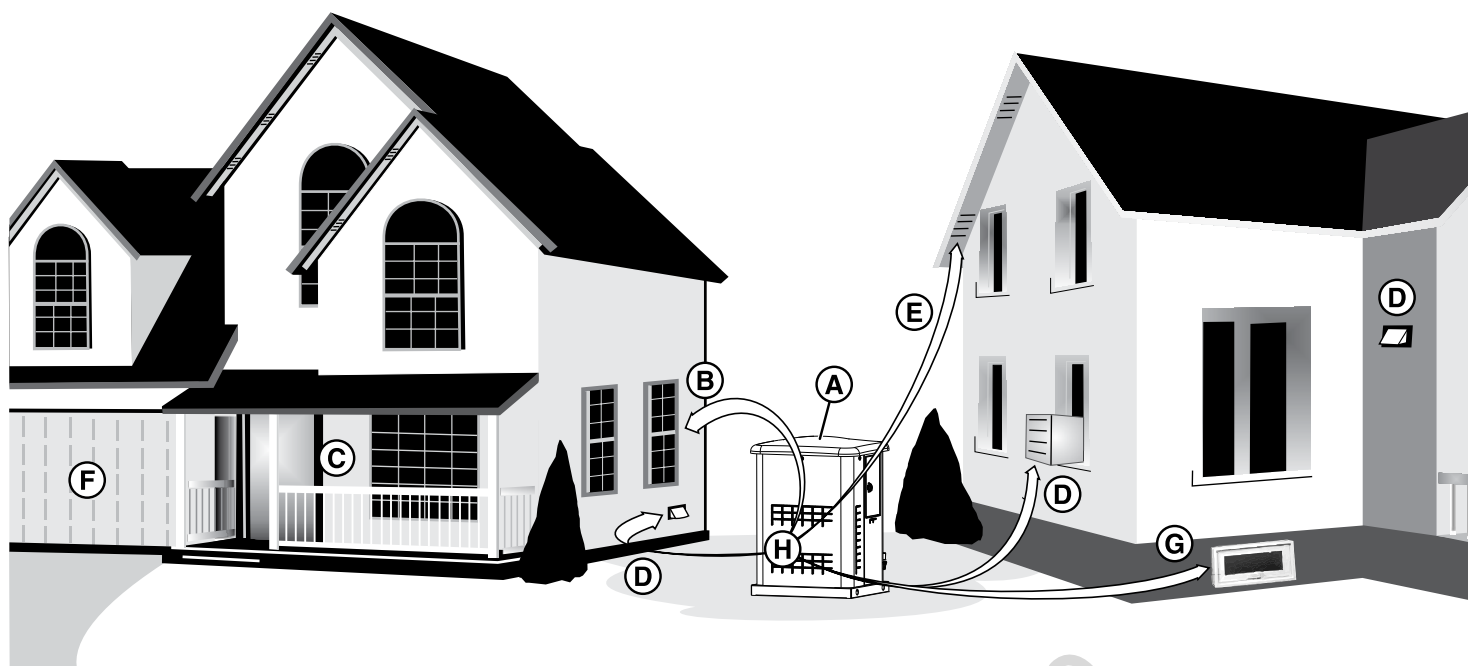
1. La quantité et le calibre de la tuyauterie nécessaires pour l'alimentation en carburant de la génératrice.
2. La quantité et le calibre de câblage nécessaires pour commander et brancher la génératrice.
3. La sécurité de l'installation concernant les dangers liés au gaz d'échappement et au monoxyde de carbone, les risques d'incendie, la proximité des autres services et l'exposition aux éléments météorologiques.

Des lignes directrices spécifiques sur l'emplacement sont présentées dans la section suivante. Le propriétaire et l'installateur doivent se consulter pour déterminer la manière dont le site peut influencer les coûts d'installation et la conformité aux codes locaux et aux normes.

Il existe deux préoccupations de sécurité importantes; l'empoisonnement par monoxyde de carbone et le risque d'incendie, comme suit :

Réduire le risque d'empoisonnement par monoxyde de carbone

Les indications composées de flèches et de lettres dans la figure ci-dessous illustrent des points d'entrée potentiels de monoxyde de carbone.



Tout équipement fonctionnant au moyen de combustibles fossiles, comme les génératrices de secours (A), émet du monoxyde de carbone (CO) dans ses gaz d'échappement. Ce gaz est inodore, incolore et sans saveur, et est susceptible de vous enlever la vie avant que vous ne le détectiez. Le monoxyde de carbone peut tuer. Par conséquent, il est impératif d'observer les directives suivantes lors de l'installation.

- Installer la génératrice (A) à l'extérieur, dans un endroit où les gaz d'échappement mortels (H) ne s'accumuleront pas.
- NE PAS installer la génératrice (A) dans un endroit où les gaz d'échappement (H) peuvent s'accumuler et pénétrer dans un édifice ou une structure pouvant être occupé ou y être aspirés.
- Dans de nombreux États, la loi exige qu'un détecteur de monoxyde de carbone (CO) fonctionnel soit installé dans votre maison. Des détecteurs de monoxyde de carbone DOIVENT être installés et entretenus à l'intérieur conformément aux instructions et aux recommandations du fabricant. Un détecteur de CO est un appareil électronique qui détecte les taux dangereux de ce gaz. En présence d'une accumulation de CO, le détecteur avertit les occupants par une alarme et par le clignotement d'un voyant. Les détecteurs de fumée ne détectent pas le monoxyde de carbone.
- La maison du voisin peut aussi être exposée aux gaz d'échappement (H) de la génératrice de secours (A) et cela doit être pris en compte lors de l'installation.
- Veiller à ce que les gaz d'échappement (H) ne soient pas dirigés vers les endroits suivants :

(B) Fenêtres

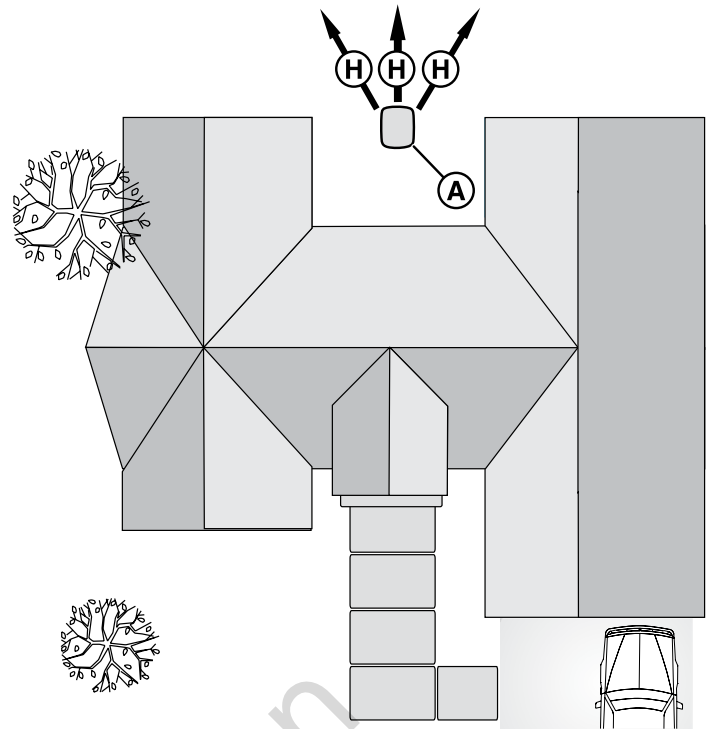
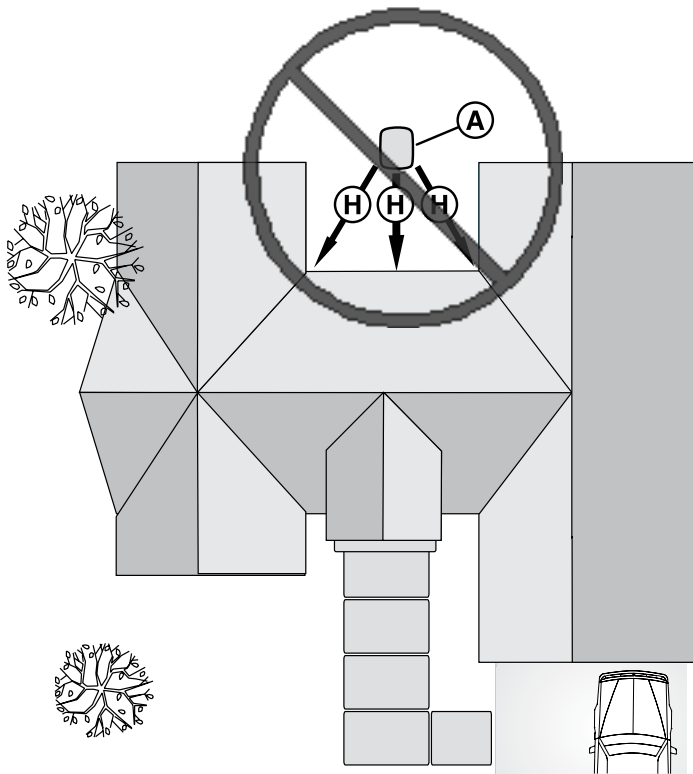
(C) Portes

(D) Prises d'aération

(E) Orifices de ventilation de l'avant-toit

(F) Portes de garage

(G) Vides sanitaires ou autres ouvertures par lesquels les gaz d'échappement peuvent pénétrer ou être aspirés dans un édifice ou une structure potentiellement occupés.




- Les structures avoisinantes peuvent être exposées aux gaz d'échappement (H) de la génératrice de secours (A) et elles doivent être prises en compte lors de l'installation.
- Tenir aussi compte des vents dominants et des courants d'air au moment de choisir l'endroit où de l'installation de la génératrice (A). Installer la génératrice dans un endroit où les vents transporteront les gaz d'échappement loin des immeubles ou structures qui pourraient être occupés.
- NE PAS placer la génératrice de secours (A) dans un endroit où des feuilles ou des débris peuvent s'accumuler.

Réduire le risque d'incendie

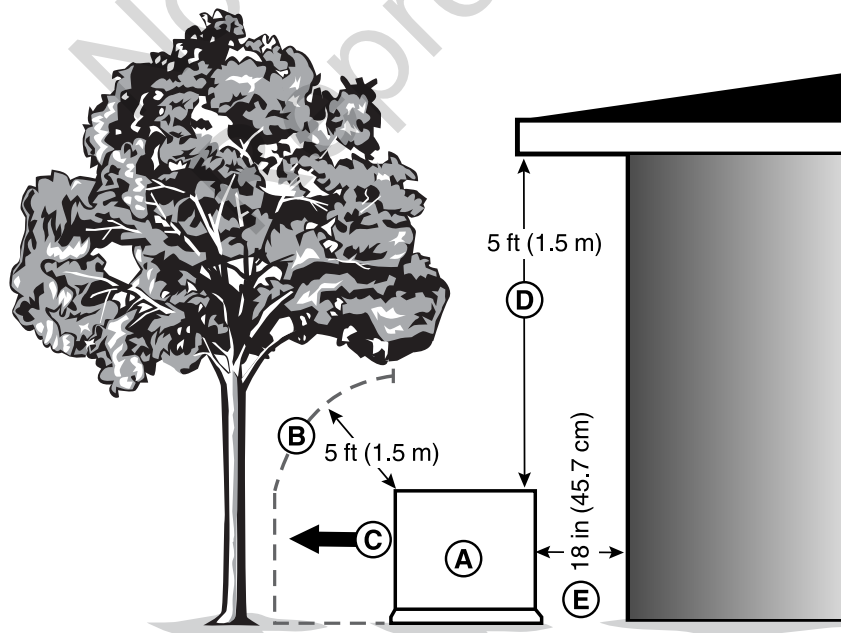
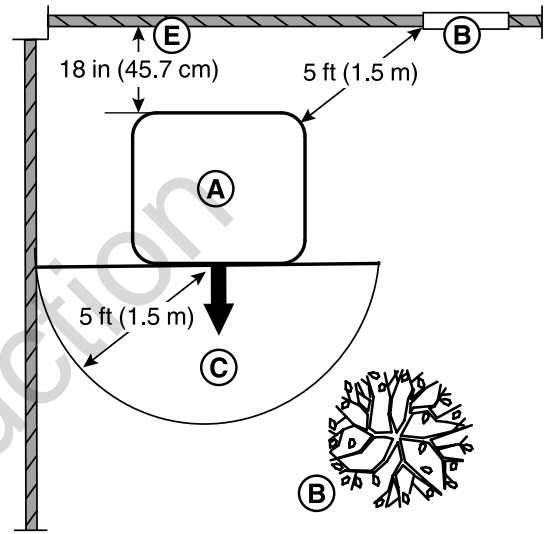
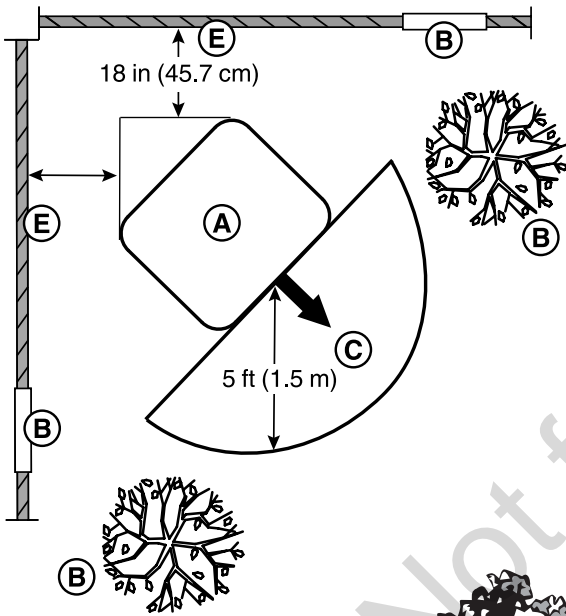
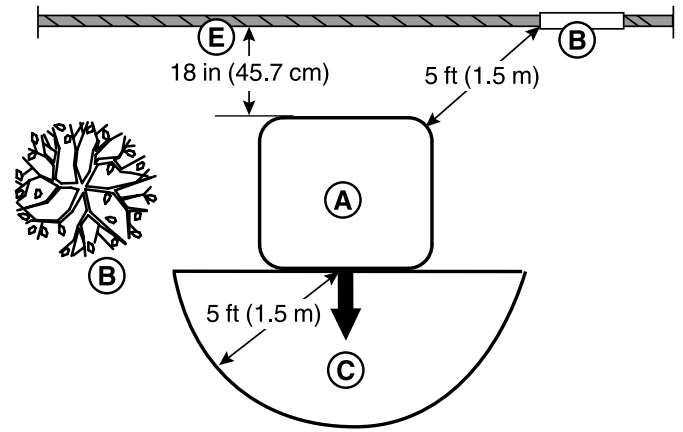
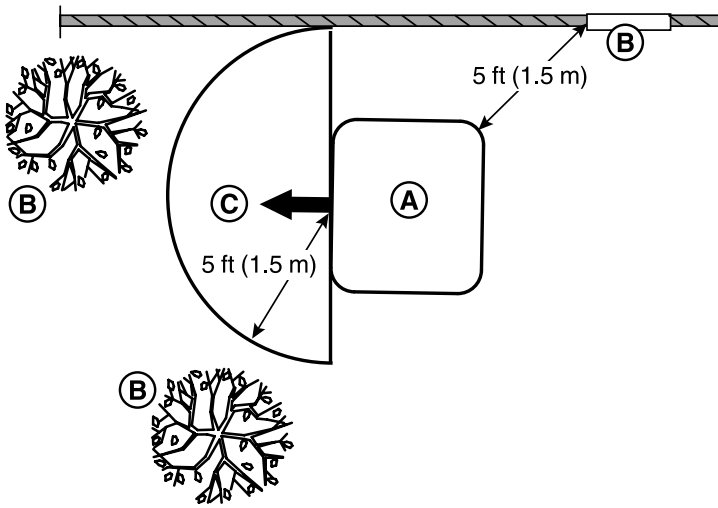
Respecter les exigences d'installation énumérées ci-dessous. Les figures ci-dessous illustrent les distances minimales entre les structures et la végétation afin de réduire le risque d'incendie.

La norme NFPA 37 de la National Fire Protection Association (NFPA) des États-Unis fixe des critères pour minimiser le risque d'incendie pendant l'installation et l'utilisation des moteurs à combustion stationnaires. La norme NFPA 37 établit des limites d'espacement entre une génératrice sous enceinte et les ouvertures aménagées dans les murs, les structures et les matériaux combustibles situés à l'extérieur de l'enceinte. Les exigences d'installation suivantes sont basées sur la norme NFPA 37.

AVERTISSEMENT

 La chaleur et les gaz d'échappement peuvent enflammer des matériaux combustibles ou les structures et provoquer des blessures graves, voire la mort.

- Il faut respecter un dégagement d'au moins 5 pi (1,5 m) entre la sortie d'échappement de l'enceinte et les structures, les arbustes, les arbres ou tout type de végétation.
- Il faut respecter un dégagement d'au moins 5 pi (1,5 m) entre l'enceinte de la génératrice et toute fenêtre, porte, ouverture aménagée dans un mur, arbuste ou végétation dépassant les 12 po (30,5 cm) de hauteur.
- Il faut respecter un dégagement vertical d'au moins 5 pi (1,5 m) entre l'enceinte et les structures, surplombs ou arbres.
- NE PAS placer l'enceinte de la génératrice auxiliaire sous une terrasse ou sous tout type de structure pouvant limiter la circulation de l'air.
- Les détecteurs de fumée DOIVENT être installés et entretenus à l'intérieur conformément aux directives du fabricant. Les détecteurs de monoxyde de carbone ne détectent pas la fumée.
- Ne pas placer l'enceinte d'une manière autre que ce qu'indiquent les illustrations.



Légende de positionnements de génératrices pour réduire le risque d'incendie :

(A) Génératrice de secours

(B) Le dégagement entre l'enceinte de la génératrice de secours et toute fenêtre, toute porte, toute ouverture aménagée dans un mur, tout arbuste ou toute végétation dépassant 12 po (30,5 cm) de hauteur doit être d'au moins 5 pi (1,5 m).

(C) Le dégagement entre la sortie d'échappement de l'enceinte de la génératrice de secours et les structures, les arbustes, les arbres ou tout type de végétation doit être d'au moins 5 pi (1,5 m).

(D) Le dégagement vertical entre l'enceinte de la génératrice de secours et les structures, les surplombs ou les arbres doit être d'au moins 5 pi (1,5 m).

(E) Le dégagement entre l'enceinte de la génératrice de secours et de toute structure avec ou sans classement de résistance au feu doit être d'au moins 18 po (45,7 cm).

Autres directives générales concernant l'emplacement

- Placez la génératrice de secours dans un endroit préparé à cet effet qui soit plat et muni d'un drain pour l'écoulement des eaux.
- Installez la génératrice de secours dans un endroit où l'évacuation d'une pompe de puisard, l'écoulement des gouttières et du toit, l'irrigation d'aménagement paysagé ou un système de pulvérisation d'eau n'entraînera pas une inondation de l'appareil, l'arrosage de l'enceinte ou l'entrée d'eau par l'admission d'air ou les ouvertures de sortie.
- Installez la génératrice de secours dans un endroit où les services (incluant les services couverts, enfermés et souterrains), dont le téléphone, l'électricité, l'alimentation en carburant (gaz naturel/vapeur de GPL), l'irrigation et la climatisation, ne seront pas touchés ou obstrués.
- Installer la génératrice de secours de façon à ce que ses entrées et sorties d'air ne puissent être obstruées par de la neige, des feuilles ou d'autres corps étrangers. Si les vents pourraient souffler ou faire glisser l'appareil, il faut construire une barrière coupe-vent à titre de protection.

Installation

Ce produit est conçu pour être utilisé uniquement en tant que génératrice optionnelle fournissant une source d'électricité de rechange à des fins de système de chauffage, de climatisation et de communication qui, lorsqu'ils sont arrêtés durant une panne d'électricité, peuvent causer de l'inconfort ou d'autres désagréments.

Nous nous sommes efforcés de fournir dans ce manuel des informations exactes et à jour. Toutefois, nous nous réservons le droit de changer, de modifier ou même d'améliorer le produit et ce document à tout moment sans préavis de notre part.

Seuls des électriciens et des plombiers professionnels agréés doivent procéder à l'installation de génératrices. Toute installation doit être conforme à l'ensemble des codes et des normes de l'industrie, ainsi que des lois et règlements applicables.

Soulèvement de la génératrice

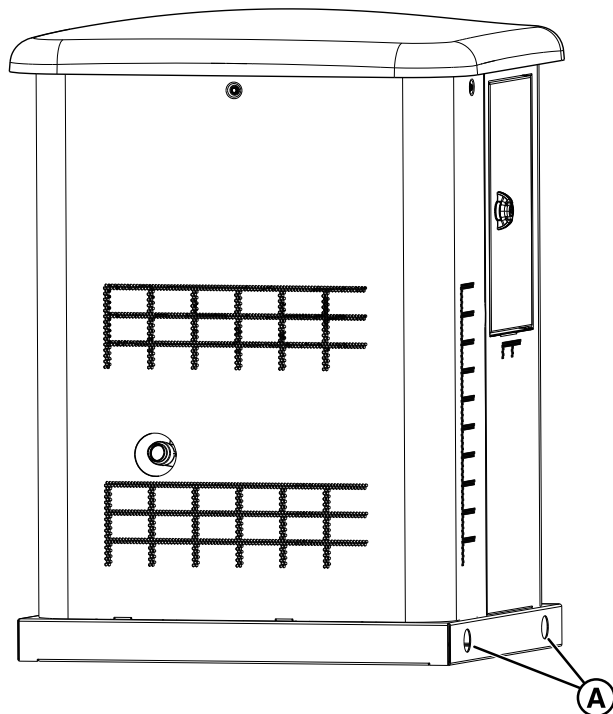


Tension dangereuse – Tout contact avec des lignes électriques peut provoquer une électrocution ou des brûlures pouvant entraîner des blessures graves, voire la mort.

- En cas d'utilisation d'un appareil de levage, faire attention à NE PAS toucher aux lignes d'électricité.
- NE PAS soulever ni déplacer la génératrice sans aide.

Les outils et l'équipement appropriés doivent être utilisés et recourir à un personnel qualifié pour chacune des phases de manipulation et de déplacement de la génératrice. Le poids approximatif de la génératrice est indiqué dans la section *Spécifications de la génératrice*.

Utiliser les trous de lavage (A) à la base de la génératrice pour la soulever sur la dalle de béton. Lever la génératrice conformément aux règlements locaux de levage ou à l'OSHA.



Trousse pour temps froids

Une trousse pour temps froid est **FORTEMENT RECOMMANDÉE** si la génératrice fonctionne à une température inférieure à 30 °F (-1 °C).

La trousse pour temps froids, numéro de pièce 6578 (modèles Fortress) comprend ce qui suit :

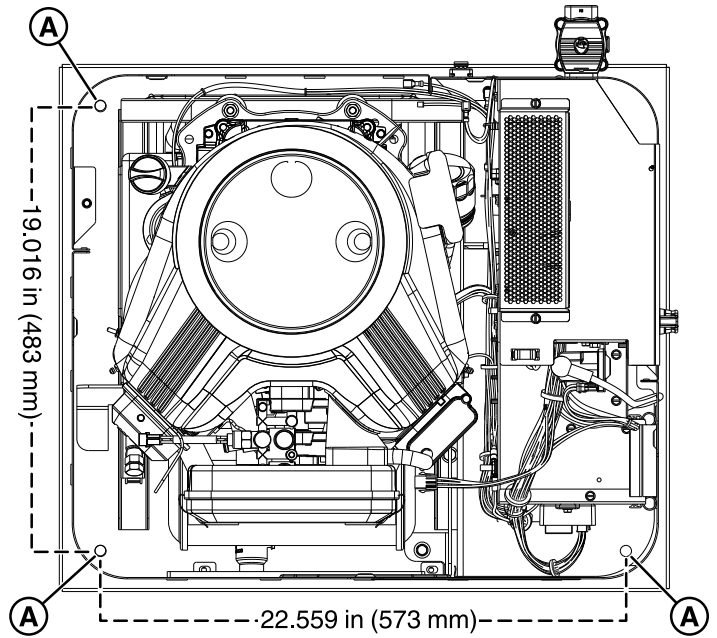
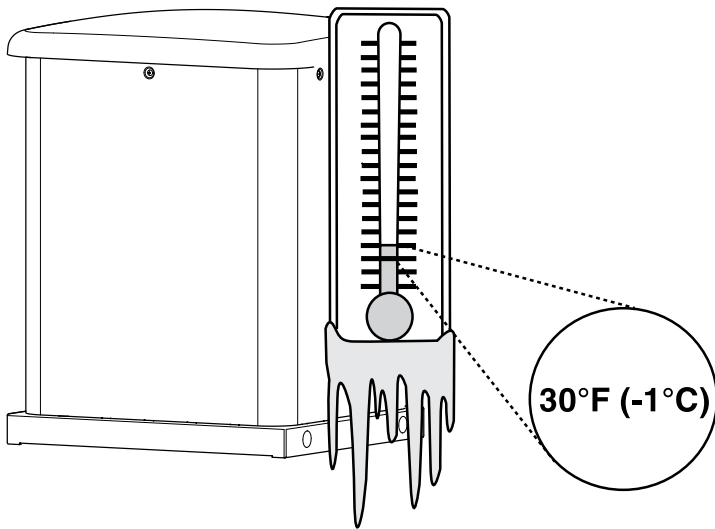
- Chauffe-batterie
- Support de batterie

La trousse pour temps froids, numéro de pièce 6567 (modèles Briggs & Stratton), comprend ce qui suit :

- Réchauffeur d'huile
- Chauffe-batterie
- Support de batterie
- Faisceau de fils

Ces articles sont offerts auprès de votre détaillant.

Pour en savoir plus, veuillez composer le **800-732-2989** de 8 h à 17 h HNC.



Ancrage et indice de vent

Ancrage de l'appareil dans une dalle de béton coulée ou existante

Pour obtenir la capacité de résistance au vent indiquée, la génératrice doit être installée en stricte conformité avec ce manuel d'installation. Les composants du produit doivent être fabriqués à partir du matériau spécifié et toutes les vis doivent être installées conformément aux dispositions applicables et aux instructions d'installation publiées par le fabricant de l'ancrage.

La dalle de béton doit répondre aux exigences indiquées ci-dessous et la génératrice doit être ancrée avec des **ancrages de type 1** ou 2.

Types d'ancrage

- 3 ancrages SS ITW RED HEAD LDT de 3/8 po enfoncés à 2 1/2 po (63,5 mm) dans du béton de 3 000 psi. Minimum de 3 po (76,2 mm) du bord, écartement minimum de 6 po (152,4 mm).
- 3 ancrages SS Powers/Dewalt Power Stud +SD2 de 3/8 po enfoncés à 2 1/2 po (63,5 mm) dans du béton de 3 000 psi. Minimum de 3 po (76,2 mm) du bord, écartement minimum de 6 po (152,4 mm).

La base de la génératrice comporte trois emplacements de trou (A) de 7/16 po pour ancrer l'appareil.

Types de dalle/de socle en béton

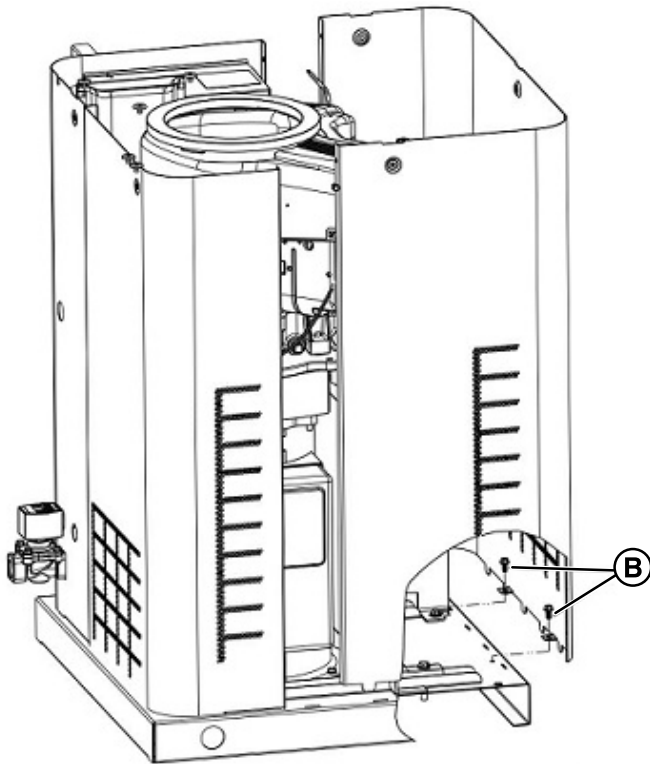
CAPACITÉ DE RÉSISTANCE AU VENT, MPH	MODÈLE DE LA DALLE	DIMENSIONS DE LA DALLE			SPÉCIFICATIONS DU BÉTON
		Largeur	Longueur	Épaisseur	
Jusqu'à 140	Dalle pré-moulée (communiquer avec le détaillant)	29 po (736,6 mm)	32 po (812,8 mm)	3 po (76,2 mm)	3000 PSI
140 à 175	Dalle pré-moulée (communiquer avec le détaillant)	29 po (736,6 mm)	32 po (812,8 mm)	4 po (101,6 mm)	3000 PSI
140 à 175	Coulée	30 po (762 mm)	32 po (812,8 mm)	5 po (127,6 mm)	3000 PSI

Ces articles sont offerts auprès de votre détaillant.

AVIS À moins qu'il ne soit stipulé par les codes locaux ou provinciaux qu'une capacité de résistance aux vents est requise, aucune dalle de béton n'est nécessaire

Fixation de panneaux dans les zones à forts vents

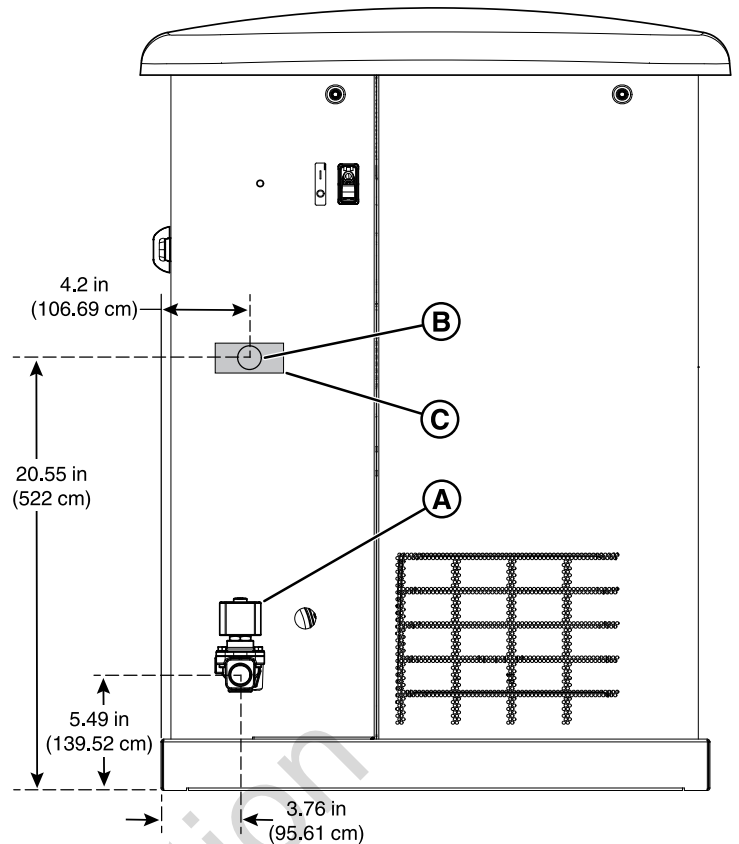
Pour résister aux vents de 140 mi/h et plus, deux (2) vis 1/4-20 (B) incluses doivent être installées au bas du panneau avant.



Emplacements de l'admission du carburant et de l'entrée électrique

L'emplacement du raccord d'admission de carburant (A) NPT de 3/4 pouce et de l'entrée électrique (B) est illustré ci-dessous.

Une entrée défonçable de 1/2 po est fournie pour l'entrée électrique. Cette entrée peut être élargie ou complétée pour accommoder une conduite d'une grosseur maximale de 1 1/2 po. S'assurer que la ou les conduites installées pénètrent dans l'appareil dans la zone (C) illustrée dans le schéma ci-contre de manière à pénétrer adéquatement dans la boîte électrique et à ne pas nuire à l'ouverture de la paroi supérieure ou à tout autre composant de la génératrice.



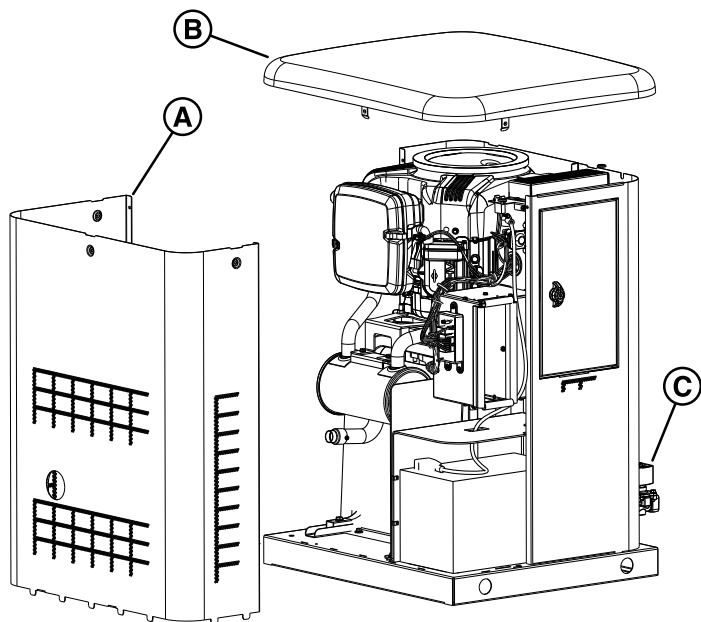
Panneaux d'accès

La génératrice est munie d'un boîtier doté de deux panneaux d'accès, comme le montre l'illustration suivante.

Le panneau avant (A) et la paroi supérieure (B) permettent d'accéder aux points suivants :

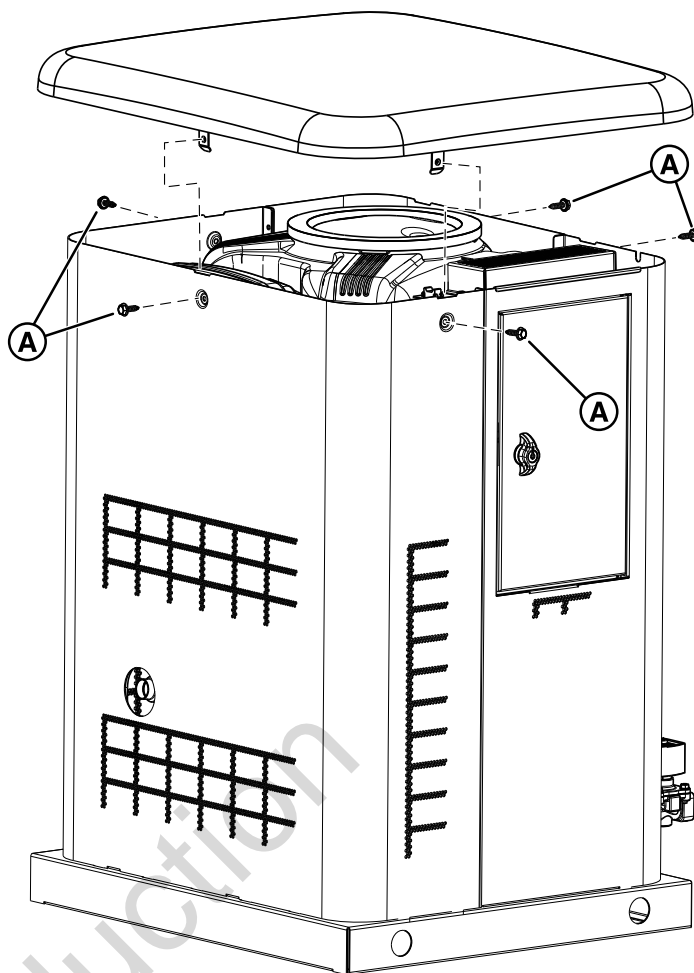
- Compartiment de batterie
- Tuyau de vidange d'huile moteur
- Filtre à huile moteur
- Couvercle de soupape moteur
- Bougies d'allumage

Un jeu de clés identiques fixées au solénoïde de carburant (C) est compris avec chaque génératrice.



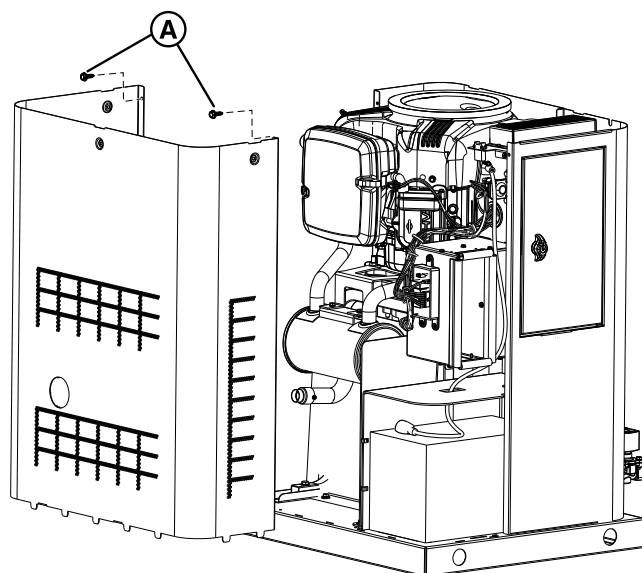
Retrait de la paroi supérieure

1. Retirer les vis (A) qui fixent la paroi supérieure à l'appareil.
2. Soulever avec précaution la paroi supérieure de l'appareil.

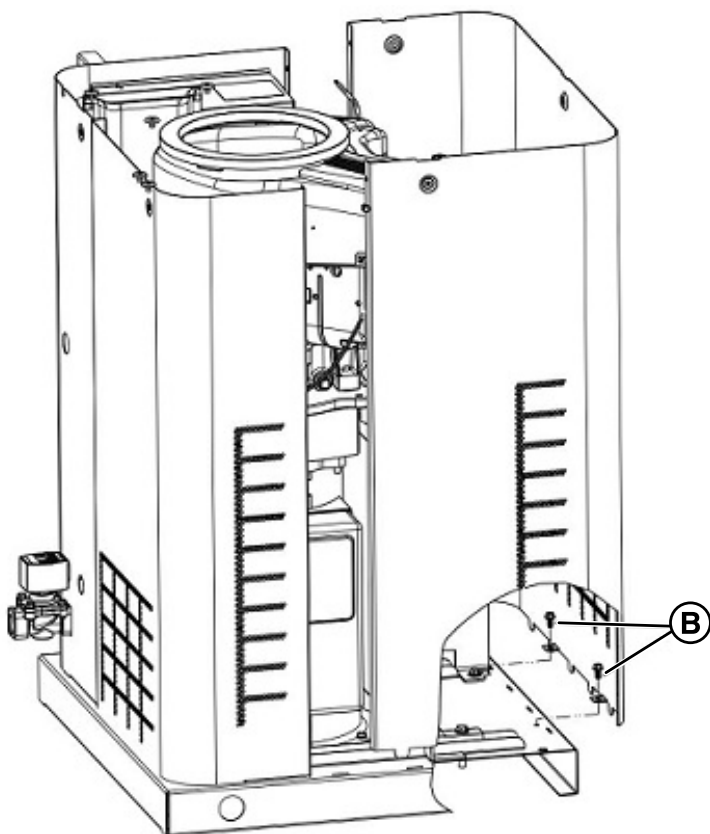


Retrait du panneau avant

1. Enlever les deux vis (A) qui retiennent le panneau à l'appareil.



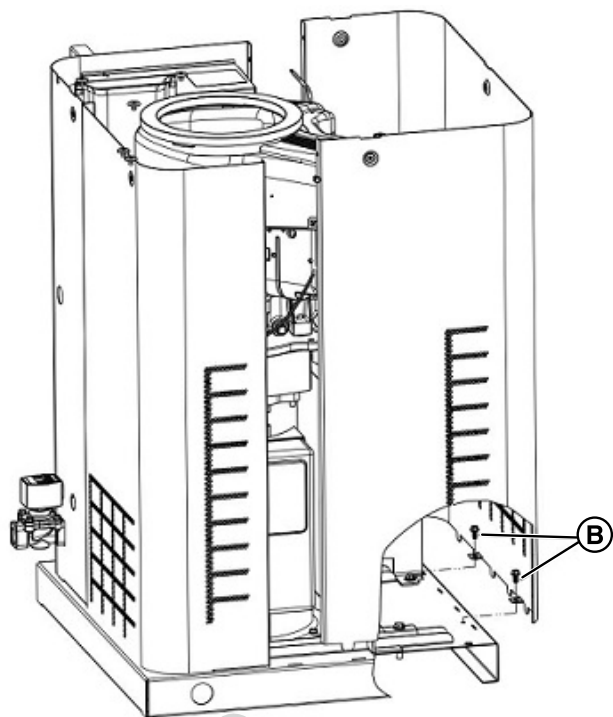
2. Si elles sont installées (dans les régions à grands vents), retirer les deux vis (B) qui fixent le panneau à la base.



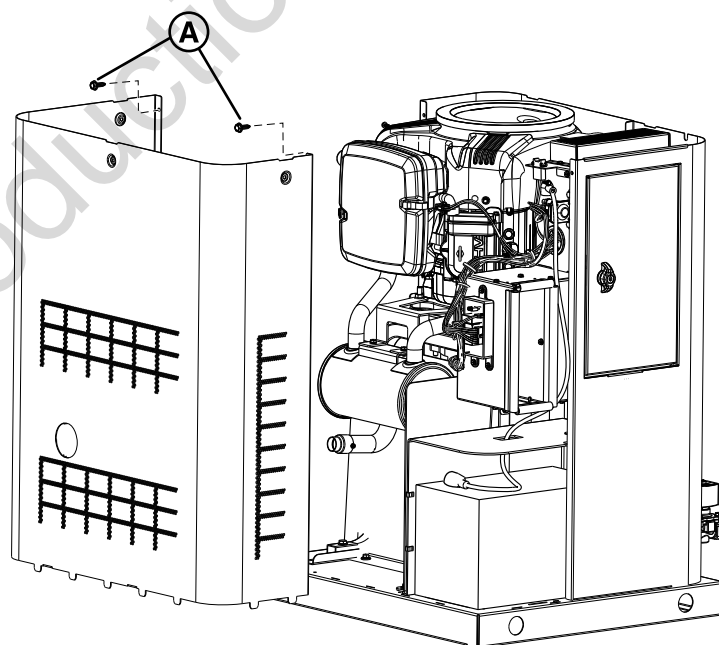
3. Soulever et replier le panneau vers l'extérieur hors de la base. Prendre soin de ne pas endommager le boîtier de batterie.

Installation du panneau avant

1. Soulever et replier le panneau vers l'extérieur sur la base. Prendre soin de ne pas endommager le boîtier de batterie.
2. Pour les appareils résistants aux vents, installez les deux vis au point (B).



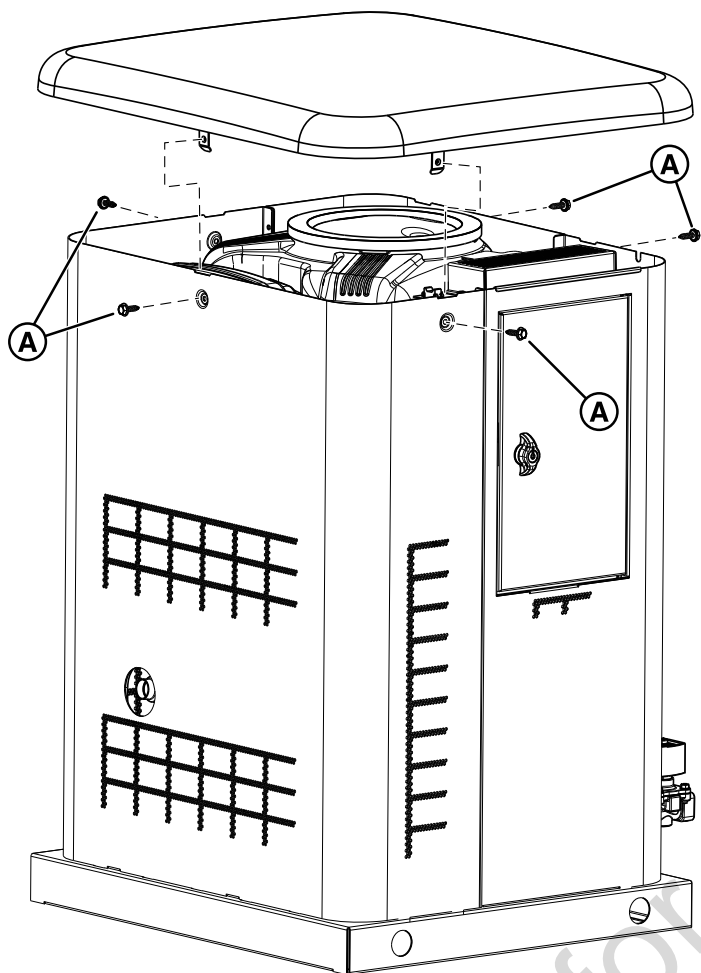
3. Fixez le panneau avec les deux vis à (A).



Installer la paroi supérieure


1. Poser avec précaution la paroi supérieure sur l'appareil.
2. Installer les vis (A) qui fixent la paroi supérieure à l'appareil.

plancher ou une cloison, ni entrer en contact avec eux, ni les traverser.




Les renseignements ci-dessous aideront les techniciens en systèmes de carburant gazeux à concevoir les installations. Ces renseignements ne doivent en aucun cas être interprétés de façon à aller à l'encontre des codes applicables aux combustibles gazeux. Si vous avez des questions ou si vous rencontrez des problèmes, consultez votre fournisseur de carburant ou votre service des incendies.

 **AVERTISSEMENT**

 Le gaz propane et le gaz naturel sont extrêmement inflammables et explosifs et pourraient causer des brûlures, un incendie ou une explosion qui pourraient provoquer des blessures graves, voire la mort.

- Cette génératrice est munie d'un robinet de sécurité pour la fermeture automatique du carburant.
- NE PAS opérer l'équipement si le robinet de fermeture du carburant est manquant ou ne fonctionne pas.


 **AVERTISSEMENT**

 Le gaz propane et le gaz naturel sont extrêmement inflammables et explosifs et pourraient causer des brûlures, un incendie ou une explosion qui pourraient provoquer des blessures graves, voire la mort.

- Le gaz de pétrole liquéfié est plus lourd que l'air et s'accumule près du sol.
- Le gaz naturel est plus léger que l'air et s'accumule en hauteur.
- La plus petite étincelle peut enflammer ces combustibles et causer une explosion.
- NE PAS allumer de cigarette ou fumer.

Plan d'installation pour le carburant

 **AVERTISSEMENT**

 Le gaz propane et le gaz naturel sont extrêmement inflammables et explosifs et pourraient causer des brûlures, un incendie ou une explosion qui pourraient provoquer des blessures graves, voire la mort.

- L'installation doit être effectuée par un technicien professionnel.
- Installer le système d'alimentation de carburant conformément à la norme NPFA 37 et aux codes applicables aux carburants et aux gaz.
- Avant de mettre la génératrice en service, il faut purger adéquatement les lignes d'alimentation de carburant et les tester pour en confirmer l'étanchéité.
- Il ne peut y avoir AUCUNE fuite.
- NE PAS utiliser le moteur en présence d'une odeur de carburant.

AVIS Le tuyau flexible fourni pour le carburant ne doit pas être installé sous terre ou être en contact avec le sol.

- Toute la longueur du tuyau flexible fourni pour le carburant doit être visible pour permettre une inspection régulière et il ne doit pas être dissimulé dans un mur, un

À L'INSTALLATEUR : Avant d'appliquer ces consignes générales, consulter le ou les propriétaires de la génératrice et soulever toute considération technique qui pourrait influencer sur les plans d'installation.

Les règles générales suivantes s'appliquent à la tuyauterie des systèmes de carburant gazeux :

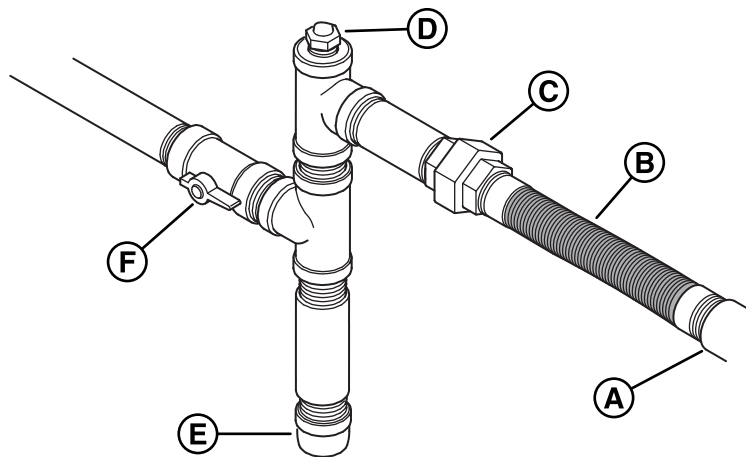
- Le matériau de la tuyauterie doit être conforme aux codes de sécurité fédéraux et locaux et la tuyauterie doit être fixée solidement et protégée contre les vibrations.
- La tuyauterie doit être protégée contre les dommages physiques, en particulier aux endroits où elle traverse des massifs de fleurs ou d'arbustes, ainsi que les autres surfaces cultivées où des dommages sont possibles.
- Installer le tuyau flexible fourni pour le carburant (B) entre l'orifice d'admission de carburant (A) de la génératrice et la tuyauterie rigide afin d'empêcher l'expansion ou

la contraction thermique de générer une contrainte excessive aux matériaux de la tuyauterie.

- Un raccord union (C) ou un raccord à brides doit être installé en aval afin de permettre le retrait.
- Un port de test manomètre (D) doit être installé pour les vapeurs de pétrole liquéfié. Installer un manomètre dans le port pour vérifier si la pression de carburant est adéquate pour permettre le fonctionnement du moteur. Un manomètre numérique (réf. 19495) ou un manomètre analogique pour vapeur de pétrole liquéfié sont offerts à votre centre de service. Lorsque la série initiale d'essais est complétée, le manomètre est enlevé et la sortie bouchée.
- Pour les vapeurs de pétrole liquéfié seulement : La tuyauterie doit être protégée contre le gel dans les régions propices à la formation d'hydrates ou de glace. La terminaison de la tuyauterie rigide doit inclure une trappe à sédiments (E) dans les régions où le condensat ne gèle habituellement pas.
- Au moins un robinet de fermeture manuel approuvé (F) doit être installé sur la ligne d'alimentation en carburant à l'intérieur de 6 pi (180 cm) de la génératrice.
- Un robinet manuel de fermeture du carburant doit être installé à l'intérieur de l'édifice.
- Lorsque les conditions locales impliquent des tremblements de terre, des tornades, un sol instable ou des risques d'inondation, des considérations spéciales doivent être apportées afin d'augmenter la force et la flexibilité des supports et des raccordements de la tuyauterie.
- La tuyauterie doit être de la bonne dimension afin de maintenir les pressions d'alimentation ainsi que le débit volumétrique nécessaires sous les diverses conditions de la génératrice alors que tous les appareils au gaz sont reliés au système d'alimentation et en fonctionnement.
- Pour réduire la possibilité de fuites, utiliser un scellant ou un composé approuvé pour joints de tuyauterie de gaz naturel ((GN) ou de pétrole liquéfié (GPL) sur tous les raccords à filets.

AVIS Empêcher la pâte d'étanchéité de pénétrer dans la tuyauterie du gaz pour éviter d'endommager les composants.

- Conformément aux codes et aux normes applicables, la tuyauterie installée doit être adéquatement purgée et testée au niveau de son étanchéité.



- (A) Admission du carburant de la génératrice
- (B) Tuyau flexible pour le carburant
- (C) Raccord union
- (D) Port de test du manomètre
- (E) Trappe à sédiments
- (F) Robinet manuel de fermeture

Type de carburant

Le type de carburant utilisé par votre génératrice aura une incidence importante sur l'ensemble de l'installation. Le système a été testé en usine et ajusté en utilisant du gaz naturel, mais peut être converti pour utiliser des vapeurs de PL. Pour que le moteur fonctionne correctement, les facteurs inhérents à chacun de ces combustibles, comme votre emplacement et la durée possible des interruptions de courant, doivent être pris en compte relativement aux lignes directrices suivantes sur le carburant :

- Utiliser un carburant propre et sec exempt de toute humidité ou de tout dépôt. L'utilisation de carburant à l'extérieur des plages de valeurs recommandées suivantes peut causer des problèmes de performance.
- Pour les moteurs réglés sur l'utilisation du gaz de pétrole liquéfié (GPL), le propane commercial de classe HD5, ayant une énergie carburant minimum de 2 500 Btu/pi³ à teneur maximum de 5 % de propylène et de butane et de 2,5 % de gaz plus lourds et une teneur minimum en propane de 90 %, convient.

La valeur nominale du gaz naturel dépend du carburant utilisé, mais, généralement, est réduite de 10 % à 20 % de la valeur nominale du gaz de PL.

Les moteurs au gaz naturel ou PL sont certifiés pour un fonctionnement au gaz naturel ou au propane liquide. Le système de contrôle des émissions pour ce moteur est EM (Modifications du moteur).

Pression du carburant

La pression d'alimentation en vapeur de PL et en gaz naturel à l'orifice d'admission de carburant de la génératrice doit se situer entre les niveaux suivants au maximum de sa capacité lorsque tous les appareils au gaz sont sous tension et en fonction.

- GN est à 3,5 à 7 po CE
- PL est à 11 à 14 po CE

S'assurer que les robinets de conduite de gaz sont OUVERTS et qu'une pression de carburant adéquate est disponible lorsqu'un fonctionnement automatique est désiré.

Pour des niveaux de pression de gaz naturel de 3,5 po à 5 po CE, remplacer le régulateur par le jeu de service 6331-00 (offert chez votre détaillant de service).

Perte de puissance

La densité de l'air étant moindre en haute altitude, la puissance du moteur est donc réduite. La puissance du moteur sera réduite de 3,5 % pour chaque 1 000 pi (300 m) au-dessus du niveau de la mer et de 1 % pour chaque tranche de 10 °F (5,6 °C) au-dessus de 77 °F (25 °C). Le commutateur de transfert des génératrices se trouvant dans ces conditions doit être correctement programmé en fonction de cette baisse de puissance. Se reporter au manuel du commutateur de transfert automatique pour savoir comment ajuster la baisse de puissance.

Le système de carburant gazeux

Dimensions du tuyau de carburant

Les normes NFPA 54 et 58 sont des ressources communes. L'installateur doit tenir compte de la densité relative du gaz, compenser la quantité nominale de restriction causée par les courbes et les raccords et consulter les codes locaux et fédéraux.

Conversion de carburant

Le moteur de la génératrice est étalonné en usine et configuré pour fonctionner avec du gaz naturel (GN). Il peut également fonctionner avec du gaz de pétrole liquéfié (GPL).

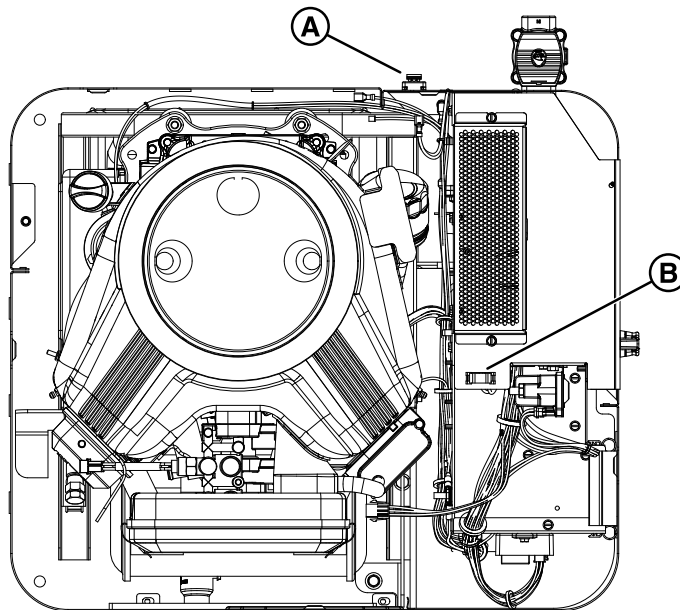
AVIS Réglages initiaux d'usine pour le GN :

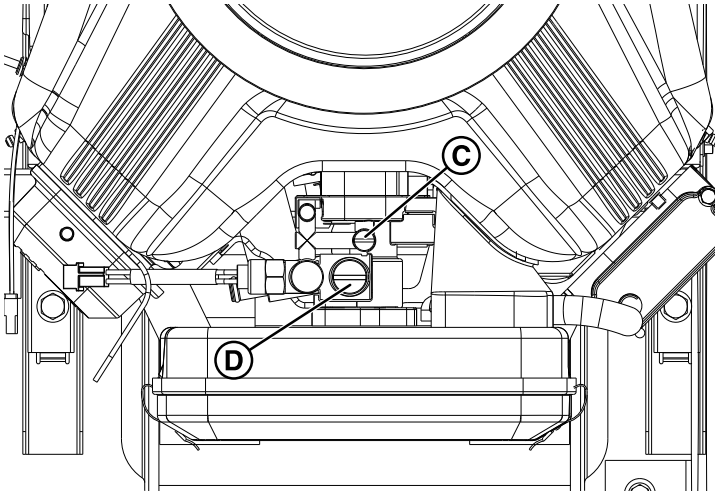
- Vis **C** : 2,5 tours
- Vis **D** : 0,5 tour

Pour configurer les appareils de 12 kW pour utilisation avec du carburant GPL :

1. Pousser l'interrupteur MARCHE/ARRÊT (A) situé sur le côté de la génératrice en position « ARRÊT » (0).
2. Couper l'alimentation électrique de la génératrice pour mettre le chargeur de batterie hors tension.
3. Retirer la paroi supérieure.
4. Retirer le fusible de 15 A (B) du porte-fusible situé en haut du boîtier de commande.
5. Retirer le panneau avant.
6. Débrancher le câble négatif (-) de la batterie.
7. À l'aide d'un tournevis plat, tourner les vis (C et D) dans le sens horaire jusqu'à ce qu'elles soient serrées (trop serrer peut endommager le port du mélangeur).
8. À l'aide d'un tournevis, tourner la vis (C) dans le sens antihoraire de ¼ tours.


9. Laisser la vis (D) reposer.
 10. Brancher le câble négatif (-) à la batterie.
 11. Installer le panneau avant.
 12. Installer le fusible de 15 A (B) dans le porte-fusible situé en haut du boîtier de commande.
 13. Installer la paroi supérieure.
 14. Pousser l'interrupteur MARCHE/ARRÊT (A) sur le côté de la génératrice en position « MARCHE » (I).
 15. Ouvrir la porte d'accès du tableau de commande et vérifier que le tableau est en **Mode Manuel**.
 16. Appuyer sur le bouton CONFIG et le garder enfoncé pour accéder au menu de configuration.
 17. Appuyer sur SÉLECTIONNER pour modifier les éléments du menu de configuration.
 18. Pour configurer le tableau de commande des génératrices pour le carburant PL, accéder au menu de configuration au moyen du mot de passe du détaillant accessible dans Power Portal.
 19. Naviguer jusqu'à « SÉLECTIONNER LE PROFIL » (SELECT PROFILE) et appuyer sur le profil approprié pour la génératrice. Par exemple, « 12KW_LP » pour faire fonctionner un appareil de 12 kW avec du carburant PL.
- AVIS** Sélectionner un profil inapproprié pour la génératrice peut faire en sorte qu'elle fonctionne de façon erratique et peut entraîner des dommages.
20. Pour enregistrer le nouveau paramètre de carburant, appuyer sur le bouton ARRÊT/CONFIG et le garder enfoncé jusqu'à ce que « Enregistrement des paramètres... » s'affiche.
 21. Pour en savoir plus sur le fonctionnement du contrôleur de génératrice, se reporter au « Manuel d'instructions de fonctionnement du contrôleur GC1031 GENSET », réf. :80086364.






Connexions des champs électriques

AVERTISSEMENT

 La tension de la génératrice et de l'électricité de service peut causer un choc électrique ou des brûlures qui peuvent entraîner la mort ou de graves blessures.

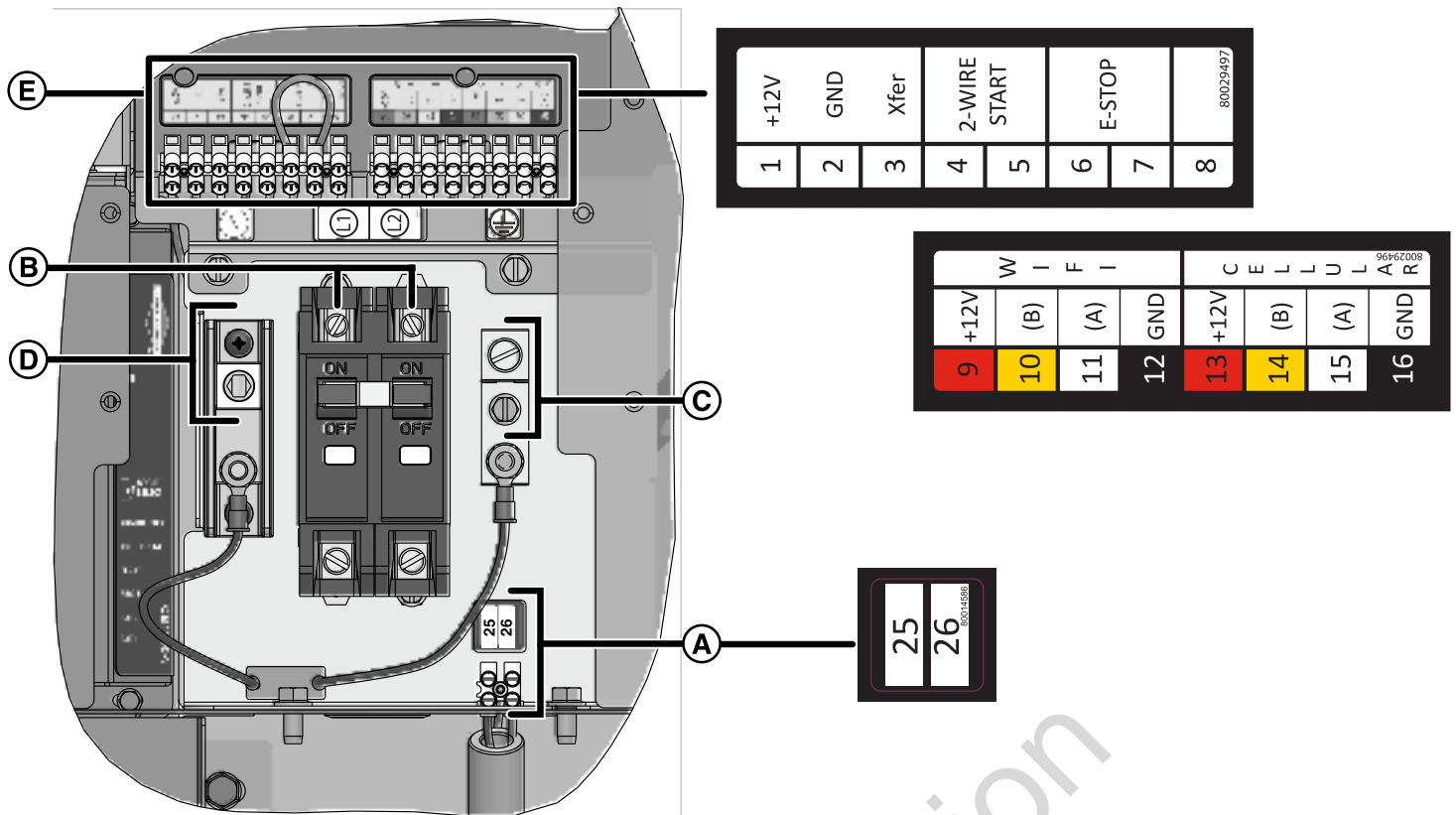
- L'installation doit être effectuée par un technicien professionnel.
- Déconnecter toutes les sources électriques avant d'installer ou d'entretenir l'équipement.
- Mettre le système à la terre avant d'alimenter.

AVERTISSEMENT

 Tension dangereuse – Installer un câble haute et basse tension dans le même conduit peut causer un choc électrique ou des brûlures causant la mort ou des blessures graves.

- Ne fixez pas les fils de basse et de haute tension dans le même conduit, sauf si la valeur nominale de l'isolation de TOUS les fils est de 600 V. Consulter NFPA 70 pour plus de renseignements.

Les connexions à faible tension se font par un bloc de raccordement des connexions sur le terrain (E) dans la zone électrique principale. Comparez cette illustration à votre génératrice afin de vous familiariser avec l'emplacement de ces connexions.



- A • Bornier à deux broches – Utilisé pour brancher le courant de 240 v.c.a. du bloc-fusibles du CTA au tableau de commande. Ne connectez qu'un fil par borne. Utiliser un fil AWG n° 14 (2,5 mm²) d'au moins 300 V.
- B • Raccord d'alimentation (ligne 1 et ligne 2) – Raccord d'alimentation au commutateur de transfert.
- C • Connexion de mise à la terre – Connecter au fil de mise à la terre du commutateur de transfert.
- D • Connexion neutre – Connecter au fil neutre du commutateur de transfert.
- E • Se référer au tableau suivant :

Numéro de goupille	Description	Type de fil	Connecte à	Remarques
1	12 v.c.c.	Conducteurs 18 AWG (1 mm ²), fil en cuivre 300 V, 90 °C minimum.	Commande d'interrupteur de transfert de base J7-8 12 v.c.c.	Signal de transfert d'interrupteur de transfert (fonctionne seulement avec la commande d'interrupteur de transfert de base).
2	GND	Conducteurs 18 AWG (1 mm ²), fil en cuivre 300 V, 90 °C minimum.	Mise à la terre de commande d'interrupteur de transfert de base J7-7	
3	Signal de transfert	Conducteurs 18 AWG (1 mm ²), fil en cuivre 300 V, 90 °C minimum.	Commande d'interrupteur de transfert de base J7-4 T/R	
4	Démarrage à deux fils	Conducteurs 18 AWG (1 mm ²), fil en cuivre 300 V, 90 °C minimum.	Voir le manuel de l'interrupteur de transfert pour déterminer si cette fonction est possible.	Contact fermé pour démarrer Genset. (Seulement pour un commutateur de transfert avec lequel cette option est possible)
5	Démarrage à deux fils	Conducteurs 18 AWG (1 mm ²), fil en cuivre 300 V, 90 °C minimum.		
6	Arrêt d'urgence	Conducteurs 18 AWG (1 mm ²), fil en cuivre 300 V, 90 °C minimum.	Interrupteur d'arrêt d'urgence	Contact ouvert pour éteindre Genset

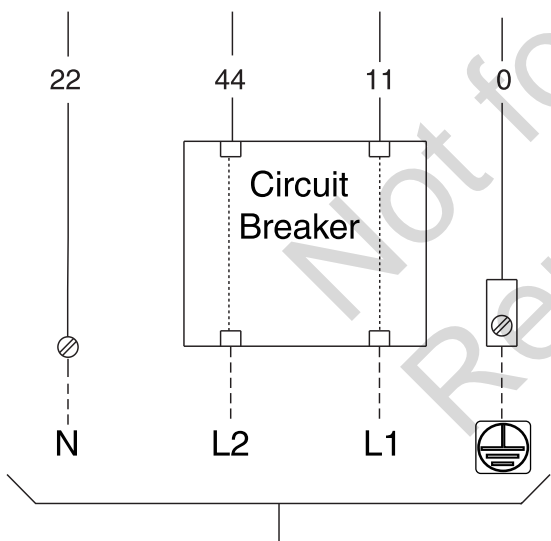
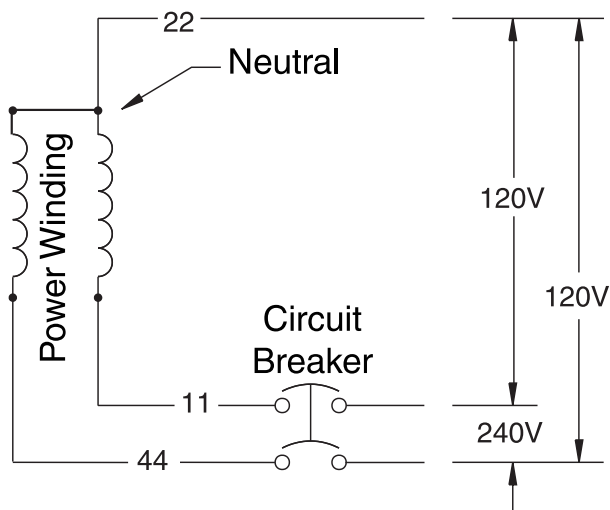
7	Arrêt d'urgence	Conducteurs 18 AWG (1 mm ²), fil en cuivre 300 V, 90 °C minimum.	Interrupteur d'arrêt d'urgence	
8	Non utilisé			
9	12 v.c.c.	Conducteurs 18 AWG (1 mm ²), fil en cuivre 300 V, 90 °C minimum.	Voir le manuel de la passerelle Amplify.	Communication avec le module Wi-Fi
10	(B)	Conducteurs 18 AWG (1 mm ²), fil en cuivre 300 V, 90 °C minimum.		
11	(A)	Conducteurs 18 AWG (1 mm ²), fil en cuivre 300 V, 90 °C minimum.		
12	GND	Conducteurs 18 AWG (1 mm ²), fil en cuivre 300 V, 90 °C minimum.		
13	12 v.c.c.	Conducteurs 18 AWG (1 mm ²), fil en cuivre 300 V, 90 °C minimum.	Voir le manuel InfoHub™ Premium.	Communication avec le module cellulaire
14	(B)	Conducteurs 18 AWG (1 mm ²), fil en cuivre 300 V, 90 °C minimum.		
15	(A)	Conducteurs 18 AWG (1 mm ²), fil en cuivre 300 V, 90 °C minimum.		
16	GND	Conducteurs 18 AWG (1 mm ²), fil en cuivre 300 V, 90 °C minimum.		
25	Service	Fil en cuivre 14 AWG (2,5 mm ²) 300 V, 90°C minimum	Alimentation de service du commutateur de transfert	Détection de tension pour démarrage Genset. Utiliser ce signal ou le signal de démarrage à deux fils comme signal de démarrage Genset.
26	Service	Fil en cuivre 14 AWG (2,5 mm ²) 300 V, 90°C minimum	Alimentation de service du commutateur de transfert	

- Pour le branchement de sortie d'alimentation, (L1, L2, neutre (N) et mise à la terre), voir les codes de l'électricité nationaux et locaux.
- Pour les fils de communication, utiliser des fils conducteurs à paire torsadée AWG n° 18 (1 mm²) d'au plus 500 pi de long et de 300 V.
- Lors du raccordement au bornier, ne fixez qu'un fil à chaque vis de connexion.
- Serrer les vis du bornier à 4,4 lb/po (0,49 newton-mètre).
- Serrer les connexions du disjoncteur à 45 lb/po (5 newton-mètre).
- Raccords du commutateur de transfert. Dans le groupe de bornes (E), les broches 1, 2 et 3 sont connectées à un commutateur de transfert de base Briggs & Stratton® (voir le manuel d'installation du commutateur de transfert).

Système de branchement CA de la génératrice

Un système de branchement C.A. monophasé à trois fils est utilisé pour la génératrice. Se reporter au schéma de câblage qui suit.

AVIS Le neutre n'est pas raccordé à la terre au niveau de la génératrice.




Mise à la masse de la génératrice

Sauf si stipulé par un code local, aucune mise à la terre supplémentaire du châssis de la génératrice n'est nécessaire. Toute mise à la terre à la génératrice doit être faite à l'aide de rondelles de sécurité en métal à perforation (ou l'équivalent) et de bornes homologuées installées selon les instructions du fournisseur et être conforme aux exigences du Code national de l'électricité ainsi qu'aux exigences locales.

Raccords d'alimentation entre la génératrice et le commutateur de transfert

 **AVERTISSEMENT**

 Le fait de ne pas isoler la génératrice du service d'alimentation en électricité peut causer des blessures ou même la mort d'employés du service de distribution électrique à la suite de la rétroaction de l'énergie électrique.

- Utiliser un interrupteur de transfert listé pour connexion au système électrique d'un bâtiment.

Branchement du circuit électrique

Les fils électriques de 240 V doivent être acheminés par le conduit. Les fils électriques de 240 V fournissent l'alimentation à la carte de circuit de la génératrice et au chauffe-batterie et au chauffe-huile facultatifs. Cette alimentation charge également la batterie. En mode AUTO, lorsque l'alimentation de ces fils est coupée, la génératrice démarre. À l'aide d'un fil de calibre AWG 14 (2,5 mm²) d'au moins 300 V fourni par l'installateur, raccorder chaque borne du circuit de commande de la génératrice (25 et 26) au bloc-fusibles du commutateur de transfert automatique.

Branchement électrique de la génératrice

À l'aide des fils de calibre 300 V minimum fournis par l'installateur et du tableau situé à la section *Connexions des champs électriques*, connecter Ligne 1, Ligne 2, N (neutre) et la mise à la terre de la génératrice aux connexions Ligne 1, Ligne 2, N et mise à la terre dans le commutateur de transfert.

AVIS Consultez le National Electric Code pour connaître les calculs de raccords électriques et de la taille des fils adéquats.

Considérations pour l'installation finale

Huile à moteur

AVIS Toute tentative de démarrer le moteur sans y avoir préalablement ajouté l'huile recommandée entraînera une défaillance de l'équipement et des codes d'entretien.

- Se reporter à *Entretien* de la section *Fonctionnement* du présent manuel pour en savoir plus au sujet de l'ajout d'huile.
- La garantie sur le moteur et la génératrice sera annulée si des dommages à l'équipement sont entraînés par le non-respect de cette directive.

Ce moteur a été testé en usine et est livré rempli d'huile synthétique (API SJ/CF 5W-30). Cela permet au système de fonctionner dans une plage élargie de températures et de conditions climatiques. Avant de démarrer le moteur, vérifier le niveau d'huile comme décrit dans la section *Entretien* du présent manuel.

L'utilisation d'huile synthétique ne modifie en rien les intervalles de vidange d'huile recommandés dans la section *Fonctionnement* du présent guide.

Une huile entièrement synthétique de viscosité 5W30 (minimum API SJ) est nécessaire lorsque l'équipement est utilisé à moins de 30 °F (-1 °C).

Batterie



AVERTISSEMENT



Lors de l'entreposage et de la recharge, les batteries dégagent du gaz d'hydrogène. La plus petite étincelle pourrait enflammer l'hydrogène et causer une explosion risquant d'entraîner des blessures graves, voire la mort.

- NE PAS jeter la batterie dans un feu. Recycler la batterie.
- NE PAS permettre de flamme nue, d'étincelle, de chaleur, de tison de cigarette au cours et plusieurs minutes après la recharge de la batterie.



AVERTISSEMENT



La tension de la génératrice et de l'électricité de service peut causer un choc électrique ou des brûlures qui peuvent entraîner la mort ou de graves blessures.

- L'installation doit être effectuée par un technicien professionnel.
- Déconnecter toutes les sources électriques avant d'installer ou d'entretenir l'équipement.
- Mettre le système à la terre avant d'alimenter.



AVERTISSEMENT



Le fluide électrolyte de la batterie contient un acide et est extrêmement corrosif. Tout contact avec les composants de la batterie peut causer de graves brûlures chimiques.

- NE PAS tenter d'ouvrir ou de mutiler la batterie
- Porter des lunettes de sécurité ainsi qu'un tablier, des bottes et des gants en caoutchouc.
- Laver immédiatement la peau avec de l'eau pour enlever l'électrolyte.
- Si l'électrolyte entre en contact avec les yeux, laver immédiatement avec de l'eau et obtenir de l'aide médicale.
- Tout électrolyte déversé doit être lessivé avec un agent neutralisant d'acide.

L'installateur doit fournir et installer une batterie de démarrage rechargeable de 12 volt. La batterie de démarrage DOIT être conforme aux spécifications indiquées dans ce tableau.

Spécifications	Standard	Démarrage à froid (moins de 30 °F/-1 °C)
Volts	12 volts CC	12 volts CC
A (minimale)	540 CCA (nombre d'ampères au démarrage)	800 CCA (nombre d'ampères au démarrage)
Fabrication	Plomb-acide humide	Plomb-acide humide
Type de borne	Batterie à cosse supérieure	Batterie à cosse supérieure
Dimensions maximales	BCI 26 ou 51	BCI 24



AVERTISSEMENT

La batterie connectée, la génératrice peut être lancée et démarrer sans avertissement, causant la mort ou des blessures graves.

- Ne pas connecter le câble négatif (-) à la batterie avant que l'installation soit terminée.

Installer la batterie comme décrit dans *Entretien de la batterie* de la section *Entretien* du présent manuel. S'assurer que le câble NÉGATIF est branché en dernier lieu et que l'isolateur de borne rouge POSITIF est solidement installé.

Utiliser la courroie d'attache fournie pour fixer la batterie à l'unité. Chaque extrémité de la courroie devrait être attachée aux languettes existantes dans la base de l'unité.

Tableau de commande du système

AVIS Veuillez consulter le manuel en ligne : « *Instructions d'utilisation du contrôleur GENSET GC1031* » (numéro de pièce 80086364) pour obtenir des détails sur l'installation et le fonctionnement.

Le tableau de commande de la génératrice, situé à l'intérieur du bâti de la génératrice, est illustré ci-dessous. Voici une brève description des commandes utilisées lors de l'installation :

(A) Boutons de navigation Menu/Programmation

(B) Bouton Arrêt/Config

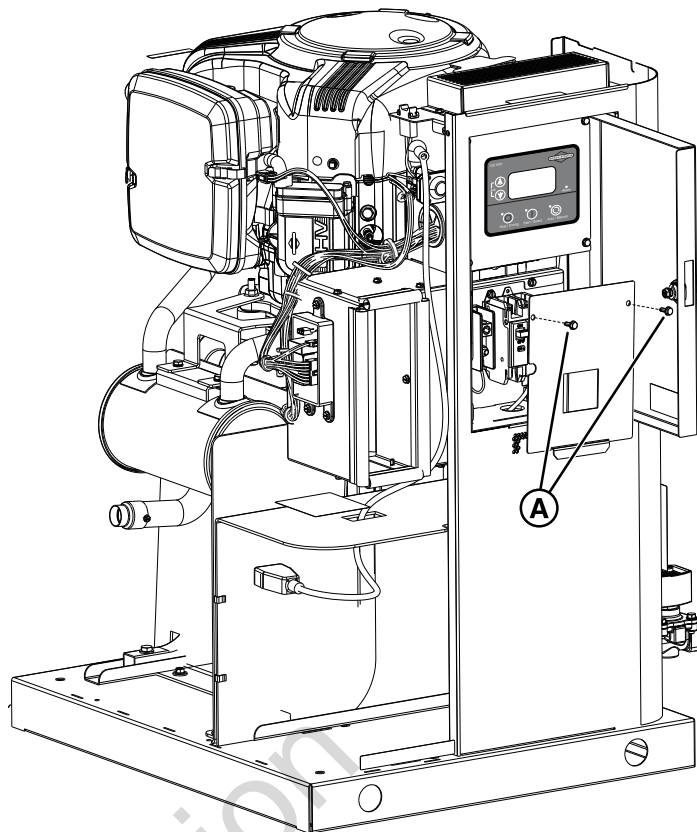
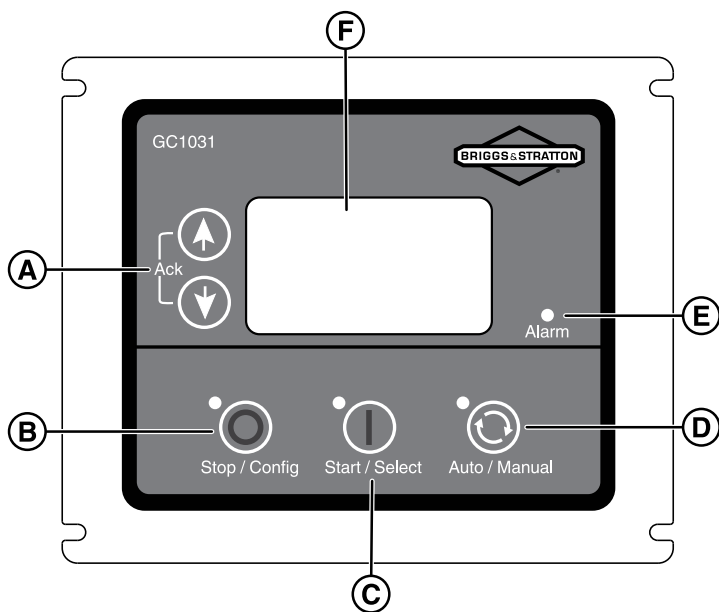
(C) Bouton Démarrer/Sélectionner

(D) Bouton Auto/Manuel

(E) Alarme


(F) Affichage numérique – Affiche le mode de la génératrice, les options du menu et les alarmes.

Les descriptions détaillées des commandes se trouvent dans la section *Description des touches de commande* du manuel en ligne « *Instructions d'utilisation du contrôleur GENSET GC1031* » (numéro de pièce 80086364).



Démarrage initial (sans charge)

AVERTISSEMENT

 Les émissions de chaleur ou de gaz pourraient enflammer les produits combustibles, entraînant la mort ou de graves blessures.

- Enlever toutes les matières combustibles du ou autour du compartiment de la génératrice.

L'appareil a été configuré en usine pour fonctionner au gaz naturel (GN). La conversion de carburant, au besoin, doit être effectuée avant de suivre ces étapes (consulter *Conversion de carburant*). Avant d'utiliser ou de mettre en service la génératrice, vérifier minutieusement l'ensemble de l'installation. Faites ensuite l'essai du système sans aucun branchement de charges électriques, comme indiqué ci-dessous :

1. Retirer les deux vis (A) qui fixent le couvercle du disjoncteur pour y accéder.
2. Brancher un multimètre précis au fil côté secteur du disjoncteur principal de la génératrice.
3. Régler le disjoncteur principal de la génératrice à la position MARCHÉ (fermée).
4. Installez le fusible de 15 A.
5. Pousser l'interrupteur MARCHÉ/ARRÊT situé sur le côté de la génératrice en position MARCHÉ (I).
6. Appuyer sur le bouton DÉMARRER/SÉLECTIONNER (START/SELECT) du tableau de commande. Le moteur démarrera en mode ralenti bas (LIM). Appuyer de nouveau pour faire fonctionner le moteur à plein régime.

AVIS Pour le démarrage initial de la génératrice, tout air contenu dans les canalisations de carburant gazeux doit être purgé. Le moteur pourrait fonctionner grossièrement pendant quelques minutes.

7. Écouter s'il y a des bruits ou des vibrations inhabituels et soyez attentif à tout signe de fonctionnement anormal. Vérifier la présence de fuites d'huile pendant que le moteur fonctionne.
8. Laisser réchauffer le moteur pendant environ cinq minutes afin de permettre à sa température interne de se stabiliser.
9. Vérifier la sortie de la génératrice au côté charge du disjoncteur. La tension doit être de 225 à 250 volts et la fréquence, de 59 à 61 Hz.
10. Vérifiez la sortie de la génératrice entre une cosse de contact de la génératrice et la cosse de contact neutre,

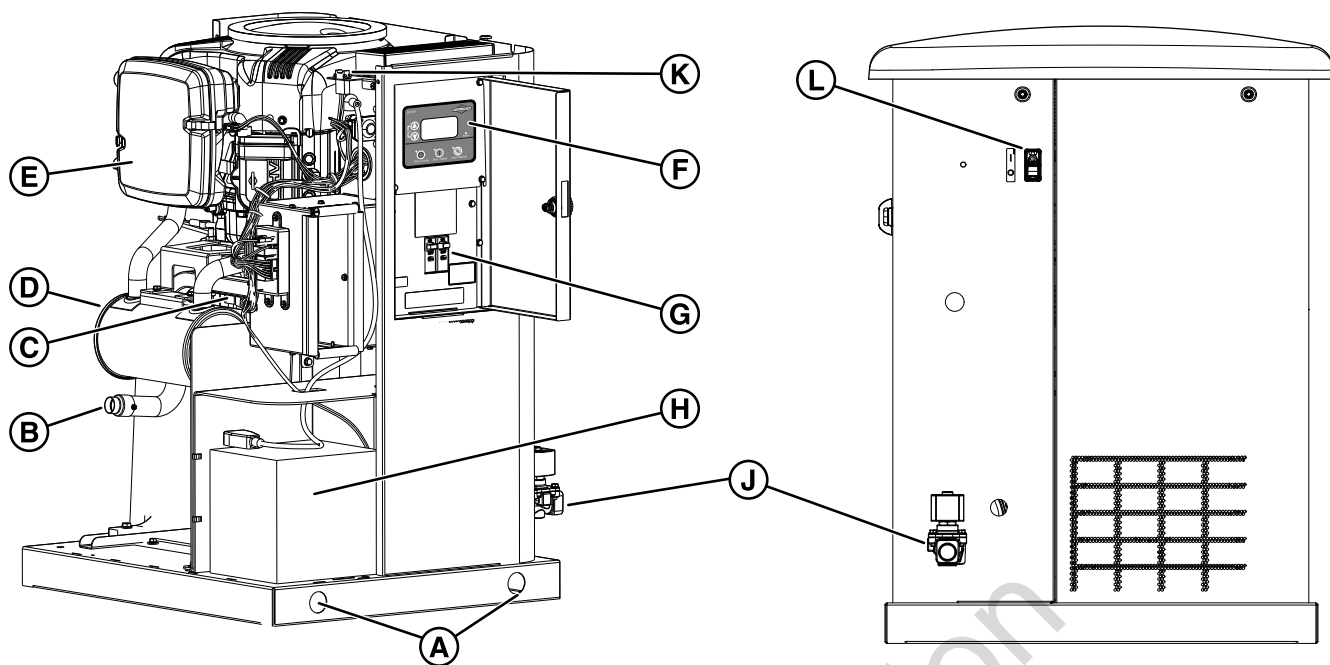
puis entre l'autre cosse de contact et la cosse de contact neutre. Dans les deux cas, la tension devrait se situer entre 112 et 125 volts.

11. Appuyer sur le bouton ARRÊT/CONFIG du tableau de commande. Le moteur passera en mode de refroidissement pendant environ cinq minutes. Appuyer de nouveau sur le bouton pour arrêter le moteur.
12. Installer le couvercle du disjoncteur.
13. Une fois l'essai terminé et réussi, installer le panneau avant et la paroi supérieure.

Not for
Reproduction

Fonctionnement

Caractéristiques et commandes - Génératrices de 12 kW




La génératrice est illustrée avec paroi supérieure et couvercles d'accès enlevés pour une meilleure clarté

- (A) Trous de levage – À chaque coin pour soulever la génératrice.
- (B) Orifice d'échappement – Silencieux haute performance qui réduit le bruit du moteur afin de se conformer à la plupart des codes en milieu résidentiel.
- (C) Alternateur – Un appareil électrique qui produit un courant alternatif.
- (D) Silencieux – Dispositif qui réduit le bruit du moteur.
- (E) Filtre à air – Ce dispositif comporte un élément filtrant sec afin de protéger le moteur en filtrant la poussière et les débris de l'entrée d'air.
- (F) Tableau de commande – Utilisé pour diverses fonctions d'essai, de fonctionnement et d'entretien.
- (G) Disjoncteur – Protège le système contre les courts-circuits et les autres conditions de surintensité.
- (H) Compartiment de batterie – Pour la batterie de 12 volts CC fournie par l'installateur qui fournit l'énergie pour démarrer le moteur.
- (J) Admission du carburant – Raccordez ici l'alimentation appropriée en carburant de la génératrice.
- (K) Fusible – Situé sur le dessus du boîtier de commande.
- (L) Interrupteur MARCHE/ARRÊT – Pour allumer (I) et éteindre (0) la génératrice.


Considérations importantes pour le propriétaire



 Les gaz d'échappement du moteur contiennent du monoxyde de carbone, un gaz toxique pouvant provoquer la mort en quelques minutes. Il est inodore, invisible et sans saveur. Même si vous ne sentez pas de vapeurs d'échappement, vous pourriez quand même être exposé(e) au gaz de monoxyde de carbone.

- Des détecteurs de monoxyde de carbone DOIVENT être installés à l'intérieur et entretenus conformément aux directives et recommandations du fabricant. Les détecteurs de fumée ne détectent pas le monoxyde de carbone.
- Si vous commencez à vous sentir mal ou faible ou que votre alarme de monoxyde de carbone sonne pendant que vous utilisez ce produit, sortir au grand air immédiatement. Appeler les services d'urgence. Vous pourriez être intoxiqué(e) par le monoxyde de carbone.



 Le gaz propane et le gaz naturel sont extrêmement inflammables et explosifs et pourraient causer des brûlures, un incendie ou une explosion qui pourraient provoquer des blessures graves, voire la mort.

- Cette génératrice est munie d'un robinet de sécurité pour la fermeture automatique du carburant.
- NE PAS opérer l'équipement si le robinet de fermeture du carburant est manquant ou ne fonctionne pas.

Huile à moteur

Ce moteur a été testé en usine et est livré rempli d'huile synthétique (API SJ/CF 5W-30). Cela permet au système de fonctionner dans une plage élargie de températures et de conditions climatiques. Avant de démarrer le moteur, vérifier le niveau d'huile comme décrit dans la section *Entretien*.

AVIS Toute tentative de démarrer le moteur avant qu'il ait été adéquatement rempli avec l'huile recommandée entraînera une défaillance de l'équipement.

- La garantie sur le moteur et la génératrice sera annulée si des dommages à l'équipement sont entraînés par le non-respect de cette directive.

Batterie

L'installateur doit fournir une batterie de démarrage rechargeable de 12 volt CC. Consulter Batterie dans la section *Considérations pour l'installation finale* du présent manuel.

Fusible de 15 A

Vérifier que le fusible est convenablement installé avant de faire fonctionner la génératrice.

Séquence de fonctionnement automatique

Le tableau de commande de la génératrice surveille la tension de service. Si la tension de service chute sous un niveau prédéfini, le tableau de commande signalera le lancement et le démarrage du moteur. Lorsque la tension de service est rétablie au niveau de tension prédéfini, le moteur reçoit un signal d'arrêt. Le fonctionnement actuel du système ne peut être modifié, et il est séquencé par des capteurs et des minuteries du tableau de commande de la manière suivante :

Capteur de désexcitation de la tension de l'alimentation de service

- Ce capteur surveille la tension de l'alimentation de service.
- Si la tension baisse sous environ 70 % de la tension d'alimentation nominale, le capteur amorce une minuterie. La minuterie sert à « détecter » les pannes de courant localisées.
- Lorsque le décompte est expiré, le moteur est lancé et démarre.

Capteur de prise en charge de la tension de service

Ce capteur surveille la tension de l'alimentation. Lorsque la tension de service est rétablie à plus d'environ 80 % de la tension nominale source, une minuterie de mise à l'arrêt est déclenchée et le moteur entrera en mode refroidissement.

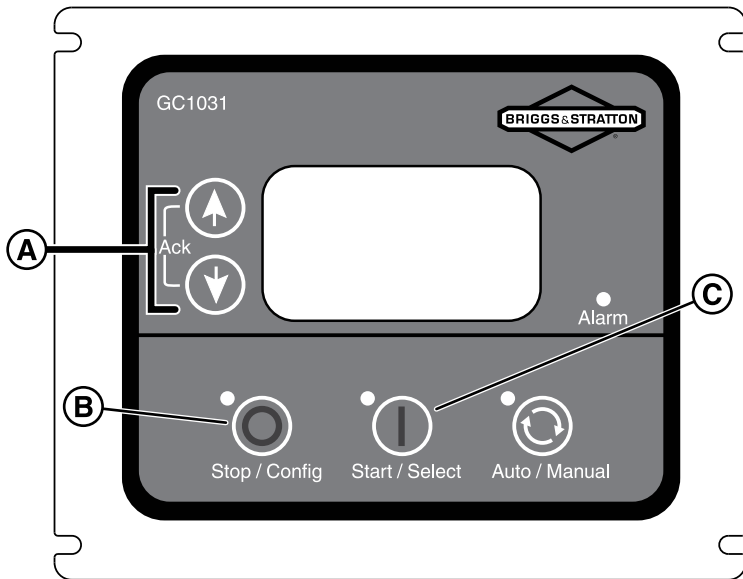
Minuterie de refroidissement du moteur

Lorsqu'une alimentation de service est détectée et que la charge est transférée à la source de service, le moteur entre dans une période de refroidissement de cinq minutes.

Réglage de la minuterie du cycle d'exercice

1. Pousser et maintenir enfoncé le bouton Arrêt/Config (B).
2. Appuyer sur le bouton Démarrer/Sélectionner (Start/Select) (C) pour entrer en MODE ÉCRITURE (WRITE).
3. Entrer le mot de passe (0000) au moyen des touches fléchées (A) et du bouton Démarrer/Sélectionner (Start/Select) (C).
4. Dans l'écran CONFIGURATION, trouver MODULE au moyen des touches fléchées (A).
5. Appuyer sur le bouton Démarrer/Sélectionner (Start/Select) (C) et trouver EXERCICE AUTO (AUTO EXERCISE) au moyen des touches fléchées (A).
6. Appuyer sur le bouton Démarrer/Sélectionner (C) et, à l'aide des touches fléchées (A), sélectionner chaque paramètre et choisir les réglages souhaités.
7. Pour sauvegarder les réglages une fois la configuration terminée, appuyer sur le bouton Arrêt/Config (B) et le

maintenir enfoncé jusqu'à ce que « Enregistrement des paramètres » s'affiche à l'écran.



Une liste détaillée de tous les paramètres à l'écran se trouve dans la section *Configuration du GCU* du manuel en ligne « *Instructions d'utilisation du contrôleur GENSET GC1031* » (numéro de pièce 80086364).

Not for
Reproduction

Entretien

Entretien du système



AVERTISSEMENT



La tension de la génératrice et de l'électricité de service peut causer un choc électrique ou des brûlures qui peuvent entraîner la mort ou de graves blessures.

- NE PAS laisser les personnes non qualifiées utiliser ou effectuer un entretien de l'équipement.



AVERTISSEMENT

La batterie connectée, la génératrice peut être lancée et démarrer sans avertissement, causant la mort ou des blessures graves.

- Avant tout entretien, arrêter la génératrice et débrancher le câble négatif (-) de la batterie.

Avant de procéder à l'entretien de la génératrice, toujours suivre les étapes suivantes.

1. Pousser l'interrupteur MARCHE/ARRÊT situé sur le côté de la génératrice en position « ARRÊT » (0).
2. Couper l'alimentation électrique de la génératrice pour mettre le chargeur de batterie hors tension.
3. Retirer la paroi supérieure.
4. Retirer le fusible de 15 A du porte-fusible situé en haut du boîtier de commande.
5. Retirer le panneau avant.
6. Débrancher le câble négatif (-) de la batterie.
7. Suivre les étapes d'entretien telles que spécifiées.
8. Brancher le câble négatif (-) à la batterie.
9. Installer le panneau avant.
10. Installer le fusible de 15 A dans le porte-fusible situé en haut du boîtier de commande.
11. Installer la paroi supérieure.
12. Rétablir l'alimentation électrique à la génératrice.
13. Pousser l'interrupteur MARCHE/ARRÊT sur le côté de la génératrice en position « MARCHE » (I).
14. Régler le mode de la génératrice à AUTOMATIQUE (AUTO).

Calendrier d'entretien

Suivre les intervalles horaires ou calendrier de fonctionnement, le premier des deux prévalant.

Aux 8 heures de fonctionnement ou chaque jour
Nettoyez les débris
Vérifier le niveau d'huile du moteur
Aux 100 heures de fonctionnement ou tous les ans
Changer le filtre à air
Changer l'huile moteur et le filtre à l'huile

Remplacement des bougies
Vérifier le jeu des soupapes
Vérifier les couples de serrage du disjoncteur
Chaque année
Nettoyer les ailettes de refroidissement d'huile

Un entretien régulier améliorera les performances et prolongera la durée de vie de la génératrice. Consulter un détaillant autorisé au sujet de l'entretien.

Contrôle d'émission

L'entretien, le remplacement ou la réparation des dispositifs et des systèmes de contrôle des émissions peuvent être effectués par un établissement de réparation de moteurs hors route ou par une personne qualifiée. Cependant, pour obtenir un service après-vente « gratuit » du contrôle des émissions, le travail doit être effectué par un détaillant autorisé de l'usine. Consultez la section Garantie concernant le contrôle des émissions.

Entretien de la génératrice

La garantie de la génératrice ne couvre pas les éléments soumis à l'abus ou à la négligence de l'opérateur. Pour que la garantie soit entièrement valide, l'opérateur doit entretenir la génératrice conformément aux instructions contenues dans ce manuel.

Certains ajustements devront être faits périodiquement pour assurer un entretien adéquat de la génératrice.

Toutes les opérations d'entretien et de réglage doivent être effectuées au moins une fois par saison. Suivre les instructions du tableau *Calendrier d'entretien*.

L'entretien de la génératrice consiste à garder l'unité propre. Utiliser l'unité dans un environnement où elle ne sera pas exposée à de la poussière, saleté et humidité excessive ni à des vapeurs corrosives. Les ailettes de refroidissement d'air du boîtier ne doivent pas être obstruées par de la neige, des feuilles ou tout autre corps étranger. Afin de prévenir tout dommage à la génératrice causé par la surchauffe, gardez les entrées et les sorties de refroidissement du boîtier propres et dégagées en tout temps.

Vérifier souvent la propreté de l'appareil et nettoyer ce dernier lorsque de la poussière, des saletés, de l'huile, de l'humidité ou d'autres substances étrangères sont visibles sur sa surface interne/externe. Inspecter les ouvertures d'entrée et de sortie d'air ainsi que l'extérieur du boîtier pour s'assurer que la circulation de l'air n'est pas obstruée.

AVIS Un traitement inadéquat de la génératrice peut l'endommager et réduire sa durée de vie utile.

- N'exposez PAS la génératrice à de l'humidité excessive, à la poussière, aux saletés ou aux vapeurs corrosives.
- NE PAS insérer d'objet dans les fentes de refroidissement.

Nettoyer la génératrice



AVERTISSEMENT



Les émissions de chaleur ou de gaz pourraient enflammer les produits combustibles, entraînant la mort ou de graves blessures.

- Garder la zone autour de la génératrice propre et sans débris.

AVIS NE PAS utiliser le jet direct d'un boyau d'arrosage pour nettoyer la génératrice. L'eau peut entrer dans le moteur et la génératrice et causer des problèmes.

AVIS Inspecter régulièrement la partie externe du moteur au niveau de la contamination et de l'endommagement potentiel causés par la saleté, les feuilles, les rongeurs, les toiles d'araignée, les insectes, etc. et retirer ces matières.

1. Pousser l'interrupteur MARCHE/ARRÊT situé sur le côté de la génératrice en position « ARRÊT » (0).
2. Couper l'alimentation électrique de la génératrice pour mettre le chargeur de batterie hors tension.
3. Retirer la paroi supérieure.
4. Retirer le fusible de 15 A du porte-fusible situé en haut du boîtier de commande.
5. Retirer le panneau avant.
6. Débrancher le câble négatif (-) de la batterie.
7. Nettoyer la génératrice comme suit : Utilisez un linge humide pour nettoyer les surfaces extérieures. Déloger la saleté et les débris à l'aide d'une brosse à poils souples et d'un aspirateur. Souffler la saleté au moyen d'une faible pression d'air (25 psi au maximum). Dégager les entrées et les sorties d'air de toute neige, de feuilles ou de tout débris. Afin de prévenir tout dommage à la génératrice causé par la surchauffe, ces ouvertures doivent rester libres de toute obstruction.
8. Brancher le câble négatif (-) à la batterie.
9. Installer le panneau avant.
10. Installer le fusible de 15 A dans le porte-fusible situé en haut du boîtier de commande.
11. Installer la paroi supérieure.
12. Rétablir l'alimentation électrique à la génératrice.
13. Pousser l'interrupteur MARCHE/ARRÊT sur le côté de la génératrice en position « MARCHE » (I).
14. Régler le mode de la génératrice à AUTOMATIQUE (AUTO).

Entretien du moteur

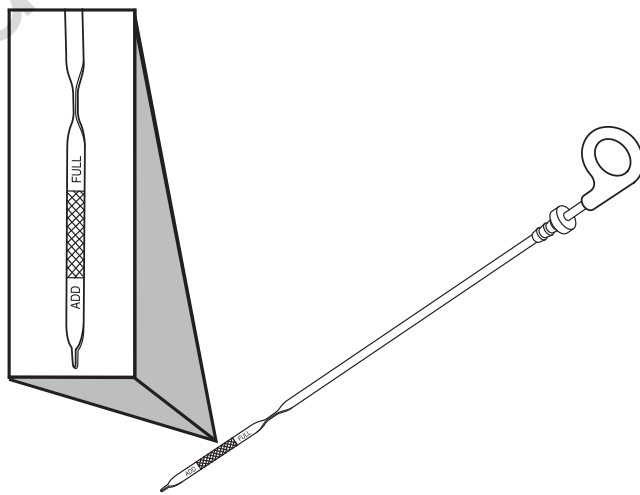
Huile à moteur

Utiliser seulement l'huile à moteur synthétique Briggs & Stratton® 80028446 SAE 5W-30.

Vérifier le niveau d'huile moteur

Le niveau d'huile doit être entre les repères « AJOUTER » (ADD) et « PLEIN » (FULL) sur la jauge. Pour s'assurer que la lecture indiquée sur la jauge est exacte, suivre les étapes suivantes avant de vérifier le niveau d'huile.

1. Pousser l'interrupteur MARCHE/ARRÊT situé sur le côté de la génératrice en position « ARRÊT » (0).
2. Couper l'alimentation électrique de la génératrice pour mettre le chargeur de batterie hors tension.
3. Retirer la paroi supérieure.
4. Retirer le fusible de 15 A du porte-fusible situé en haut du boîtier de commande.
5. Retirer le panneau avant.
6. Débrancher le câble négatif (-) de la batterie.
7. Attendre environ cinq minutes pour que l'huile puisse redescendre dans le bac à huile.
8. Retirer la jauge. Essuyer la jauge avec un linge propre ou un papier essuie-tout. Pousser ensuite la jauge tout au fond du tube.
9. Retirer la jauge et noter la quantité d'huile sur la jauge. Le niveau d'huile doit être entre les repères « AJOUTER » (ADD) et « PLEIN » (FULL).
10. Si le niveau d'huile est en-dessous de l'indicateur « AJOUTER » (ADD), installer la jauge et passer à l'étape 8.



11. Retirer le bouchon de remplissage d'huile du couvercle de soupape.
12. Ajouter la quantité requise pour remonter le niveau jusqu'à, mais sans dépasser la marque « PLEIN » (FULL) sur la jauge. Installer le bouchon de remplissage d'huile sur le couvercle de soupape et essuyer tout excès d'huile.
13. Brancher le câble négatif (-) à la batterie.
14. Installer le panneau avant.

15. Installer le fusible de 15 A dans le porte-fusible situé en haut du boîtier de commande.
16. Installer la paroi supérieure.
17. Rétablir l'alimentation électrique à la génératrice.
18. Pousser l'interrupteur MARCHE/ARRÊT sur le côté de la génératrice en position « MARCHE » (I).
19. Régler le mode de la génératrice à AUTOMATIQUE (AUTO).

Changement d'huile à moteur et de filtre à l'huile

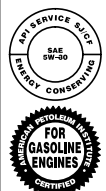
Vidanger l'huile lorsque le moteur est encore chaud.

1. Pousser l'interrupteur MARCHE/ARRÊT situé sur le côté de la génératrice en position « ARRÊT » (0).
2. Couper l'alimentation électrique de la génératrice pour mettre le chargeur de batterie hors tension.
3. Retirer la paroi supérieure.
4. Retirer le fusible de 15 A du porte-fusible situé en haut du boîtier de commande.
5. Retirer le panneau avant.
6. Débrancher le câble négatif (-) de la batterie.
7. Placer le tuyau de vidange d'huile dans un récipient approuvé.
8. Retirer le raccord en laiton de l'extrémité du tuyau de vidange d'huile.
9. Une fois l'huile vidangée, réinstaller le raccord en laiton (retiré à l'étape 7) sur le tuyau.
10. Placer un contenant approuvé sous le filtre à huile.
11. Enlever le filtre à huile et le jeter de façon appropriée.
12. Avant l'installation du nouveau filtre à huile, lubrifier légèrement le joint d'étanchéité du filtre avec de l'huile fraîche et propre.
13. Installer le filtre à huile à la main jusqu'à ce que le joint d'étanchéité touche l'adaptateur de filtre à huile, puis serrer le filtre à huile de 1/2 à 3/4 de tour.
14. Ajouter la quantité requise pour remonter le niveau jusqu'à, mais sans dépasser la marque « PLEIN » (FULL) sur la jauge. Installer le bouchon de remplissage d'huile et essuyer tout excédant d'huile.
15. Brancher le câble négatif (-) à la batterie.
16. Installer le panneau avant.
17. Installer le fusible de 15 A dans le porte-fusible situé en haut du boîtier de commande.
18. Installer la paroi supérieure.
19. Rétablir l'alimentation électrique à la génératrice.
20. Pousser l'interrupteur MARCHE/ARRÊT sur le côté de la génératrice en position « MARCHE » (I).
21. Régler le mode de la génératrice à AUTOMATIQUE (AUTO).

Huile à moteur

Le système est rempli avec de l'huile synthétique (API SJ/CF5W-30). Cela permet au système de fonctionner dans une plage élargie de températures et de conditions climatiques.

Nous recommandons l'utilisation de l'huile moteur entièrement synthétique Briggs & Stratton® 80028446 SAE 5W-30. D'autres huiles détergentes de haute qualité de catégorie SJ ou supérieure sont acceptables. Ne pas utiliser d'additifs spéciaux.

	<p><i>Remarque :</i> L'huile synthétique respectant la marque d'homologation ILSAC GF-2, API et portant le symbole d'entretien API avec la mention « SJ/CF ÉCONOMIE D'ÉNERGIE » ou plus, est une huile acceptable pour toutes les températures. L'utilisation d'huiles synthétiques ne change pas les intervalles de changement d'huile.</p>
---	--

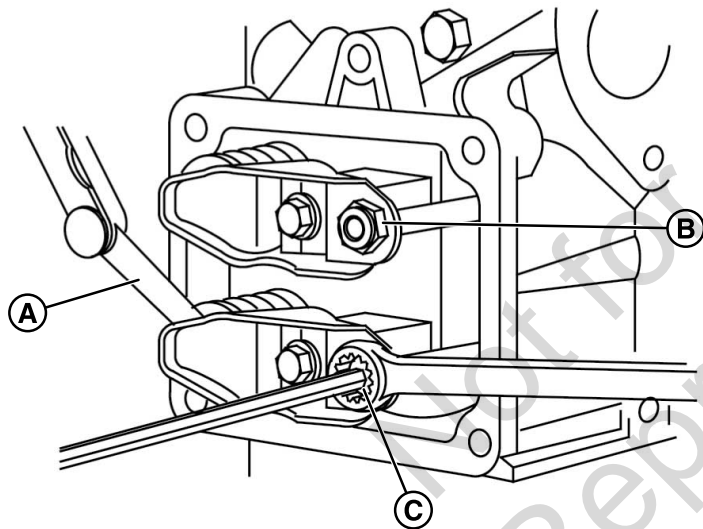
Réglage du jeu des soupapes

Le jeu des soupapes doit être vérifié toutes les 100 heures de fonctionnement. Mesurer le jeu des soupapes lorsque le moteur est froid. Pour régler le jeu des soupapes :

1. Pousser l'interrupteur MARCHE/ARRÊT situé sur le côté de la génératrice en position « ARRÊT » (0).
2. Couper l'alimentation électrique de la génératrice pour mettre le chargeur de batterie hors tension.
3. Retirer la paroi supérieure.
4. Retirer le fusible de 15 A du porte-fusible situé en haut du boîtier de commande.
5. Retirer le panneau avant.
6. Débrancher le câble négatif (-) de la batterie.
7. Retirer les deux attaches du couvercle des soupapes pour accéder aux soupapes.
8. Enlever les bougies d'allumage pour faciliter la rotation manuelle du vilebrequin du moteur.
9. Faites tourner le vilebrequin dans le sens antihoraire jusqu'à ce que le piston soit au point mort haut de la course de compression.
10. Insérer un tournevis étroit ou une tige dans le trou de la bougie en guise de jauge. Tourner ensuite lentement le vilebrequin dans le sens antihoraire jusqu'à ce que le piston descende de 1/4 po (0,635 cm) dans l'alésage.
11. Pour le moteur modèle 38 :
 - À l'aide d'une jauge d'épaisseur (A), mesurez le jeu des soupapes.
 - Régler le dégagement en desserrant le contre-écrou (B), puis tourner la vis de réglage (C) pour obtenir la mesure suivante :
 - Admission : 0,005 po (0,13 mm)
 - Échappement : 0,008 po (0,20 mm).
 - Une fois le jeu adéquatement ajusté, tenir la vis d'ajustement tout en serrant le contre-écrou à 70 po-lb. (8 Nm).

- Se référer au manuel d'entretien du moteur approprié

- Assembler le couvercle de soupape en l'alignant soigneusement avec les trous de fixation. Serrer les fixations du couvercle de soupape à 35 po-lb (3,9 Nm).
- Répéter les étapes pour l'autre soupape.
- Brancher le câble négatif (-) à la batterie.
- Installer le panneau avant.
- Installer le fusible de 15 A dans le porte-fusible situé en haut du boîtier de commande.
- Installer la paroi supérieure.
- Rétablir l'alimentation électrique à la génératrice.
- Pousser l'interrupteur MARCHÉ/ARRÊT sur le côté de la génératrice en position « MARCHÉ » (I).
- Régler le mode de la génératrice à AUTOMATIQUE (AUTO).



Système de régulation électronique

Le système de régulation électronique du moteur permet un meilleur contrôle et un rendement accru de la génératrice par rapport aux systèmes régulés mécaniquement. Le résultat est un fonctionnement sans heurt et régulier sans la « recherche d'équilibre » commune à de nombreux régulateurs mécaniques. Le système réduit également les variations de vitesse du moteur pendant la charge ou la décharge, et réduit considérablement la fluctuation de fréquence présente lorsque le moteur est sous des charges élevées.

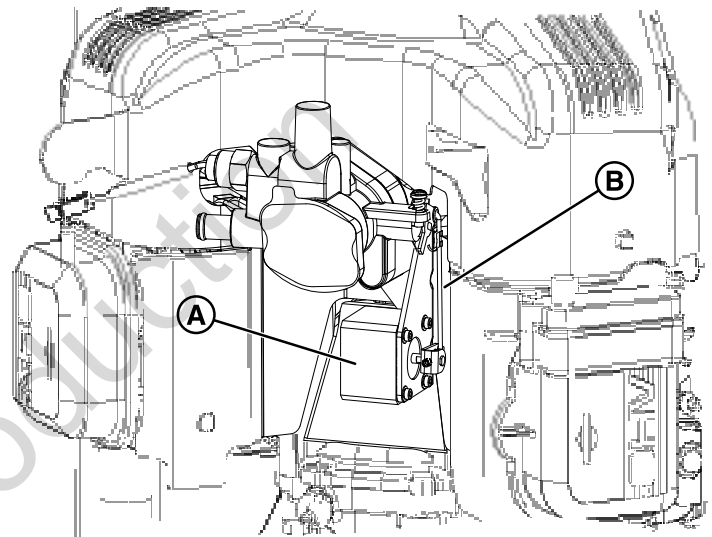
Le système de régulateur électronique est composé d'un moteur pas à pas (A) et de tringleries de commande de vitesse du moteur pas à pas (B). Le tableau de commande contient un contrôleur numérique qui traite l'information sur

la vitesse du moteur et envoie les commandes appropriées au moteur pas-à-pas pour commander la position du levier d'accélérateur.

Puisque le système de régulation électronique commande l'accélérateur du moteur en se basant sur la charge de la génératrice, les codes de service suivants ou les conditions suivantes peuvent être liés à un problème du système de régulation électronique :

- Le moteur ne démarre pas
- Survitesse
- Sous-fréquence
- Commande du moteur sans charge instable

Lors du dépannage de l'une ou l'autre de ces conditions, il est possible de lancer une vérification du système de régulation électronique par le biais du tableau de commande – Test d'actionneur.



Vérification du régulateur électronique

La génératrice comporte une fonction de vérification du régulateur électronique qui met le moteur pas-à-pas en marche et déplace la tringlerie d'accélérateur dans le sens des aiguilles d'une montre et en sens inverse des aiguilles d'une montre dans les limites de l'accélérateur. Le test fera tourner le moteur pas-à-pas et déplacer le bras d'accélérateur entre les limites du régime maximal et de l'arrêt jusqu'à 10 fois. Cela permettra de vérifier visuellement que le moteur pas-à-pas fonctionne correctement et que les tringleries de commande sont connectées. Le moteur n'essaie pas de démarrer pendant ce test. Si le moteur pas-à-pas ne bouge pas ou si une tringlerie se coince, alors un entretien est nécessaire.

AVIS Si le moteur pas-à-pas ne bouge pas, s'assurer que le connecteur du moteur pas-à-pas est fixé.

Entretien des bougies

AVERTISSEMENT

Une production involontaire d'étincelles peuvent provoquer un feu ou un choc électrique entraînant la mort ou de graves lésions.

LORS DU RÉGLAGE OU DES RÉPARATIONS DE VOTRE GÉNÉRATRICE

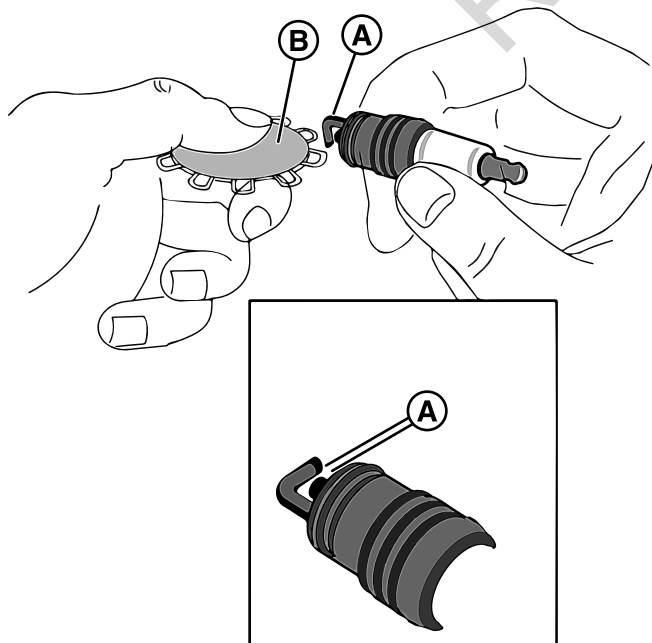
- Débrancher le câble de bougie de la bougie et le placer à un endroit où il ne peut pas entrer en contact avec la bougie.

LORS DE TESTS D'ALLUMAGE DU MOTEUR

- Utiliser un vérificateur de bougies d'allumage approuvé.
- NE PAS vérifier l'allumage lorsque la bougie d'allumage est enlevée.

Le remplacement des bougies facilite le démarrage du moteur et améliore son fonctionnement.


1. Pousser l'interrupteur MARCHE/ARRÊT situé sur le côté de la génératrice en position « ARRÊT » (0).
2. Couper l'alimentation électrique de la génératrice pour mettre le chargeur de batterie hors tension.
3. Retirer la paroi supérieure.
4. Retirer le fusible de 15 A du porte-fusible situé en haut du boîtier de commande.
5. Retirer le panneau avant.
6. Débrancher le câble négatif (-) de la batterie.
7. Nettoyer la surface entourant les bougies.
8. Enlevez la bougie d'allumage et examinez-la.
9. Vérifier l'écartement des électrodes (A) à l'aide d'une jauge d'épaisseur (B) et l'ajuster selon les spécifications recommandées au besoin (voir la rubrique *Spécifications du moteur* à la fin de ce manuel).



10. Remplacer les bougies si les électrodes sont piquées ou brûlées ou si la porcelaine est fissurée. Utiliser les bougies de remplacement recommandées (voir la rubrique *Spécifications du moteur* à la fin de ce manuel).
11. Installer les bougies et les serrer à un couple de 180 po-lb (20 Nm).
12. Brancher le câble négatif (-) à la batterie.
13. Installer le panneau avant.
14. Installer le fusible de 15 A dans le porte-fusible situé en haut du boîtier de commande.
15. Installer la paroi supérieure.
16. Rétablir l'alimentation électrique à la génératrice.
17. Pousser l'interrupteur MARCHE/ARRÊT sur le côté de la génératrice en position « MARCHE » (I).
18. Régler le mode de la génératrice à AUTOMATIQUE (AUTO).

Filtre à air du moteur

AVERTISSEMENT

 Les évaporations gazeuses sont extrêmement inflammables et explosives. Un incendie ou une explosion peut provoquer des brûlures graves voire la mort.

- Ne jamais démarrer ou faire fonctionner le moteur lorsque le dépollueur (si la tondeuse en est équipée) ou le filtre à air (si la tondeuse en est équipée) est retiré.

1. Pousser l'interrupteur MARCHE/ARRÊT situé sur le côté de la génératrice en position « ARRÊT » (0).
2. Couper l'alimentation électrique de la génératrice pour mettre le chargeur de batterie hors tension.
3. Retirer la paroi supérieure.
4. Retirer le fusible de 15 A du porte-fusible situé en haut du boîtier de commande.
5. Retirer le panneau avant.
6. Débrancher le câble négatif (-) de la batterie.
7. Retirer l'élément filtrant.
8. Nettoyer le tube de sortie et vérifier la soupape de décompression de poussières (le cas échéant). - Utiliser un linge propre pour essuyer la surface de scellement du filtre ainsi que les surfaces du tube de sortie. S'assurer que tous les contaminants sont retirés avant d'insérer le nouveau filtre. Ne pas endommager la zone de scellement du tube. Inspecter et presser la soupape de décompression de poussières fixée au couvercle d'entretien en veillant à ce qu'elle soit flexible et qu'elle ne soit pas inversée, endommagée ou obstruée.
9. Nettoyer le filtre. - Utiliser une brosse à poils souples et un aspirateur pour déloger les saletés et les débris. Remplacer l'élément filtrant s'il présente des trous.
10. Installer adéquatement un filtre propre. - Insérer le filtre soigneusement. Placer le filtre à la main. Veiller à ce qu'il

repose complètement dans le boîtier du filtre à air avant de mettre le couvercle en place.

11. Installer le couvercle d'entretien. - S'assurer que toutes les bandes de montage, toutes les attaches, tous les boulons et toutes les connexions du système de filtre à air sont bien serrés et qu'il n'y a pas de trous dans la tuyauterie. Les réparer au besoin.
12. Brancher le câble négatif (-) à la batterie.
13. Installer le panneau avant.
14. Installer le fusible de 15 A dans le porte-fusible situé en haut du boîtier de commande.
15. Installer la paroi supérieure.
16. Rétablir l'alimentation électrique à la génératrice.
17. Pousser l'interrupteur MARCHE/ARRÊT sur le côté de la génératrice en position « MARCHE » (I).
18. Régler le mode de la génératrice à AUTOMATIQUE (AUTO).

Entretien du système d'échappement



Tout contact avec la zone du silencieux peut causer des brûlures risquant de provoquer des blessures graves.

- NE PAS toucher aux pièces chaudes et ÉVITER le contact avec les gaz d'échappement.
- Laisser l'équipement refroidir avant de toucher.

Lors de l'inspection du système d'échappement, vérifiez les éléments suivants :

- Inspecter le collecteur d'échappement à la culasse pour la présence de fuites.
- Vérifier si tous les boulons de retenue et les dispositifs de protection (le cas échéant) sont en place.
- Inspecter les attaches entre le collecteur et le tuyau d'échappement et s'assurer qu'ils sont bien serrés et qu'il n'y a aucune fuite d'échappement. Réparer au besoin.
- Vérifiez s'il y a des fuites à la connexion du tuyau d'échappement. Réparer au besoin.

L'utilisation ou le fonctionnement du moteur sur des terrains forestiers, broussailleux ou herbeux constituent une violation de la Section 4442 du Code des ressources publiques de Californie, à moins que le système d'échappement ne soit équipé d'un pare-étincelles, comme le définit la section 4442, maintenu en bon état de marche. D'autres États ou juridictions fédérales peuvent avoir des lois similaires; consulter le Règlement fédéral 36 CFR, section 261.52.

Entretien du circuit d'alimentation



AVERTISSEMENT



Le gaz propane et le gaz naturel sont extrêmement inflammables et explosifs et pourraient causer des brûlures, un incendie ou une explosion qui pourraient provoquer des blessures graves, voire la mort.

- Inspecter le système de carburant périodiquement.
- Il ne peut y avoir AUCUNE fuite.
- NE PAS utiliser le moteur en présence d'une odeur de carburant.

Régulateur de pression

Les composants du régulateur de pression ont été conçus et calibrés spécifiquement afin de satisfaire aux exigences du circuit d'alimentation du moteur.

Un régulateur qui ne fonctionne pas ou qui présente une fuite doit être réparé ou remplacé avec les pièces de remplacement recommandées du fabricant d'équipement. Lors de l'inspection du régulateur, vérifier les éléments suivants :

- Vérifiez si des fuites sont présentes à l'admission et aux raccords de sortie.
- Vérifiez si des fuites sont présentes dans le régulateur.
- S'assurer que le régulateur est installé adéquatement et que les boulons de montage sont bien serrés.
- Vérifiez la présence de dommages externes au régulateur.

Dispositif de contrôle du diffuseur/accélérateur

Les composants du mélangeur et du corps de papillon ont été conçus et étalonnés spécifiquement afin de satisfaire aux exigences du système de carburant du moteur.

Un filtre à air sale peut nuire considérablement au rendement du diffuseur. Veiller à ce que le filtre à air soit propre. Lors de l'inspection du mélangeur et du corps de papillon, vérifier les éléments suivants :

- Vérifier la présence de fuites sur tous les raccords.
- S'assurer que le corps de la manette des gaz et le diffuseur sont solidement montés.
- Inspecter et nettoyer le filtre à air conformément aux intervalles d'entretien recommandés indiqués sur le tableau d'entretien.
- Inspectez la connexion du tuyau d'admission d'air et la bride. Inspecter pour déceler la présence de fissures, de séparation ou de hachure sur le tuyau. Remplacer au besoin.
- Inspecter pour déceler la présence éventuelle de fissures, de séparation ou de hachures sur les conduites de carburant. Remplacer au besoin.
- Vérifiez s'il y a des fuites sur le dispositif de poussée et le collecteur d'admission.

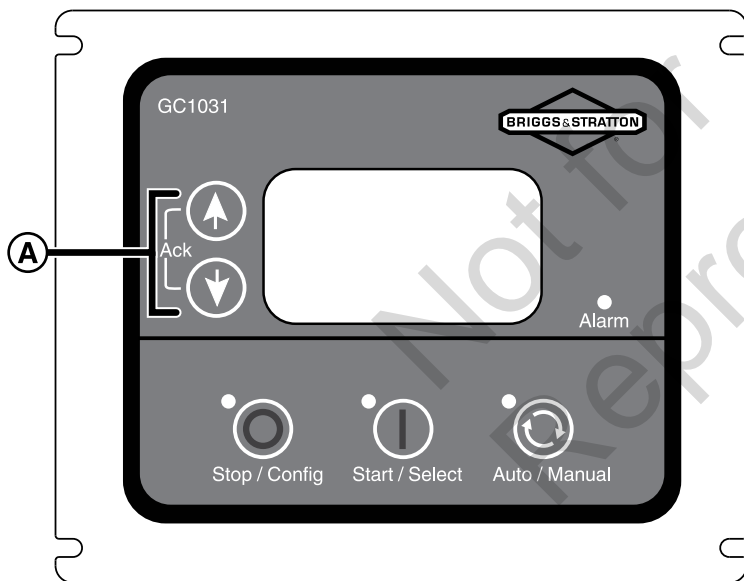
Alarmes (système de détection des codes de défaillance)

La génératrice fonctionnera pendant de longues périodes sans la présence d'un opérateur. C'est pourquoi le système est muni de capteurs qui arrêtent automatiquement la génératrice lorsque surviennent des problèmes potentiels, tels une faible pression de l'huile, une température élevée, l'emballement du moteur et d'autres conditions.

L'affichage du tableau de commande de la génératrice indique la description des alarmes. Les descriptions des alarmes de défaillance sont énumérées dans la section « Alarmes » dans le manuel en ligne « Instructions d'utilisation du contrôleur GENSET GC1031 » (numéro de pièce 80086364).

Confirmer et réinitialiser les alarmes (Système de détection des codes de défaillance)

Appuyer simultanément sur les flèches vers le haut et vers le bas (A) pour réinitialiser l'alarme.



Entretien du système électrique de la génératrice

Câblage et connexion

Le système électrique de la génératrice incorpore des ordinateurs pour contrôler divers composants. Les connexions du système électrique et les circuits de mise à la terre exigent de bonnes connexions. Lors de l'inspection du système électrique, vérifiez les éléments suivants :

- Vérifier si les câbles de batterie positif (+) et négatif (-) présentent des signes de corrosion, de frottement,

d'usure et de brûlure et s'assurer que les branchements sont bien serrés aux deux extrémités.

- Vérifier si le boîtier de la batterie présente des fissures ou d'autres dommages. Remplacer au besoin.
- Vérifier si le faisceau de câbles du moteur présente des signes de frottement, d'usure, de pincement, de brûlure, de fissures ou de bris au câblage.
- S'assurer que les connecteurs de faisceau du moteur sont adéquatement verrouillés.
- Inspecter les câbles de la bobine d'allumage pour voir s'ils présentent des signes de durcissement, de fissures, de frottement, de brûlures et de séparation et vérifier que les couvercles ne sont pas fendus.
- Inspecter les bougies d'allumage pour voir si elles présentent des signes de durcissement, de fissures, de frottement, de brûlure et de séparation et vérifier que les couvercles ne sont pas fendus.
- Remplacer les bougies d'allumage aux intervalles mentionnés dans le tableau d'entretien.
- S'assurer que tous les composants électriques sont solidement fixés au moteur ou au châssis.
- S'assurer que tout service électrique additionnel ajouté par le propriétaire est convenablement installé dans le système.

Entretien de la batterie

L'entretien des batteries doit être effectué ou supervisé par un personnel qualifié en matière de batteries et de précautions à prendre. Garder le personnel non autorisé à l'écart des batteries.




AVERTISSEMENT



Le fluide électrolyte de la batterie contient un acide et est extrêmement corrosif. Tout contact avec les composants de la batterie peut causer de graves brûlures chimiques.


- NE PAS tenter d'ouvrir ou de mutiler la batterie
- Porter des lunettes de sécurité ainsi qu'un tablier, des bottes et des gants en caoutchouc.
- Laver immédiatement la peau avec de l'eau pour enlever l'électrolyte.
- Si l'électrolyte entre en contact avec les yeux, laver immédiatement avec de l'eau et obtenir de l'aide médicale.
- Tout électrolyte déversé doit être lessivé avec un agent neutralisant d'acide.

 **AVERTISSEMENT**

 Lors de l'entreposage et de la recharge, les batteries dégagent du gaz d'hydrogène. La plus petite étincelle pourrait enflammer l'hydrogène et causer une explosion risquant d'entraîner des blessures graves, voire la mort.

- NE PAS jeter la batterie dans un feu. Recycler la batterie.
- NE PAS permettre de flamme nue, d'étincelle, de chaleur, de tison de cigarette au cours et plusieurs minutes après la recharge de la batterie.

 **AVERTISSEMENT**

 Une batterie présente un risque de haute tension lors d'un court-circuit.

- Enlever vos montres, bagues et autres objets métalliques.
 - Utiliser des outils dont les poignées sont isolées.
 - Déconnecter la source de chargement avant de connecter ou de déconnecter les bornes de la batterie.
 - Ne pas placer d'outils ou de pièces métalliques sur les batteries.
 - Déconnecter le câble négatif (-) de la batterie lors d'installation ou d'entretien.
1. Pousser l'interrupteur MARCHE/ARRÊT situé sur le côté de la génératrice en position « ARRÊT » (0).
 2. Couper l'alimentation électrique de la génératrice pour mettre le chargeur de batterie hors tension.
 3. Retirer la paroi supérieure.
 4. Retirer le fusible de 15 A du porte-fusible situé en haut du boîtier de commande.
 5. Retirer le panneau avant.
 6. Débrancher le câble négatif (-) de la batterie.
 7. Débrancher le câble positif (+) de la batterie.
 8. Entretenir ou remplacer la batterie au besoin.
 9. Brancher le câble positif (+) à la batterie.
 10. Brancher le câble négatif (-) à la batterie.
 11. Installer le panneau avant.
 12. Installer le fusible de 15 A dans le porte-fusible situé en haut du boîtier de commande.
 13. Installer la paroi supérieure.
 14. Rétablir l'alimentation électrique à la génératrice.
 15. Pousser l'interrupteur MARCHE/ARRÊT sur le côté de la génératrice en position « MARCHE » (I).
 16. Régler le mode de la génératrice à AUTOMATIQUE (AUTO).

Remplacement de la batterie

1. Pousser l'interrupteur MARCHE/ARRÊT situé sur le côté de la génératrice en position « ARRÊT » (0).
2. Couper l'alimentation électrique de la génératrice pour mettre le chargeur de batterie hors tension.
3. Retirer la paroi supérieure.
4. Retirer le fusible de 15 A du porte-fusible situé en haut du boîtier de commande.
5. Retirer le panneau avant.
6. Débrancher le câble négatif (-) de la batterie.
7. Débrancher le câble positif (+) de la batterie.
8. Enlever la batterie existante et installer la batterie de remplacement.



NE PAS POLLUER. PRÉSERVEZ LES RESSOURCES. RETOURNER LA BATTERIE USÉE À UN CENTRE DE RECYCLAGE.

9. Brancher le câble positif (+) à la batterie.
10. Brancher le câble négatif (-) à la batterie.
11. Installer le panneau avant.
12. Installer le fusible de 15 A dans le porte-fusible situé en haut du boîtier de commande.
13. Installer la paroi supérieure.
14. Rétablir l'alimentation électrique à la génératrice.
15. Pousser l'interrupteur MARCHE/ARRÊT sur le côté de la génératrice en position « MARCHE » (I).
16. Régler le mode de la génératrice à AUTOMATIQUE (AUTO).

Recharge de la batterie

S'il faut charger la batterie, procéder comme suit :

1. Pousser l'interrupteur MARCHE/ARRÊT situé sur le côté de la génératrice en position « ARRÊT » (0).
2. Couper l'alimentation électrique de la génératrice pour mettre le chargeur de batterie hors tension.
3. Retirer la paroi supérieure.
4. Retirer le fusible de 15 A du porte-fusible situé en haut du boîtier de commande.
5. Retirer le panneau avant.
6. Débrancher le câble négatif (-) de la batterie.

AVIS Ne pas débrancher le câble négatif de la batterie peut entraîner une défaillance de l'équipement. NE PAS essayer de faire démarrer la génératrice à l'aide d'une batterie d'appoint. Tout dommage à l'équipement résultant du non-respect de cette instruction annulera la garantie du moteur et de la génératrice.

7. Recharger la batterie avec le chargeur de batterie à deux (2) A jusqu'à obtention de la tension de 12 volts. NE PAS charger la batterie à plus de 13,7 volts.

AVIS NE PAS utiliser un générateur de renforcement de la charge de la batterie pour charger rapidement une batterie faible.

8. Brancher le câble négatif (-) à la batterie.
9. Installer le panneau avant.
10. Installer le fusible de 15 A dans le porte-fusible situé en haut du boîtier de commande.
11. Installer la paroi supérieure.
12. Rétablir l'alimentation électrique à la génératrice.
13. Pousser l'interrupteur MARCHE/ARRÊT sur le côté de la génératrice en position « MARCHE » (I).
14. Régler le mode de la génératrice à AUTOMATIQUE (AUTO).

Not for
Reproduction

Dépannage

dans le manuel en ligne « Instructions d'utilisation du contrôleur GENSET GC1031 » (numéro de pièce 80086364).

Les descriptions des alarmes de défaillance et leurs causes sont énumérées dans le tableau de la section « Alarmes »

Dépannage

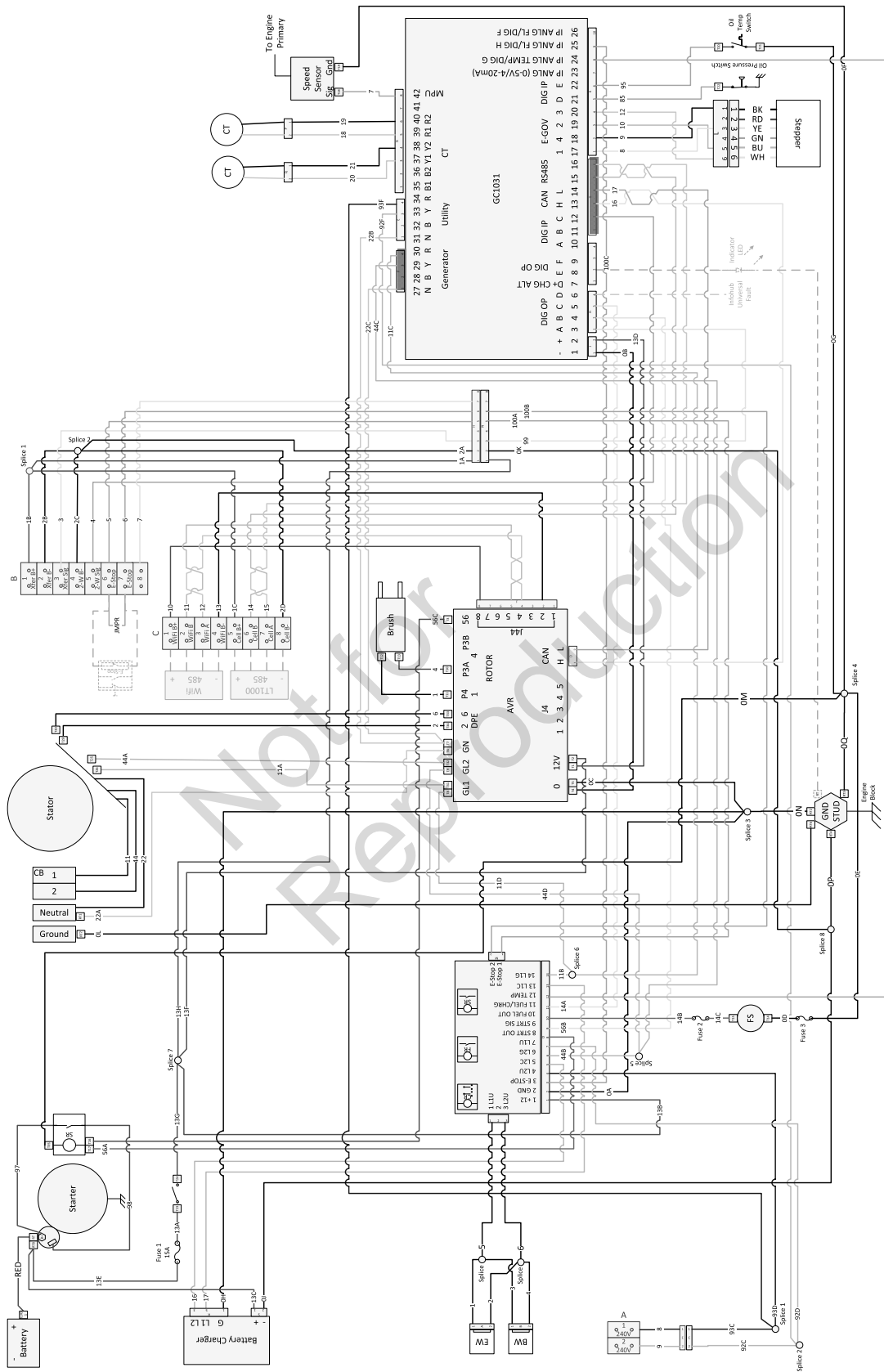
PROBLÈME	CAUSE	CORRECTION
Le moteur fonctionne, mais il n'y a aucune sortie de CA.	<ol style="list-style-type: none"> 1. Disjoncteur ouvert ou défectueux. 2. Alarme dans le tableau de commande de la génératrice. 3. Raccords du câblage mal effectués ou commutateur convertisseur défectueux. 	<ol style="list-style-type: none"> 1. Réarmez ou remplacez le disjoncteur. 2. Se référer à la section <i>Alarmes</i> du manuel en ligne « Instructions d'utilisation du contrôleur GENSET GC1031 » (numéro de pièce 80086364). Contacter un centre local de service. 3. Vérifiez et réparez ou contactez le centre de service local.
Le moteur tourne bien sans charge, mais il connaît des ratés lorsque les charges sont branchées.	<ol style="list-style-type: none"> 1. La génératrice est surchargée. 2. Court-circuit dans une des charges branchées. 3. Court-circuit sur un circuit de la génératrice. 4. Pression ou mélange du carburant incorrect. 5. Ligne de carburant pliée entre le régulateur et le moteur. 6. Filtre à air obstrué. 	<ol style="list-style-type: none"> 1. Enlevez une ou plusieurs charges. 2. Débranchez la charge électrique en court-circuit. 3. Contacter un centre local de service. 4. Consulter <i>Système de carburant gazeux</i> dans ce manuel. 5. Défaire le pli. Remplacer si nécessaire. 6. Nettoyez ou remplacez le filtre à air.
Le moteur ne démarre pas ou il démarre et connaît des ratés.	<ol style="list-style-type: none"> 1. Fusible de 15 A manquant ou grillé. 2. Fusible(s) thermique(s) grillé(s). 3. Alimentation en carburant fermée ou épuisée. 4. Mauvaise sélection du carburant. 5. Batterie défectueuse. 6. Filtre à air obstrué. 7. Grippage de la tringlerie des gaz 	<ol style="list-style-type: none"> 1. Installez un fusible (neuf) de 15 A. Consulter <i>Tableau de commande du système</i>. 2. Remplacer les fusibles thermiques. 3. Ouvrez la(les) vanne(s) de carburant; vérifiez le réservoir de gaz propane. 4. Vérifiez le sélecteur de carburant et réglez correctement. (le cas échéant) 5. Changer la batterie. 6. Nettoyez ou remplacez le filtre à air. 7. Vérifier la tringlerie.
Le moteur s'arrête lorsqu'il est en marche.	<ol style="list-style-type: none"> 1. Alimentation en carburant fermée ou épuisée. 2. L'affichage numérique du tableau de commande indique une alarme. 	<ol style="list-style-type: none"> 1. Vérifiez les vannes de carburant; remplissez le réservoir de gaz propane. 2. Se référer à la section <i>Alarmes</i> du manuel en ligne « Instructions d'utilisation du contrôleur GENSET GC1031 » (numéro de pièce 80086364).
Perte de puissance sur les circuits.	<ol style="list-style-type: none"> 1. Disjoncteur ouvert sur la génératrice. 2. Problèmes au niveau du commutateur de transfert. 	<ol style="list-style-type: none"> 1. Réarmer le disjoncteur. 2. Voir le manuel du commutateur de transfert.
L'appareil ne fonctionne pas.	<ol style="list-style-type: none"> 1. Le tableau de commande n'est pas réglé à AUTO. 2. La minuterie d'exercice n'est pas réglée où est réglée à ARRÊT. 3. La date et l'heure de l'appareil ne sont pas réglées. 4. Batterie défectueuse. 5. Fusible de 15 A manquant ou grillé. 	<ol style="list-style-type: none"> 1. Sur le tableau de commande, appuyer sur le bouton AUTO. 2. Réglez la minuterie de cycle d'exercice. 3. Réglez la date et l'heure de l'appareil. 4. Remplacer la batterie. 5. Installer un fusible neuf de 15 A. Consulter <i>Tableau de commande du système</i>.
Vibration excessive	<ol style="list-style-type: none"> 1. Raccords mécaniques lâches. 	<ol style="list-style-type: none"> 1. Vérifiez et réparez ou contactez le centre de service local.
Odeur d'essence	<ol style="list-style-type: none"> 1. Fuites d'essence. 	<ol style="list-style-type: none"> 1. Fermez le robinet de fermeture à commande manuelle du carburant. Contacter un centre local de service.

L'alimentation de service revient, l'appareil ne s'arrête pas	<ol style="list-style-type: none"> 1. Fusible grillé dans le commutateur de transfert. 2. Refroidissement de 5 minutes non écoulées. 3. Raccords du câblage mal effectués ou contrôleur défectueux. 	<ol style="list-style-type: none"> 1. Installez des fusibles (neufs). 2. Attendez 5 minutes. 3. Vérifiez et réparez ou contactez le centre de service local.
Problèmes possibles en mode MANUEL (MANUAL).	Consulter le Tableau 7 (Défaillances courantes et mesures correctives) du manuel en ligne « Instructions d'utilisation du contrôleur GENSET GC1031 » (numéro de pièce 80086364).	
Problèmes possibles en mode AUTO	Consulter le Tableau 7 (Défaillances courantes et mesures correctives) du manuel en ligne « Instructions d'utilisation du contrôleur GENSET GC1031 » (numéro de pièce 80086364).	
Problèmes possibles avec le régulateur électronique	Consulter le Tableau 7 (Défaillances courantes et mesures correctives) du manuel en ligne « Instructions d'utilisation du contrôleur GENSET GC1031 » (numéro de pièce 80086364).	

Not for
Reproduction

Diagrammes et schémas

Diagramme de câblage



Spécifications

Spécifications de la génératrice : 12 kW

Intensité de charge nominale maximale* (à 25 °C/77 °F, PL)* : à 240 V	50 A
Tension nominale CA	120/240 volts
Phase	Monophasé
Fréquence nominale	60 hertz
Disjoncteur de la génératrice	60 A
Plage d'utilisation normale	De -20 °F (-28,8 °C) à 104 °F (40 °C)
Niveau sonore en sortie	72,3 dB(A) à 7 m (23 pi) avec charge normale
Poids d'expédition	318 lb (144 kg)

*La valeur nominale du gaz naturel dépend du carburant utilisé, mais, généralement, est réduite de 10 % à 20 % de la valeur nominale du gaz de PL.

Spécifications du moteur

Cylindrée	38,26 ci. (627 cc)
Alésage	2,972 po (75,5 mm)
Course	2,756 po (70 mm)
Écartement des électrodes de bougie	0,020 po (0,51 mm)
Couple de serrage de bougie	180 lb-po (20 Nm)
Entrefer armature/carcasse	0,008 - 0,012 po (0,20 - 0,30 mm)
Jeu de soupape d'admission	0,004 - 0,006 po (0,10 - 0,15 mm)
Jeu de soupape d'échappement	0,007 - 0,009 po (0,18 - 0,23 mm)
Type d'huile	Synthétique (5W30)
Volume maximal d'huile (avec filtre)	De 42 à 45 oz (de 1,24 l à 1,33 l)

Not for
Reproduction

Not for
Reproduction

Not for
Reproduction